

SUFFICIENT SAFETY DISTANCE TO ROAD FOR PLAYGROUND LOCATION TO ALIGN WITH BEST PRACTICE DESIGN AND SAFETY. MOVING INTO THIS ZONE WILL REQUIRE FENCING THAT RISKS ENTRAPMENT ISSUES FOR YOUNG CHILDREN

DISTANCE TO PROPOSED LIGHT POLE

AUSTRALIAN STANDARD - AS1428.1 - DESIGN FOR ACCESS & MOBILITY -

- 1.4.5 - **CIRCULATION SPACE** - CLEAR UNOBSTRUCTED AREA, TO ENABLE PERSONS USING MOBILITY AIDS TO MANOUVRE.
- 1.4.6 - **CONTINUOUS ACCESSIBLE PATH OF TRAVEL** - UNINTERRUPTED PATH OF TRAVEL TO, INTO A BUILDING PROVIDING ACCESS.
- 1.4.7 - **ENCROACHMENT** - THE INTRUSION OF A BUILDING COMPONENT, FIXTURE OR INTO A CONTINUOUS ACCESSIBLE PATH OF TRAVEL OR CIRCULATION SPACE.
- 1.4.9 - **HAZARD** - ANY AREA OR FIXED OBJECT IN OR IMMEDIATELY ADJACENT TO A DIRECTION OF TRAVEL WHICH MAY PLACE PEOPLE AT RISK OR INJURY.

DISTANCE TO EXISTING TREE FOR REMOVAL TO ALLOW FOR A CLEAR BUILDING LINE/ UNOBSTRUCTED PEDESTRIAN THOROUGHFARE

CROSS PLAZA CONNECTION, TABLES AND CHAIRS TO PLAYGROUND BOUNDARY

EXISTING HIGH VOLTAGE AUSGRID LINE ACROSS PLAZA

CLOSE PROXIMITY TO PREVIOUS MALL PLAYGROUND IN OCEAN GROVE

3.5M SERVICE/EMERGENCY VEHICLE ENTRY ZONE

KEY CENTRAL HUB BETWEEN OCEAN GROVE AND CRONULLA PLAZA AS SPECIFIED IN MASTERPLAN/ CONSULTATION.

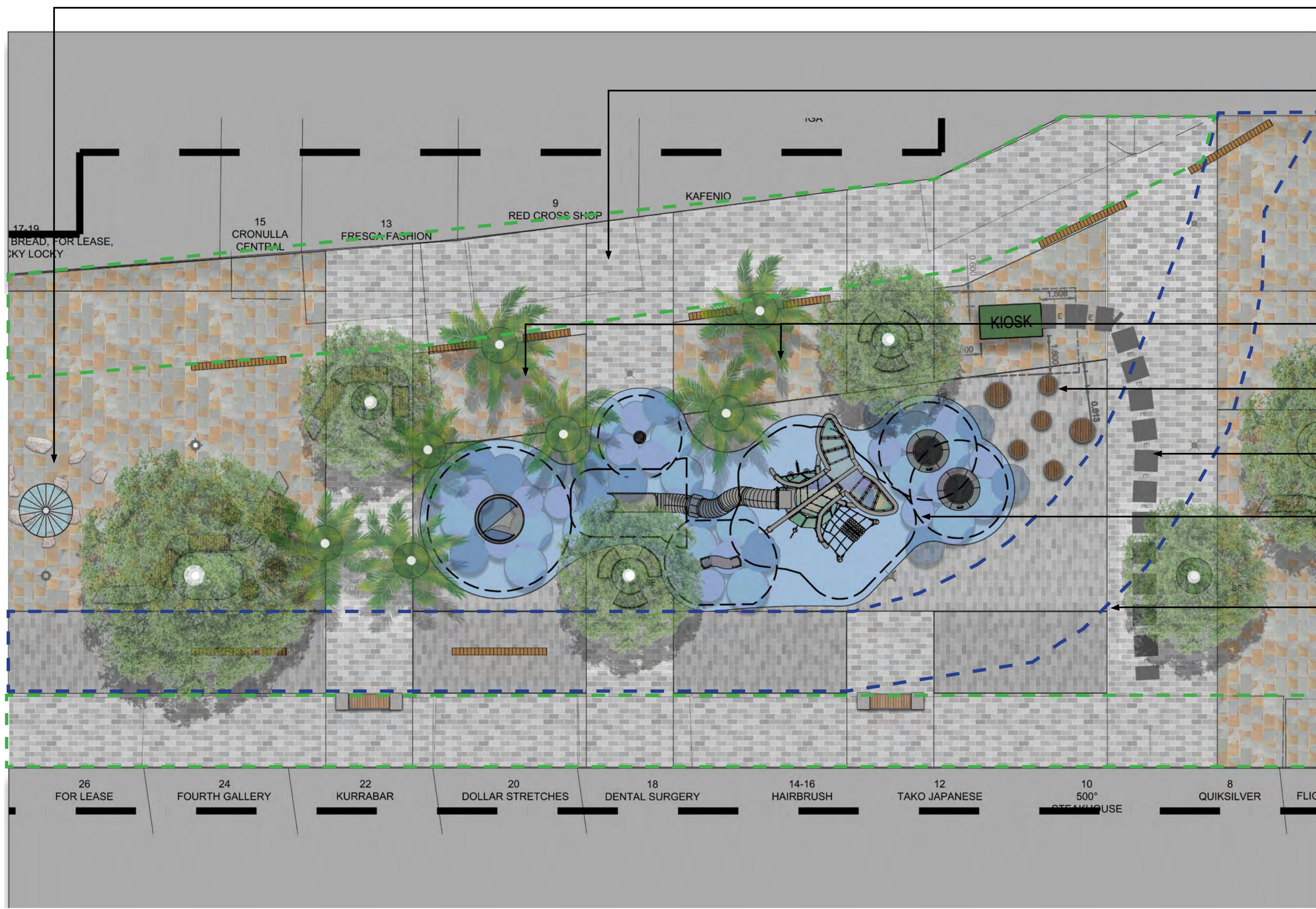
HERITAGE FORECOURT BUILDING IDENTIFIED IN MASTERPLAN/ CONSULTATION TO BANC BUILDING

THIS PLAYGROUND DESIGN ALIGNS WITH THE **EVERYONE CAN PLAY** DESIGN PRINCIPLES:

- CAN I GET THERE?
- CAN I PLAY?
- CAN I STAY?
- CONSIDER THE SITE'S **CONTEXT** AND PLAN TO CELEBRATE THE SPACE'S **UNIQUE QUALITIES**.
- CLEAR SITE LINES FOR **PASSIVE SURVEILLANCE**
- SURFACE COLOUR CONTRAST
- PLAY EQUIPMENT REFLECTS THE **LOCAL ENVIRONMENT** AND INTEGRATES THE PLAYSACE INTO THE **SURROUNDING LANDSCAPE**.



PLAYGROUND SOUTH - OPTION 2



LEGEND

-  PAVING TYPE 1
-  PAVING TYPE 2
-  PAVING TYPE 3
-  PROPOSED DRAINAGE PIT
-  PROPOSED PLAYGROUND
-  PROPOSED FORECOURT ELEMENT
-  PROPOSED CUSTOM FURNITURE
-  PROPOSED TREES
-  PROPOSED PALMS
-  PEDESTRIAN MOVEMENT THROUGH PLAZA
-  SERVICE VEHICLE MOVEMENT

FORECOURT BUILDING IDENTIFIED IN MASTERPLAN/CONSULTATION TO CENTRAL BUILDING

AUSTRALIAN STANDARD - AS1428.1 - DESIGN FOR ACCESS & MOBILITY - 

- 1.4.5 - **CIRCULATION SPACE** - CLEAR UNOBSTRUCTED AREA, TO ENABLE PERSONS USING MOBILITY AIDS TO MANOUVRE.
- 1.4.6 - **CONTINUOUS ACCESSIBLE PATH OF TRAVEL** - UNINTERRUPTED PATH OF TRAVEL TO, INTO A BUILDING PROVIDING ACCESS.
- 1.4.7 - **ENCROACHMENT** - THE INTRUSION OF A BUILDING COMPONENT, FIXTURE OR INTO A CONTINUOUS ACCESSIBLE PATH OF TRAVEL OR CIRCULATION SPACE.
- 1.4.9 - **HAZARD** - ANY AREA OR FIXED OBJECT IN OR IMMEDIATELY ADJACENT TO A DIRECTION OF TRAVEL WHICH MAY PLACE PEOPLE AT RISK OR INJURY.

CROSS PLAZA CONNECTION. TABLES AND CHAIRS TO PLAYGROUND BOUNDARY

CROSS PLAZA CONNECTION. TABLES AND CHAIRS TO PLAYGROUND BOUNDARY

EXISTING HIGH VOLTAGE AUSGRID LINE ACROSS PLAZA

KEY CENTRAL HUB BETWEEN TOWN SQUARE AND CRONULLA PLAZA FOR SPECIAL PRECINCT(PLAYGROUND) AS SPECIFIED IN MASTERPLAN/CONSULTATION.

3.5M SERVICE/EMERGENCY VEHICLE ENTRY ZONE

THIS PLAYGROUND DESIGN ALIGNS WITH THE **EVERYONE CAN PLAY** DESIGN PRINCIPLES:

- CAN I GET THERE?
- CAN I PLAY?
- CAN I STAY?
- CONSIDER THE SITE'S CONTEXT AND PLAN TO CELEBRATE THE SPACE'S **UNIQUE QUALITIES**.
- CLEAR SITE LINES FOR **PASSIVE SURVEILLANCE**
- SURFACE COLOUR CONTRAST
- PLAY EQUIPMENT REFLECTS THE **LOCAL ENVIRONMENT** AND INTEGRATES THE PLAYSPACE INTO THE **SURROUNDING LANDSCAPE**.



PLAYGROUND NORTH

FINAL DESIGN

BINDING APPROVAL

KNS8500488

Coastal Hardy

Mutual agreement for Order purchase. This Design is defined under its own KDS Identification number stated below. All constructional details, dimensions, materials, colours and specifications shown on attached datasheets (plan, side, perspective view + safety zone) are herewith accepted. Changes are no longer possible.

Notwithstanding the aforementioned and without changing the overall design, KDS may in the construction phase, without obtaining approval, perform smaller modifications when deemed beneficial or necessary for the project. All other modifications are subject to prior approval.

Date _____

Signature _____

The Order confirmation and lead time will not start unless signed off responsibly by project coordinator.



Created 31.1.2023

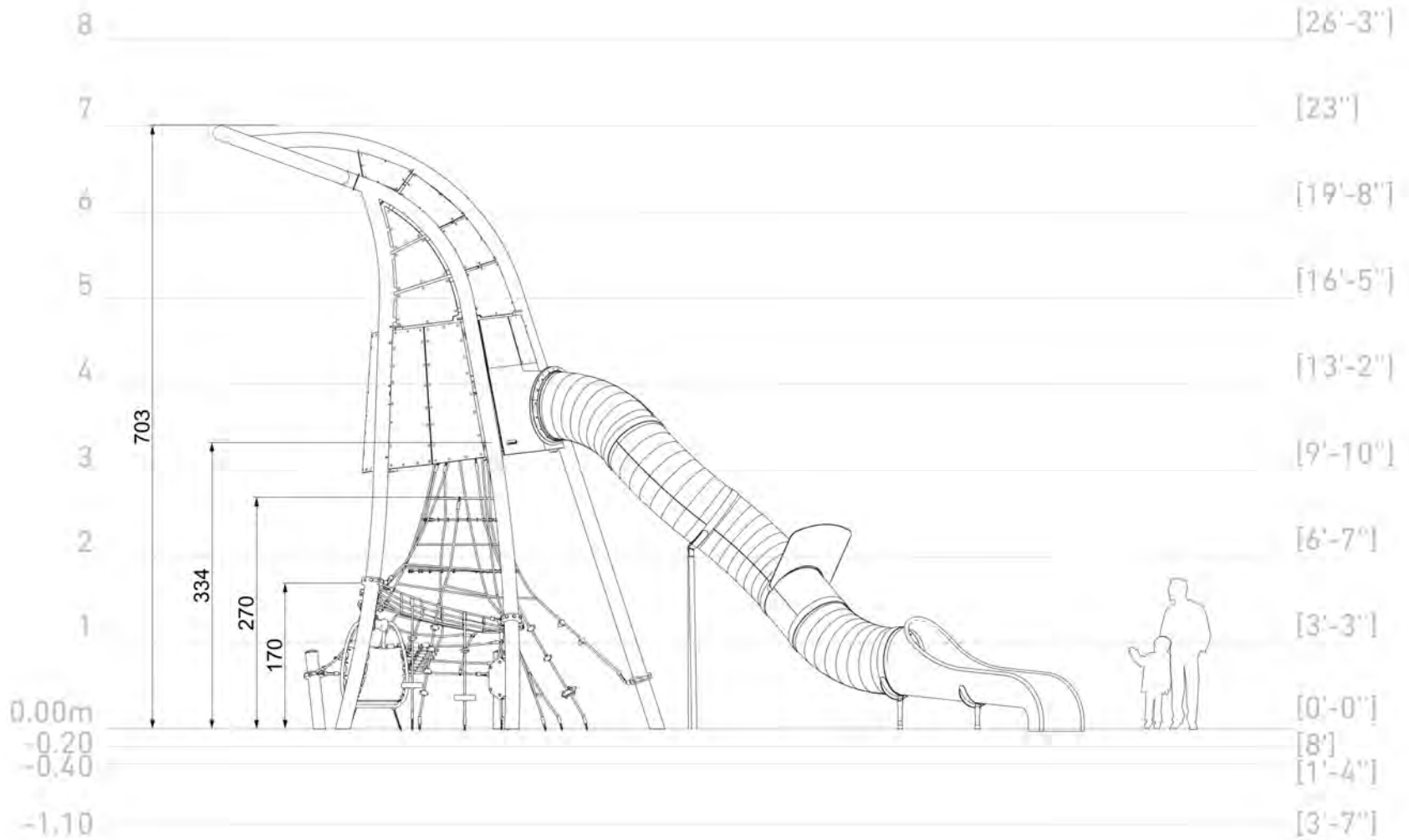
Designer VerHla

Main Dimensions

Max. fall height: 270 cm

Total height: 703 cm

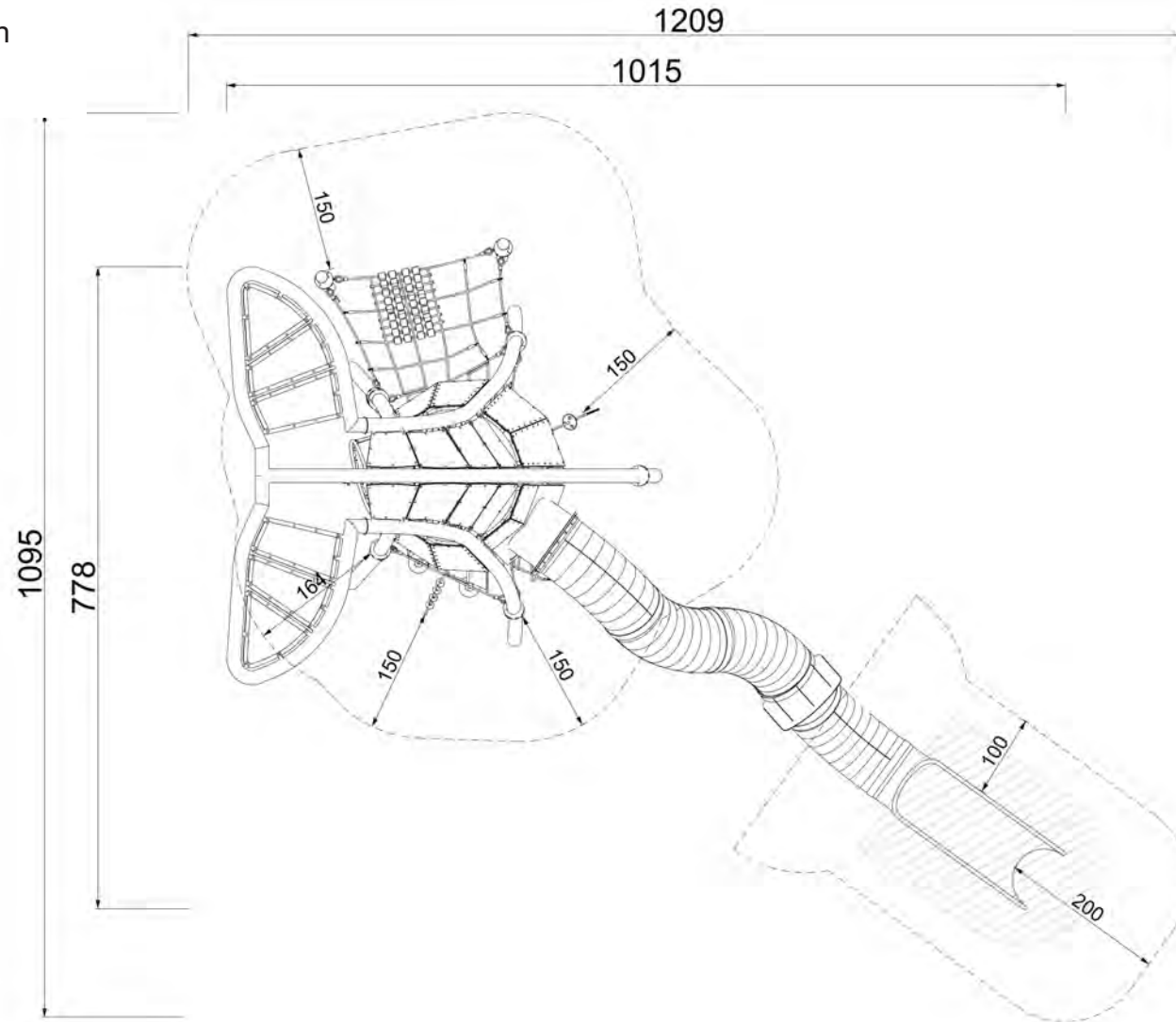
Footing: Surface



Main Dimensions

Safety zone area: 54 m²

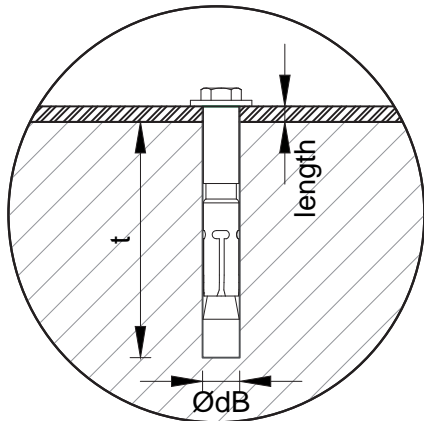
Max. fall height: 270 cm



Check foundation before installation!



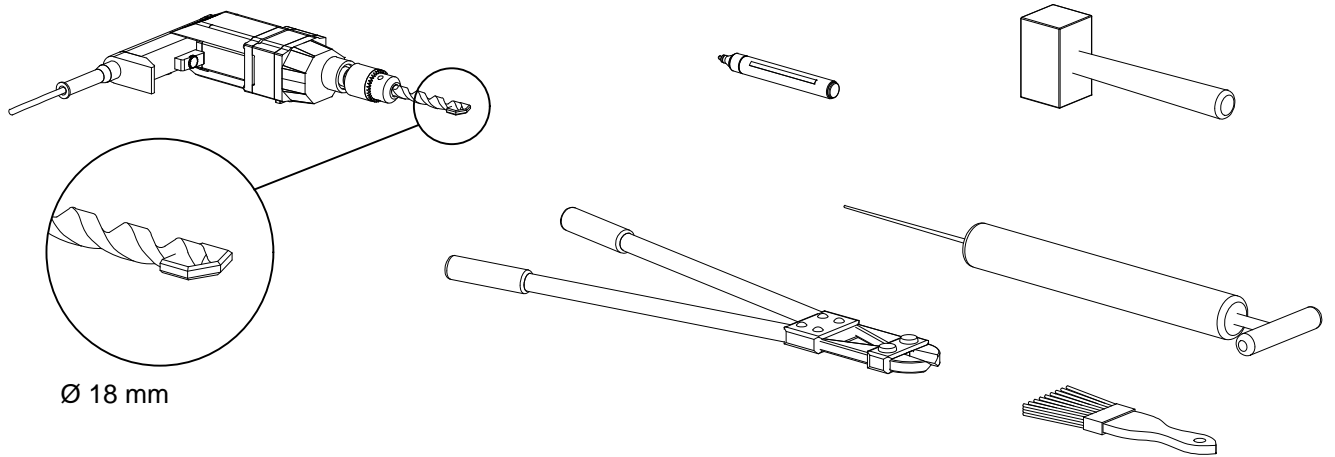
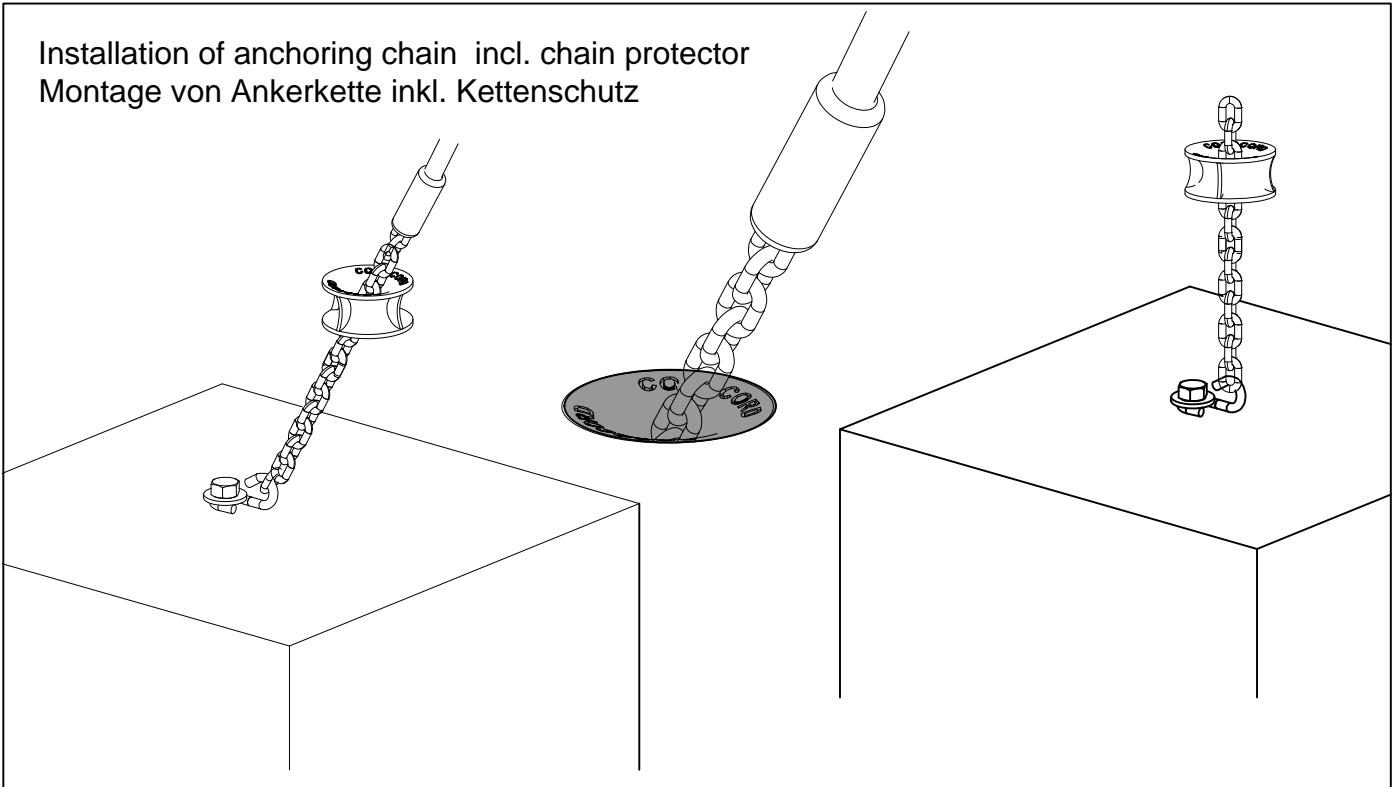
heavy weight anchor Ø/length	bore diameter-Ø dB [mm]	min. drilled hole depth t [mm]
FAZ II M 10/30 (gvz)	10	95
FAZ II M 10/30	10	95
FAZ II M 10/70	10	145
FAZ II M 12/20	12	110
FAZ II M 16/50	16	160
FAZ II M 20/30	20	155
FAZ II M 20/60	20	185



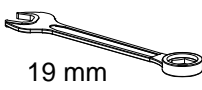
heavy weight anchor Ø/length	bore diameter-Ø dB [mm]	min. drilled hole depth t [mm]
HSL M 8/20	12	80
HSL M 12/20	18	95
HSL M 12/45	18	95
HSL M 16/25	24	120
HSL M 16/50	24	120
HSL M 20/30	28	150
HSL M 20/60	28	150

J:\Konstruktion\15_Montageanleitungen_Wartungshinweise_Hinweisblätter\Hinweisblätter\H 100\H 102 Installation of heavy weight anchor hsl\DWG's\H 102 Installation of heavy weight anchors_rev2.dwg

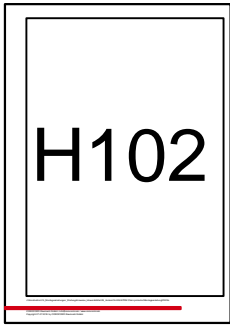
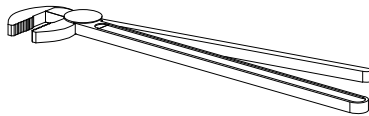
Installation of anchoring chain incl. chain protector
 Montage von Ankerkette inkl. Kettenschutz



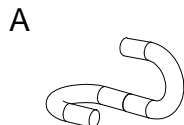
Ø 18 mm



19 mm



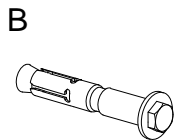
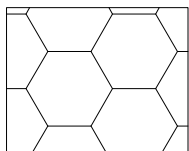
H102



A

A842045-52 (1x)

EPDM



B

400317 (1x)
M12x100

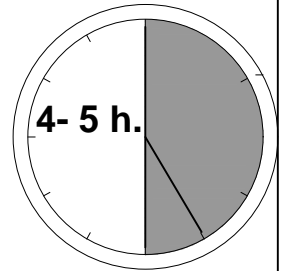
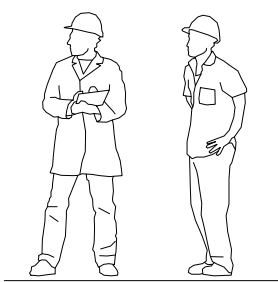


PRIMER



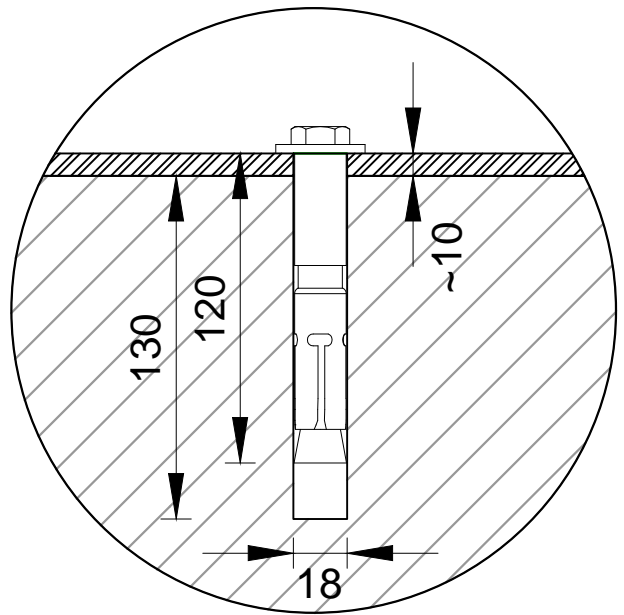
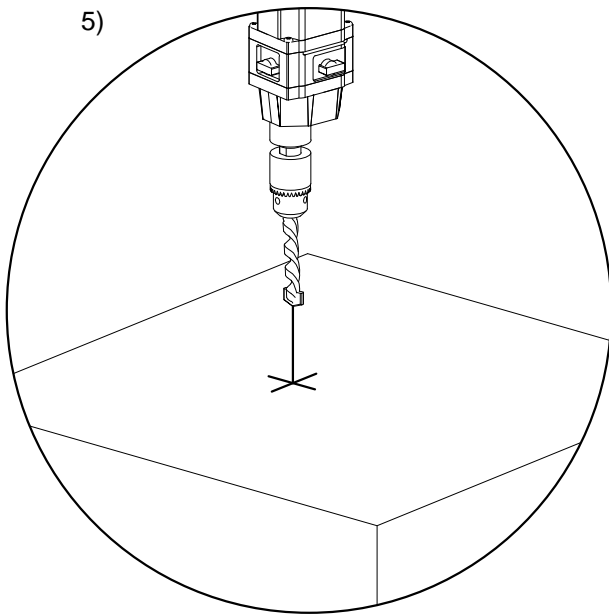
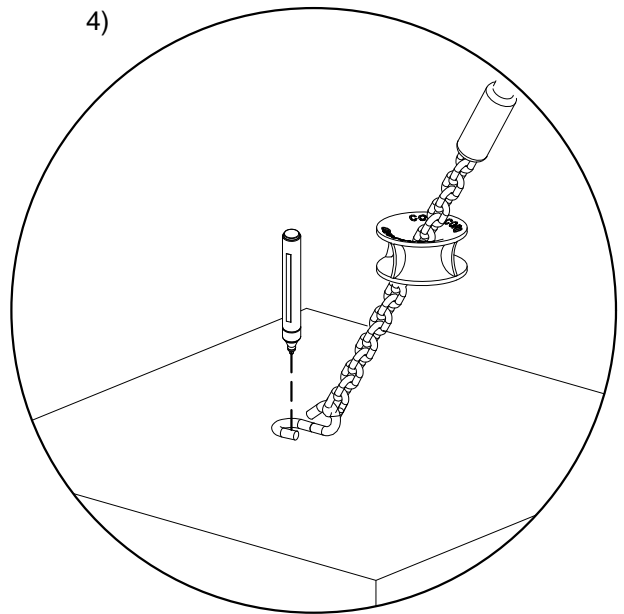
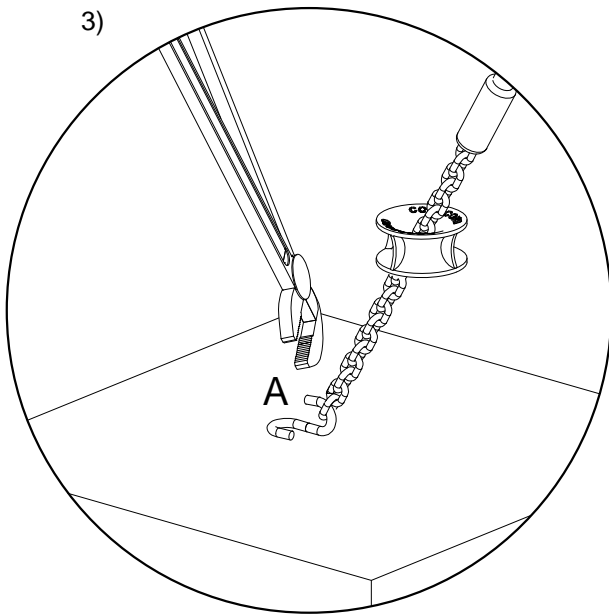
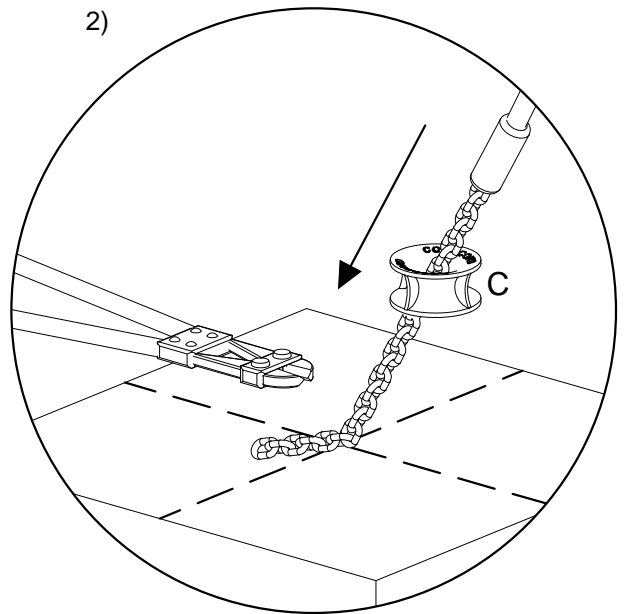
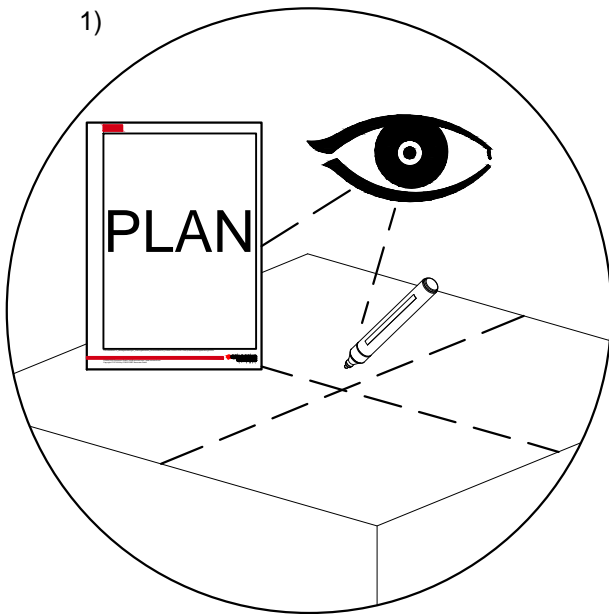
C

A822137-06 (1x)

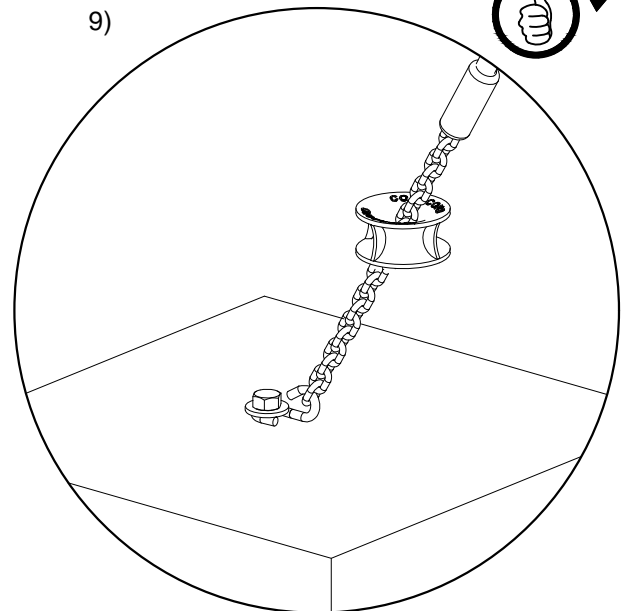
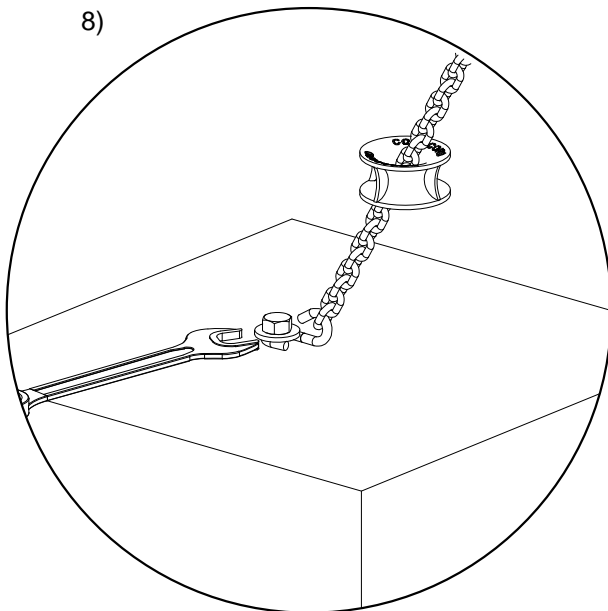
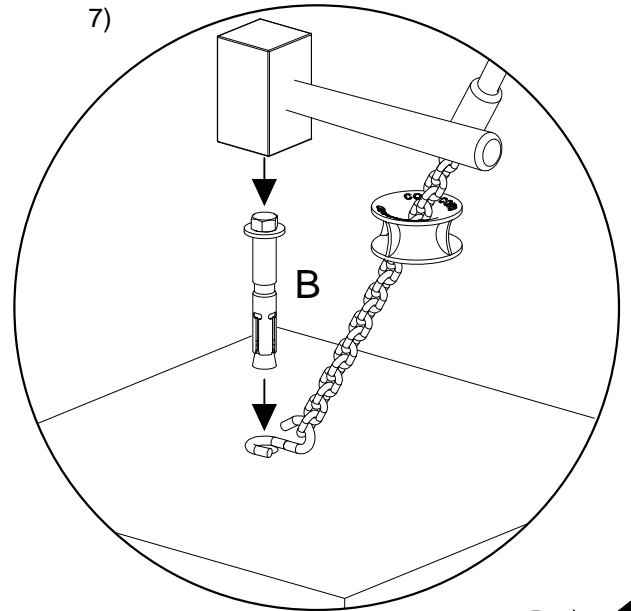
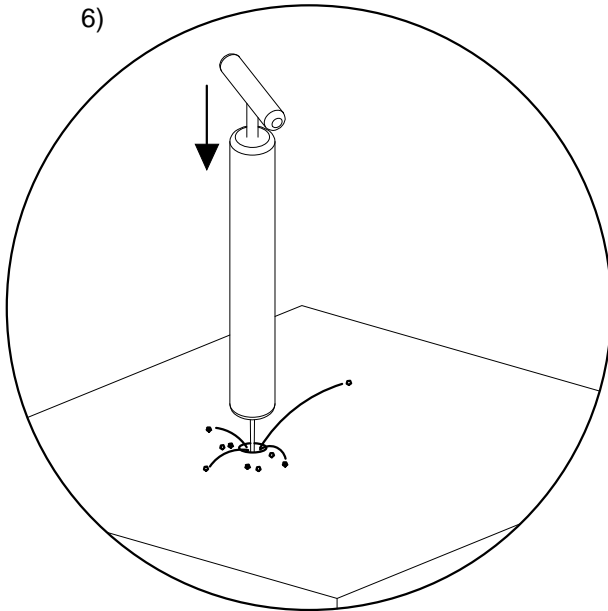


4-5 h.

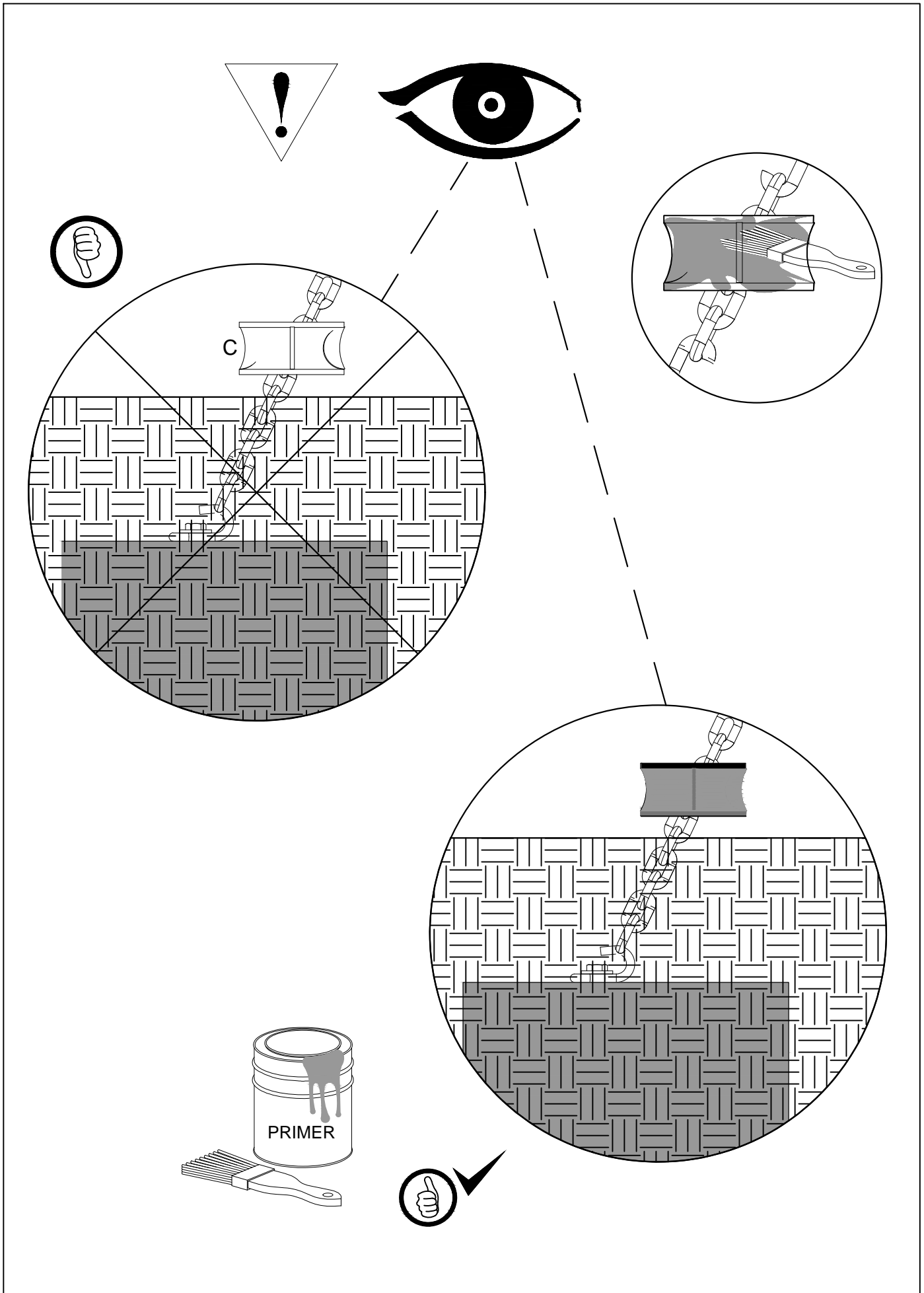
J:\Konstruktion\15_Montageanleitungen_Wartungshinweise_Hinweisblätter\09_Anderer\16-006 EPDM Chain protector\Montageanleitung\DWGs



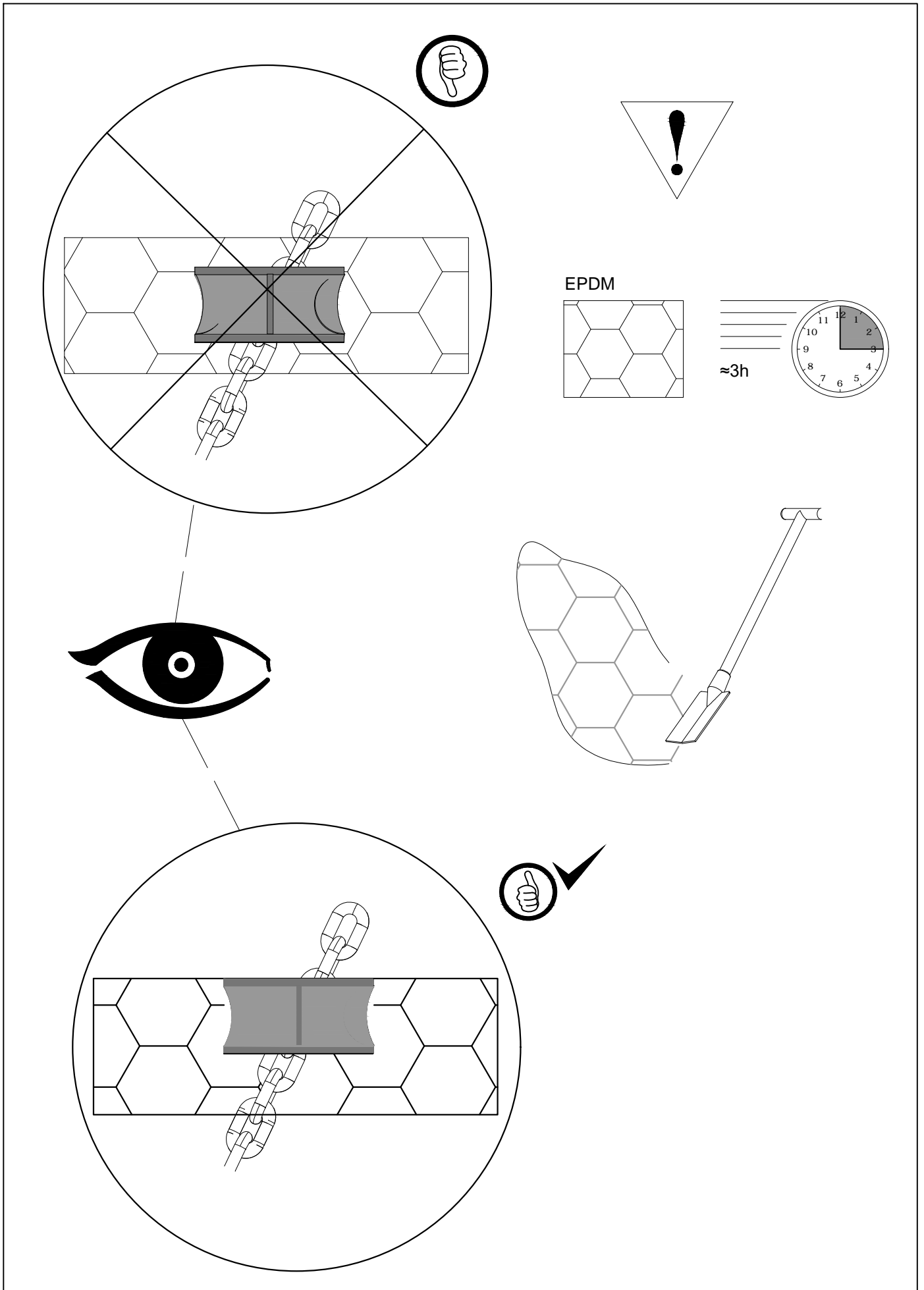
J:\Konstruktion\15_Montageanleitungen_Wartungshinweise_Hinweisblätter\09_Anderer\16-006 EPDM Chain protector\Montageanleitung\DWGs



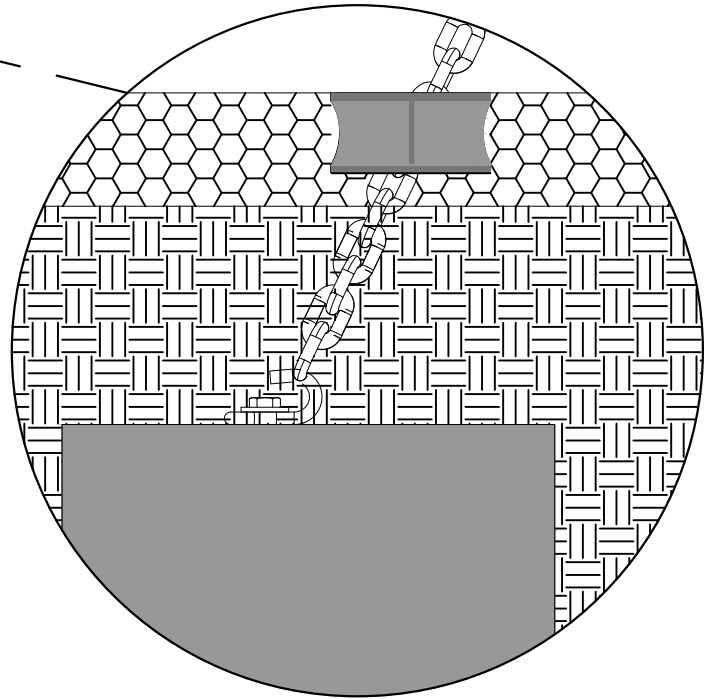
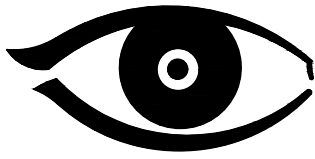
J:\Konstruktion\15_Montageanleitungen_Wartungshinweise_Hinweisblätter\09_Andere\16-006 EPDM Chain protector\Montageanleitung\DWGs



J:\Konstruktion\15_Montageanleitungen_Wartungshinweise_Hinweisblätter\09_Andere\16-006 EPDM Chain protector\Montageanleitung\DWGs



J:\Konstruktion\15_Montageanleitungen_Wartungshinweise_Hinweisblätter\09_Andere\16-006 EPDM Chain protector\Montageanleitung\DWGs



J:\Konstruktion\15_Montageanleitungen_Wartungshinweise_Hinweisblätter\09_Andere\16-006 EPDM Chain protector\Montageanleitung\DWGs

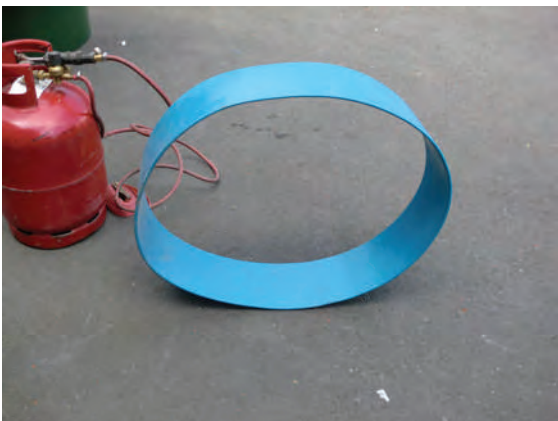
Assembly of two tubes (part 1)



You have to use a blowtorch.



A part of tube. For example: an elbow 90°.



An other part of tube. For example: a straight tube.

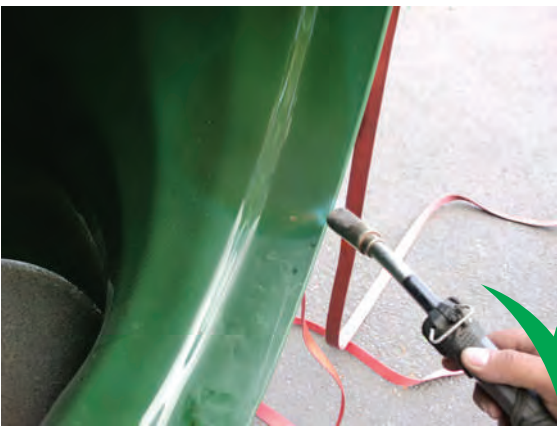


You must put straps on the bigger side of the tube. Straps has to be loose so plastic can expand after heating.

Assembly of two tubes (part 2)



Dissolve the plastic with the blowtorch



Keep the blowtorch in constant movement to prevent overheating. Heat tube until the surface is shiny. Especially on the edge...

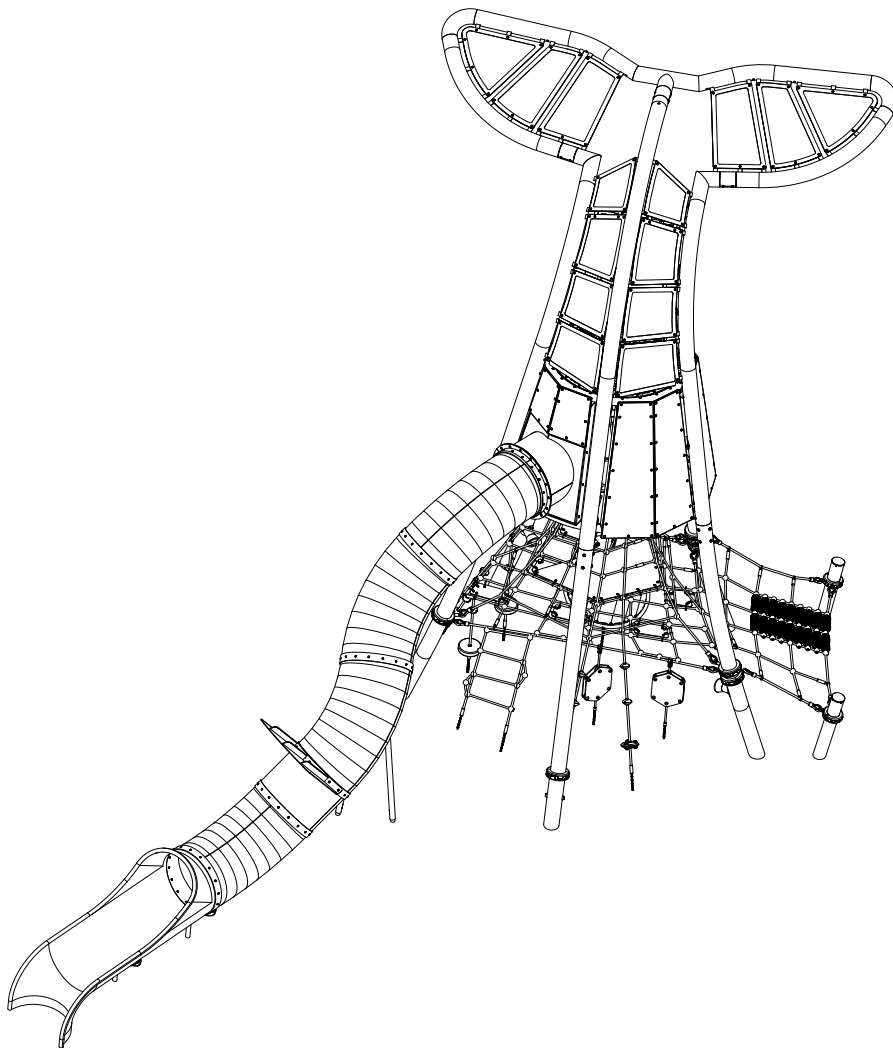


Place the other tube inside.



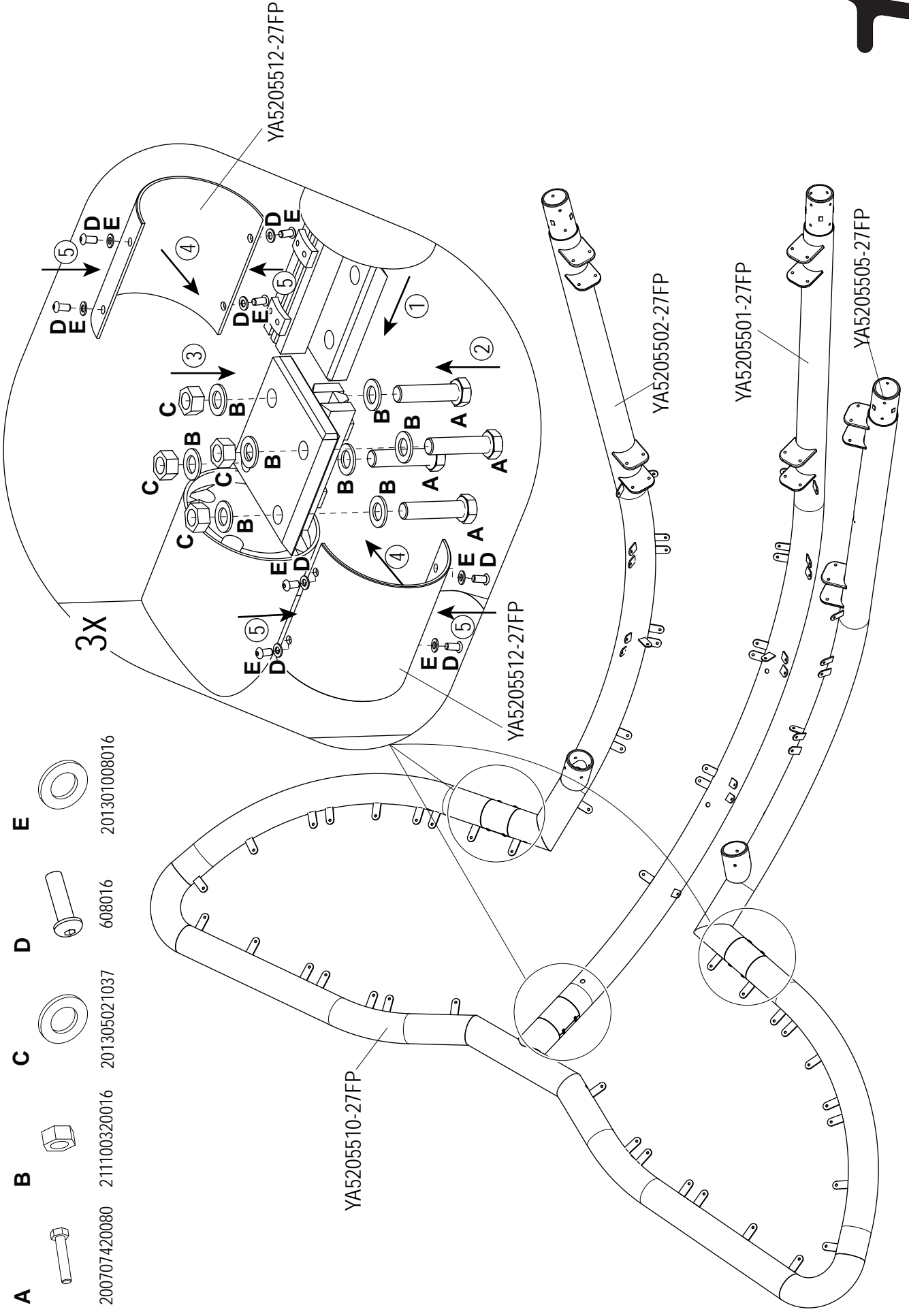
Tighten the straps to weld the two tubes. Wait 5-10 minutes to cool down. Then carefully remove the straps.

KOMPAN!
KNS8500488





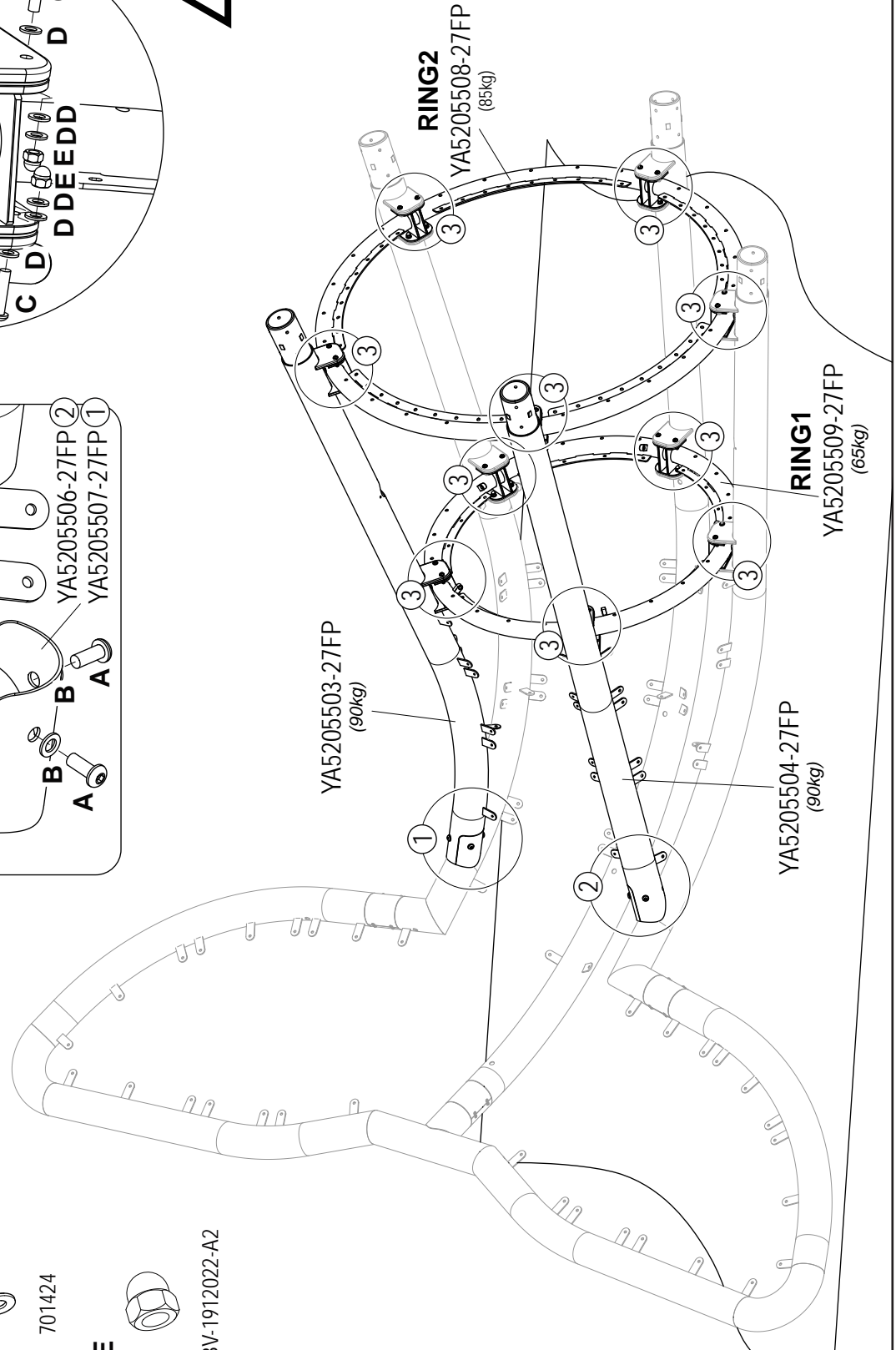
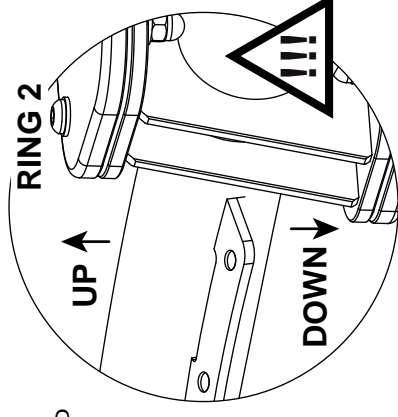
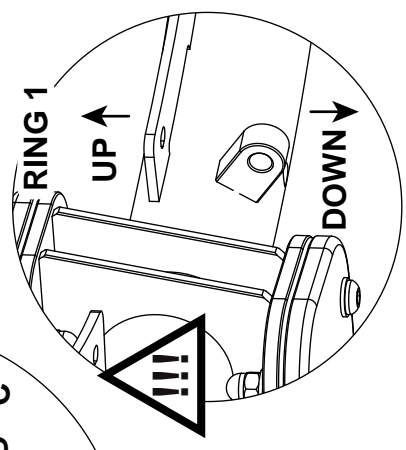
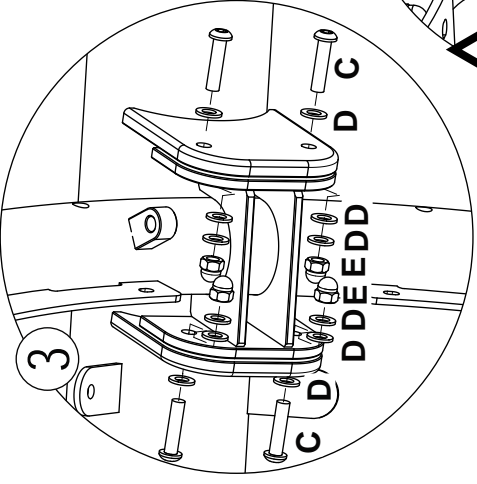
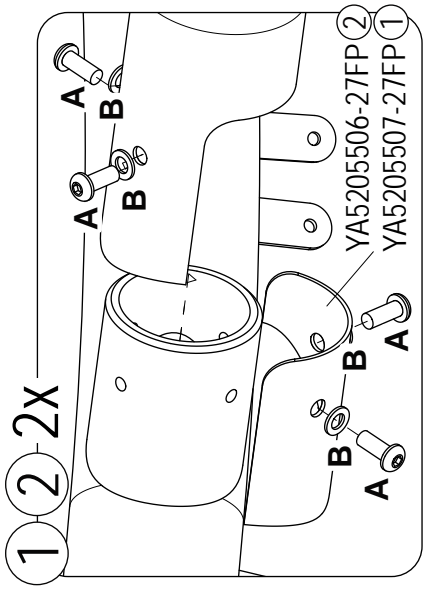
- A**  200707420080 211100320016 201305021037
- B**  608016
- C**  201305021037
- D**  201301008016
- E**  201301008016





- A** 200304316040
- B** 703017
- C** 200304312050

- D** 701424
- E** OBV-1912022-A2



A

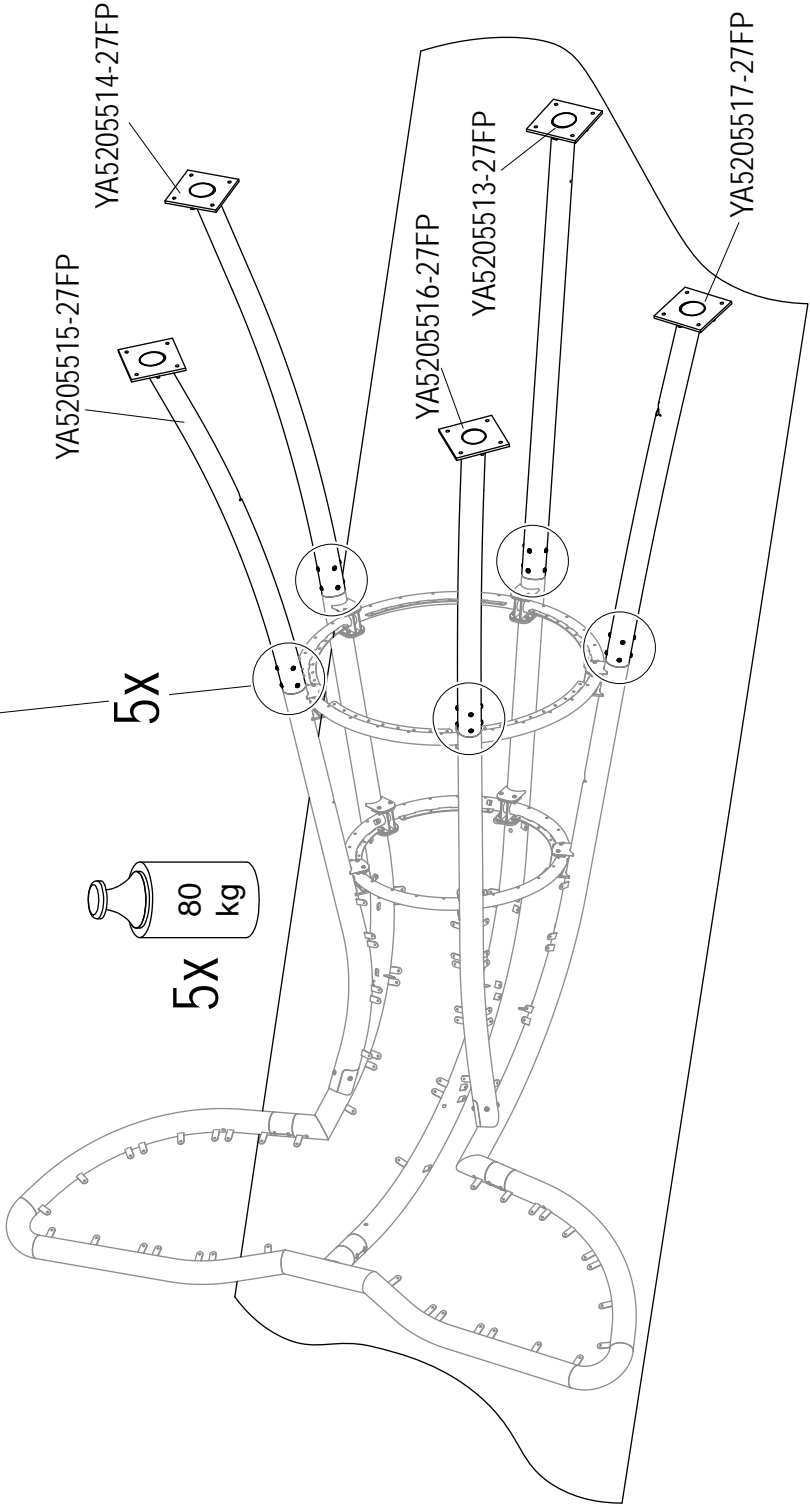
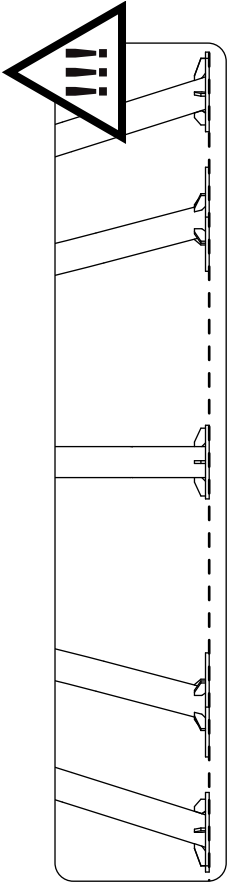
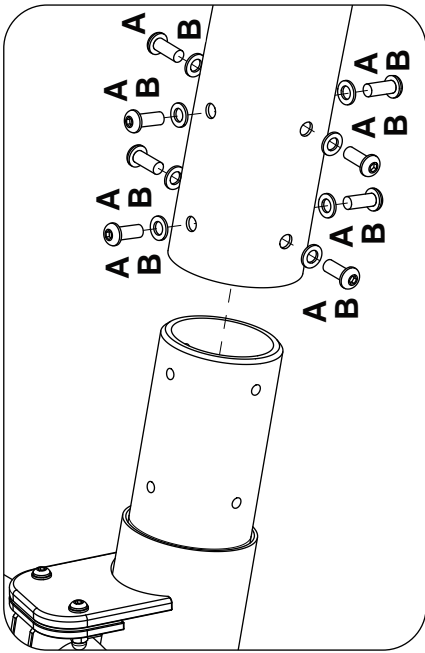


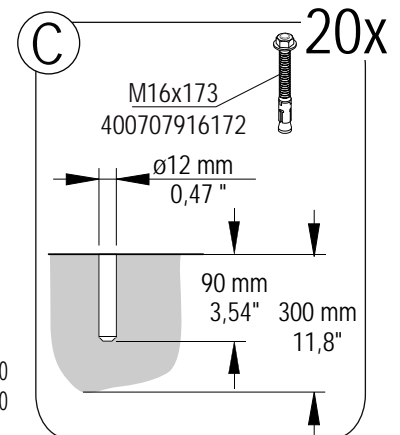
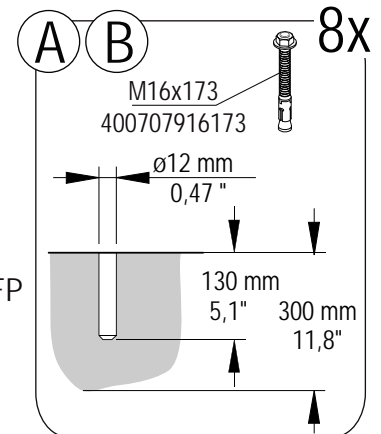
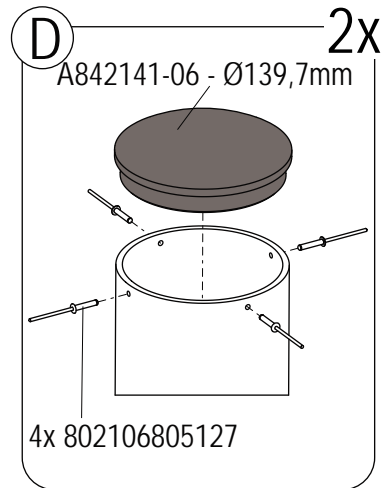
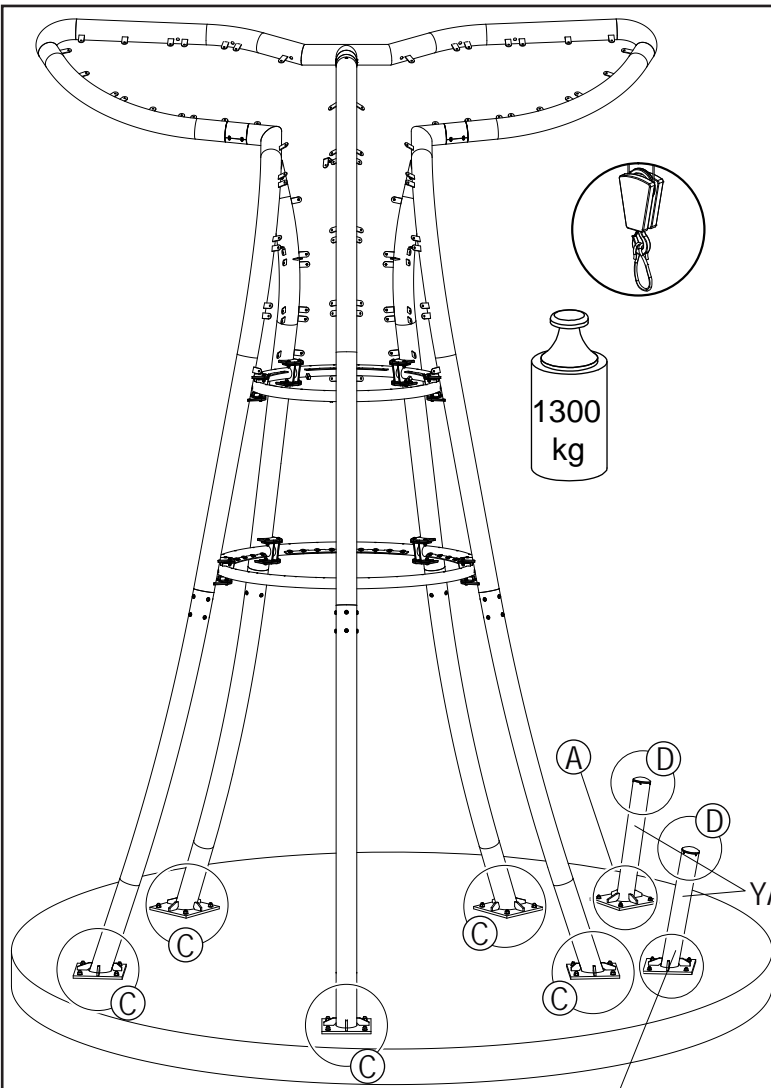
200304316040

B

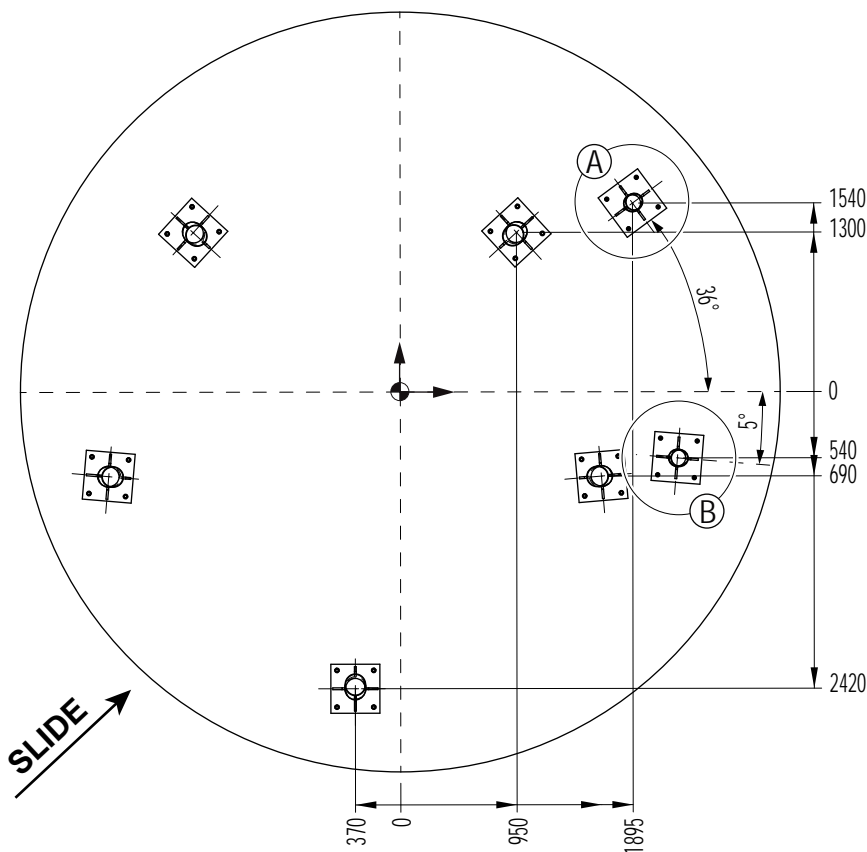


703017

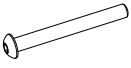





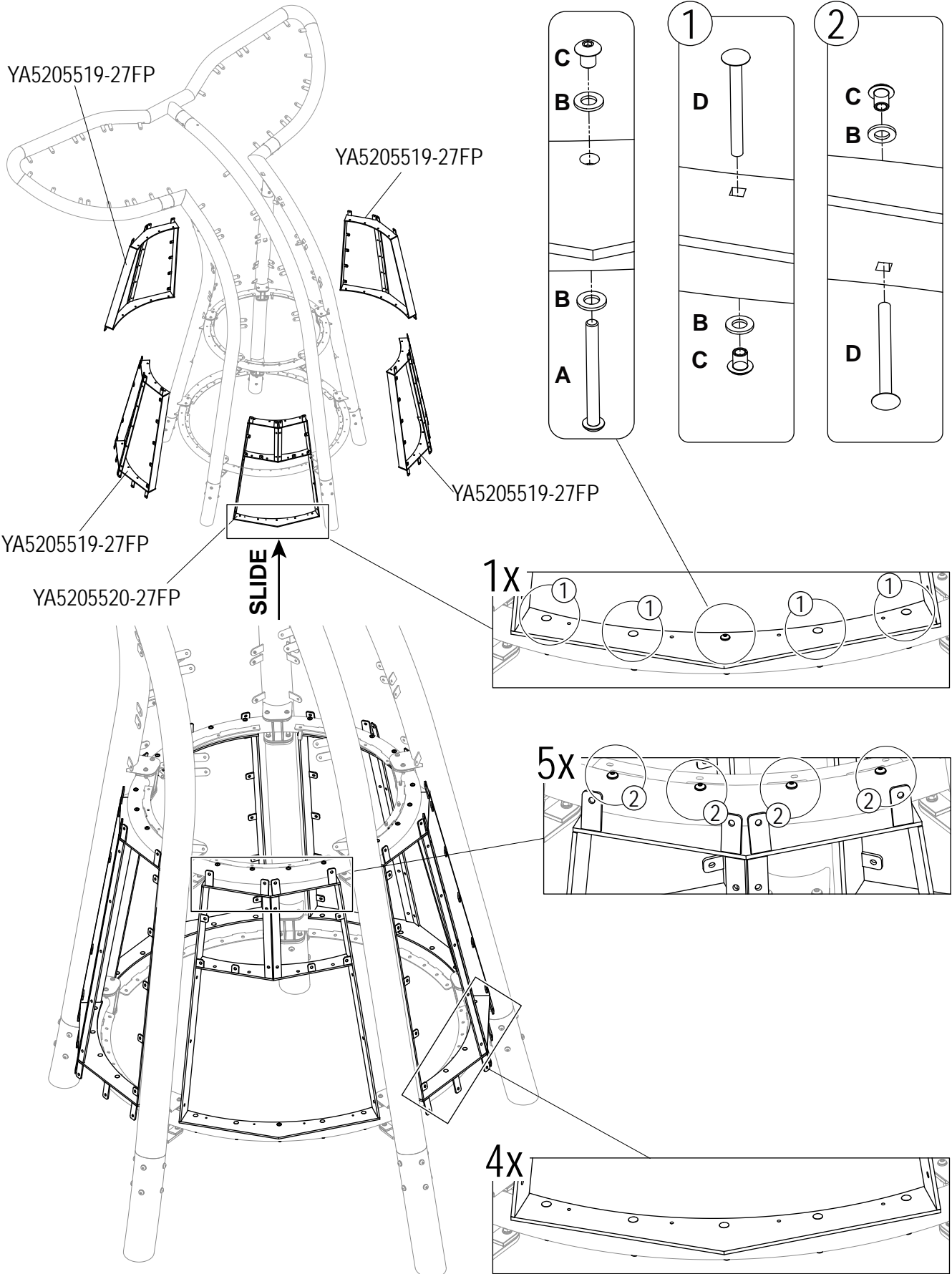


YA5205511-27FP





- A**  200304310100
- B**  701424
- C**  A280082-52
- D**  110100-A2





A



200304312030

B



701424

C



601020-A2

D



701022

E



A280082-52

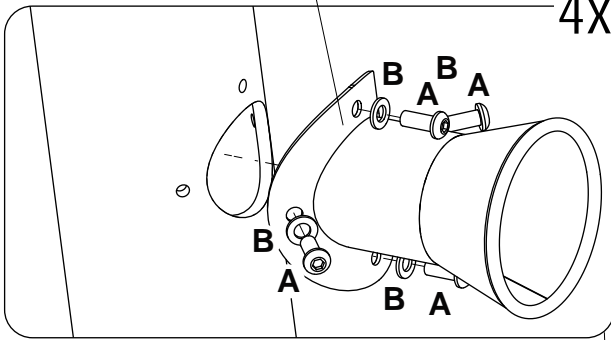
F



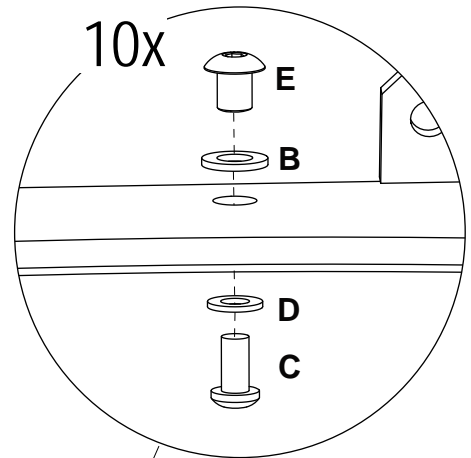
601025

YA5006606-27FP

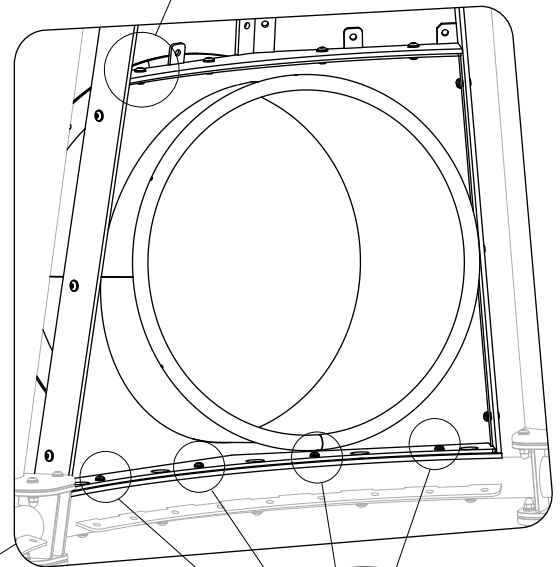
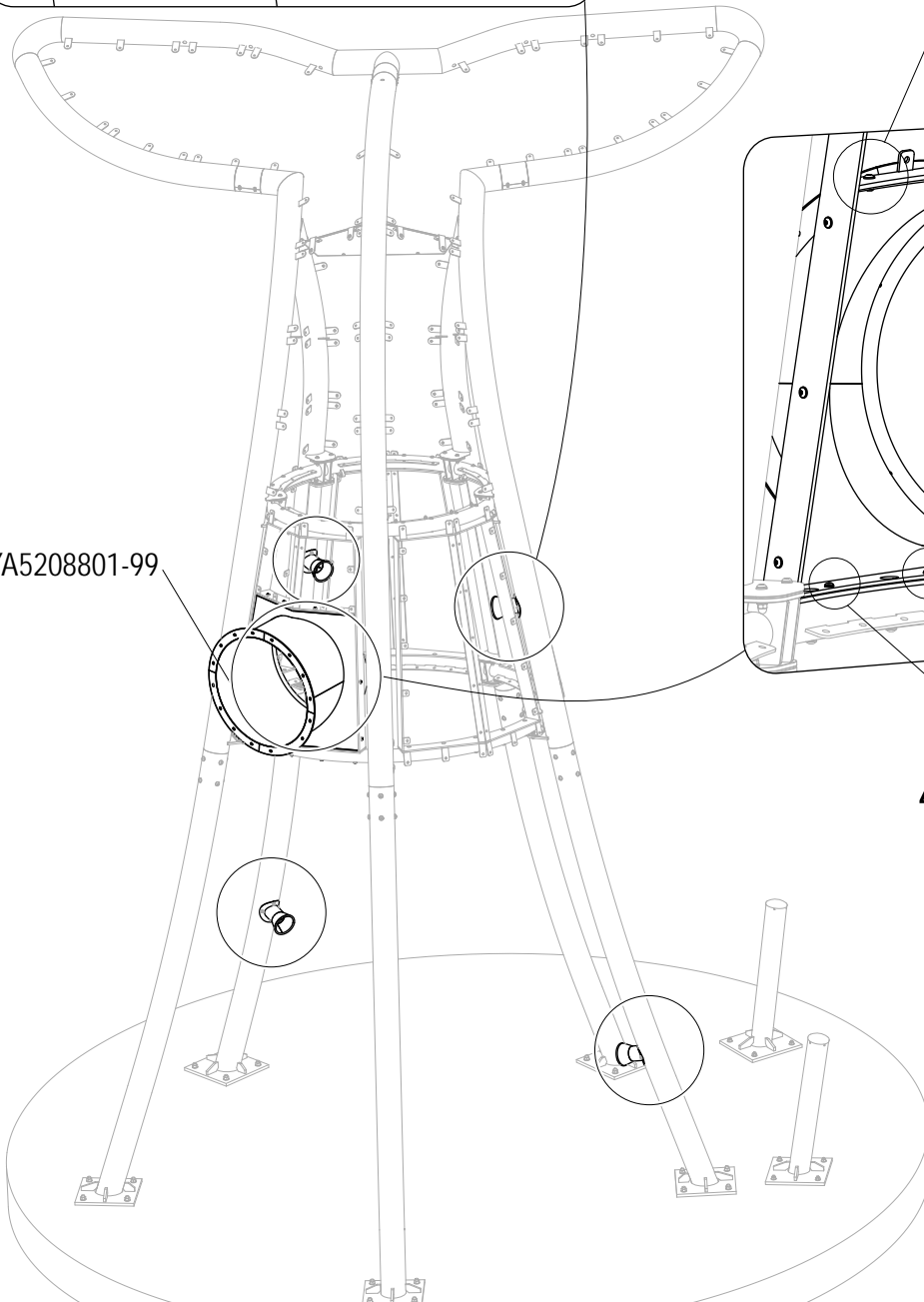
4x



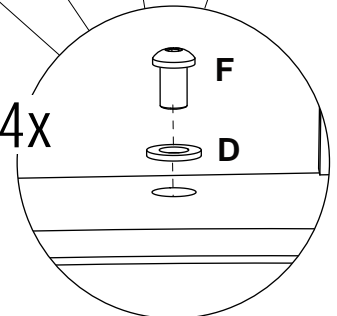
10x

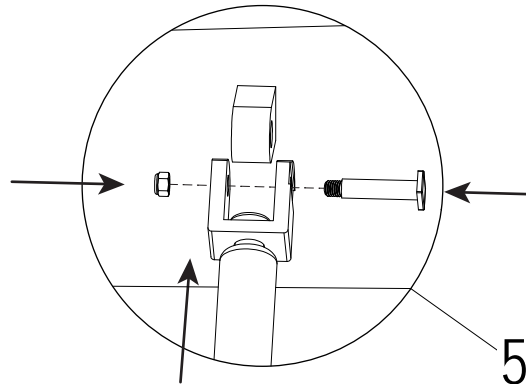
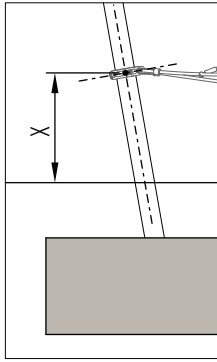


YA5208801-99

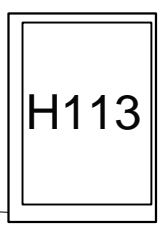
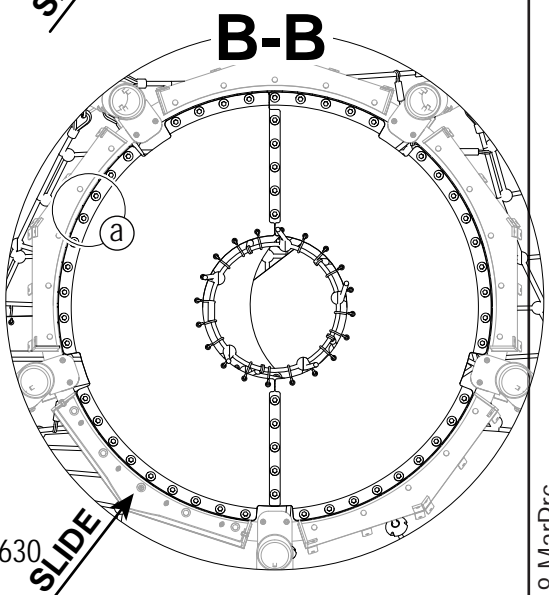
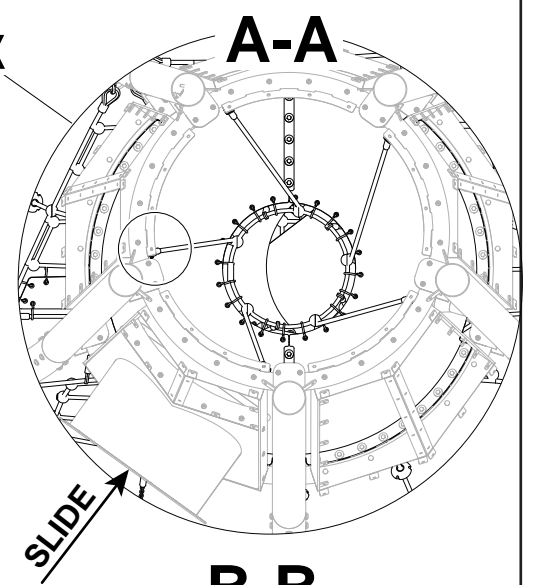
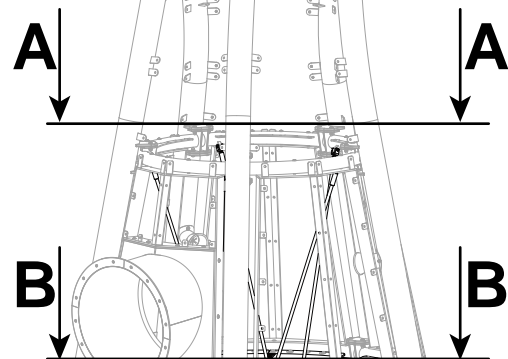
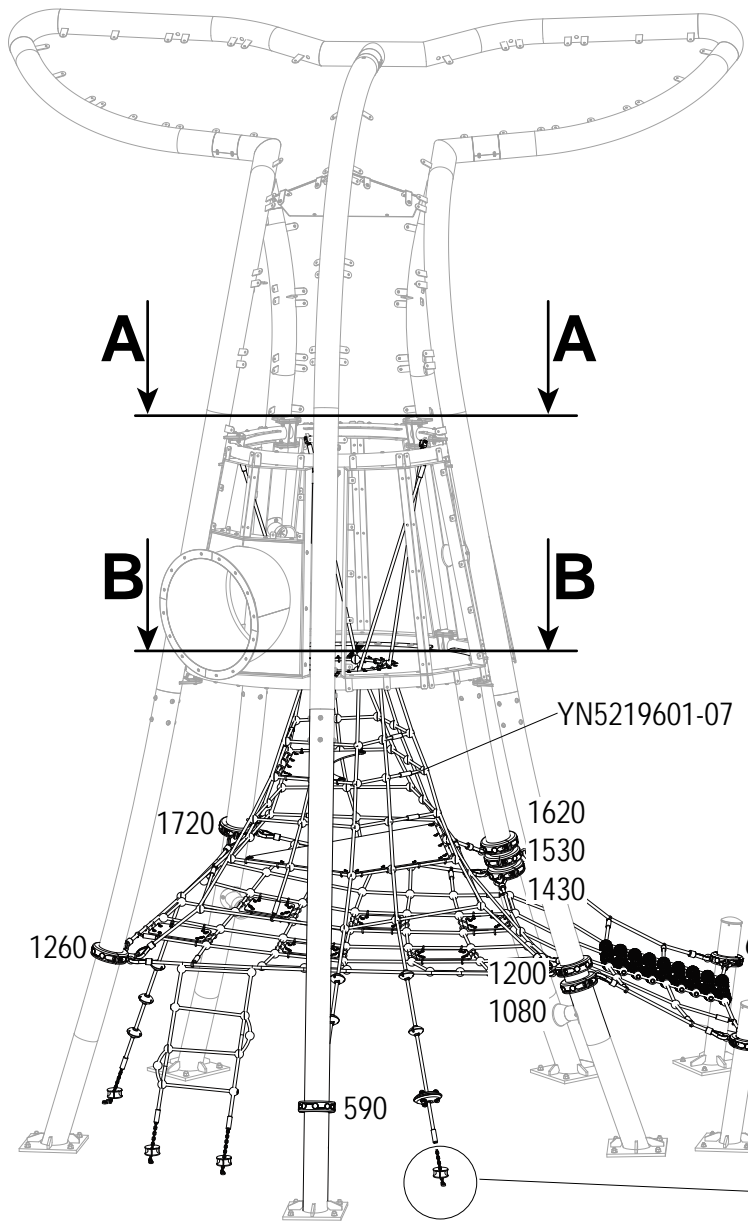
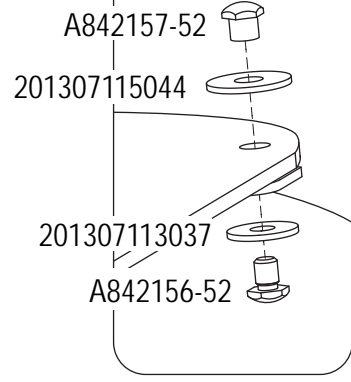


4x





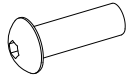
a 40x



VKNS8500488 230518 MarPrc



A



200304308025

B



201301008016

C

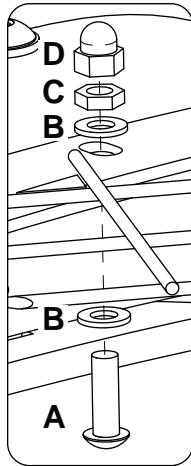


201102208

D

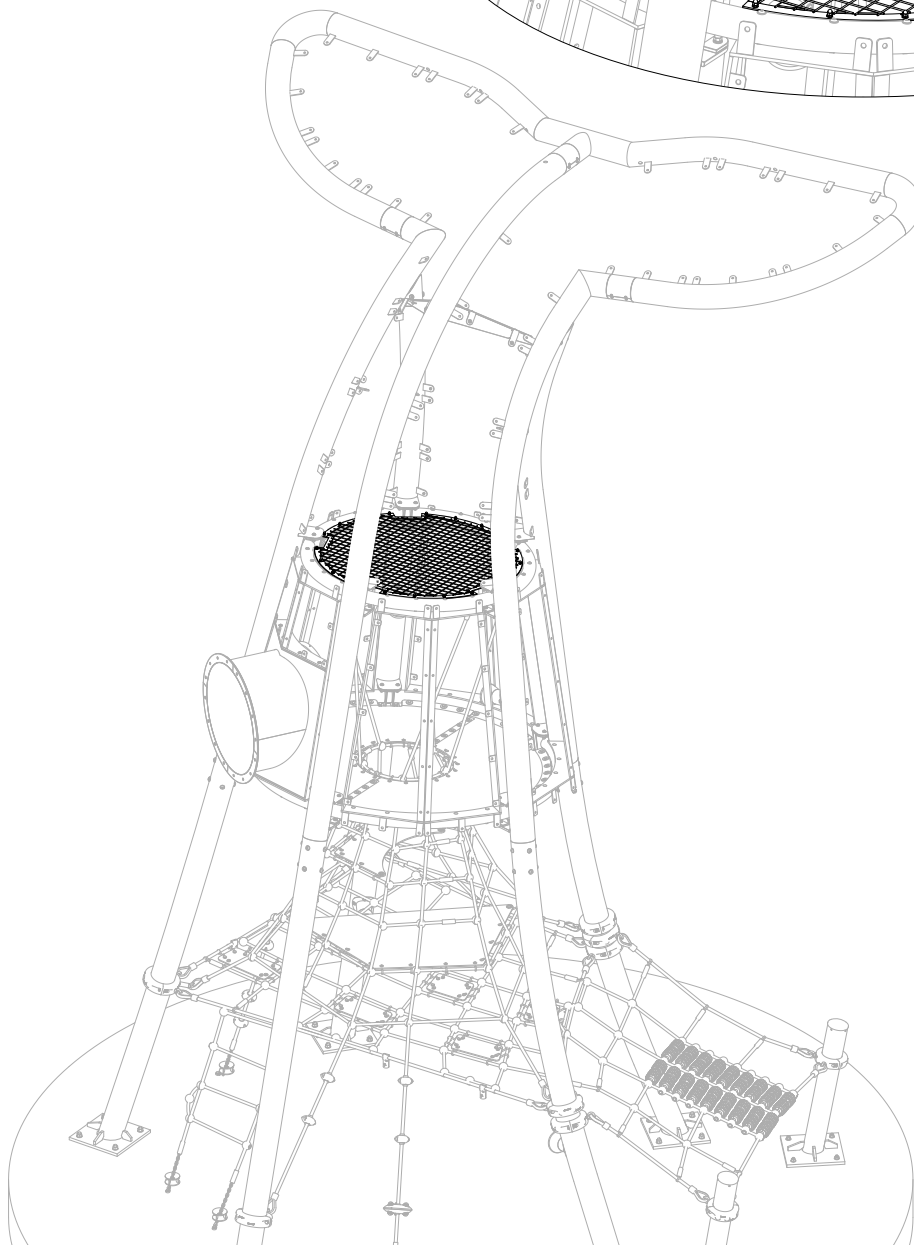
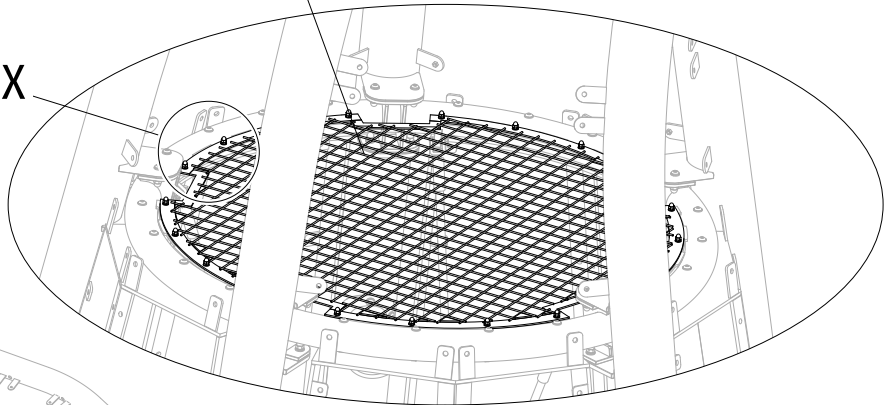


2033049008



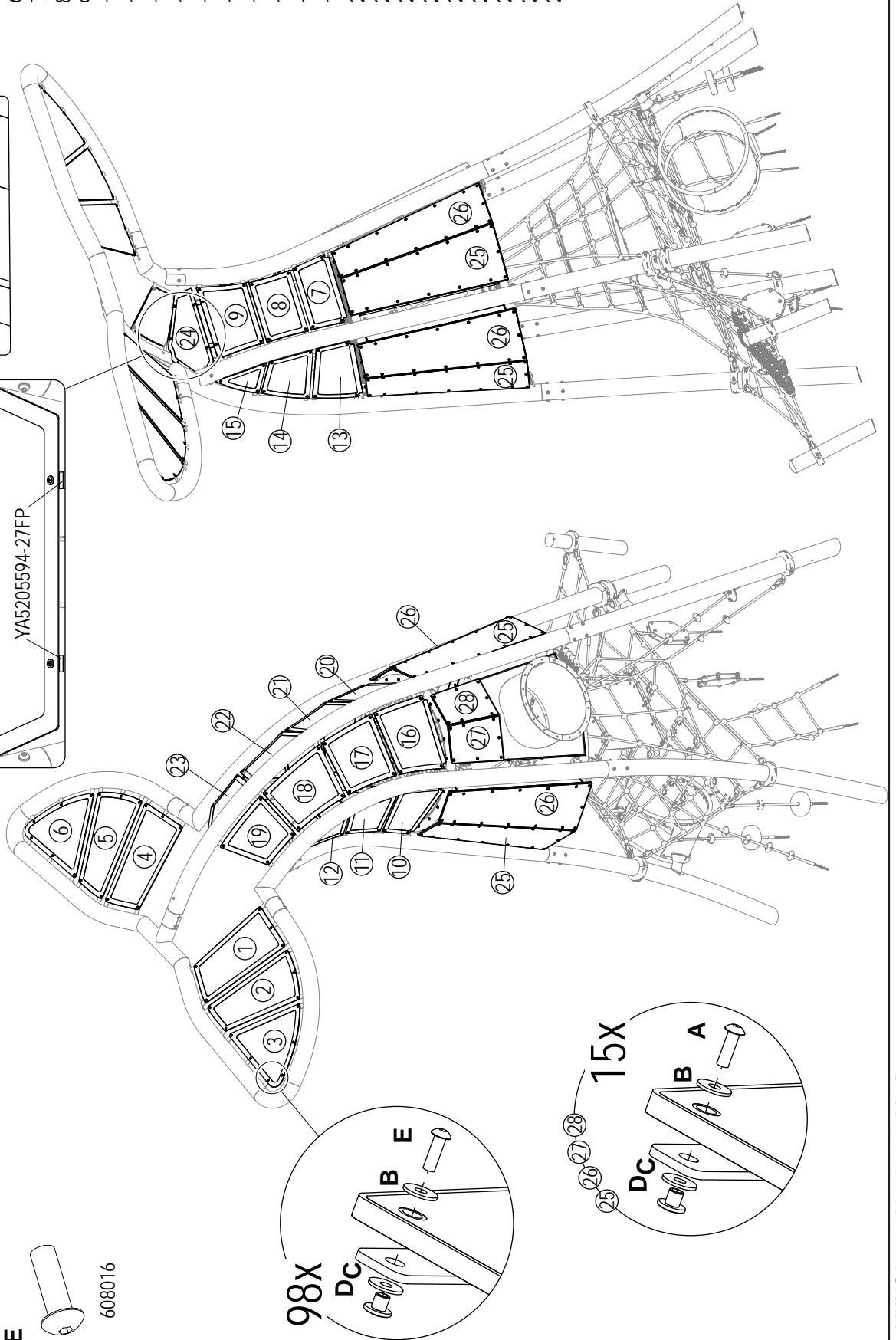
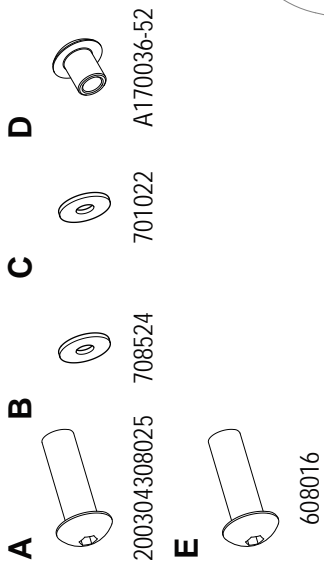
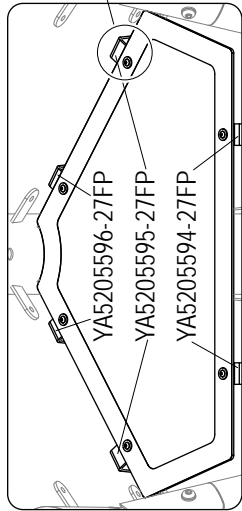
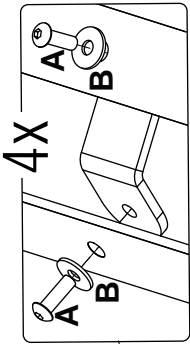
20x

YA5205518-27FP



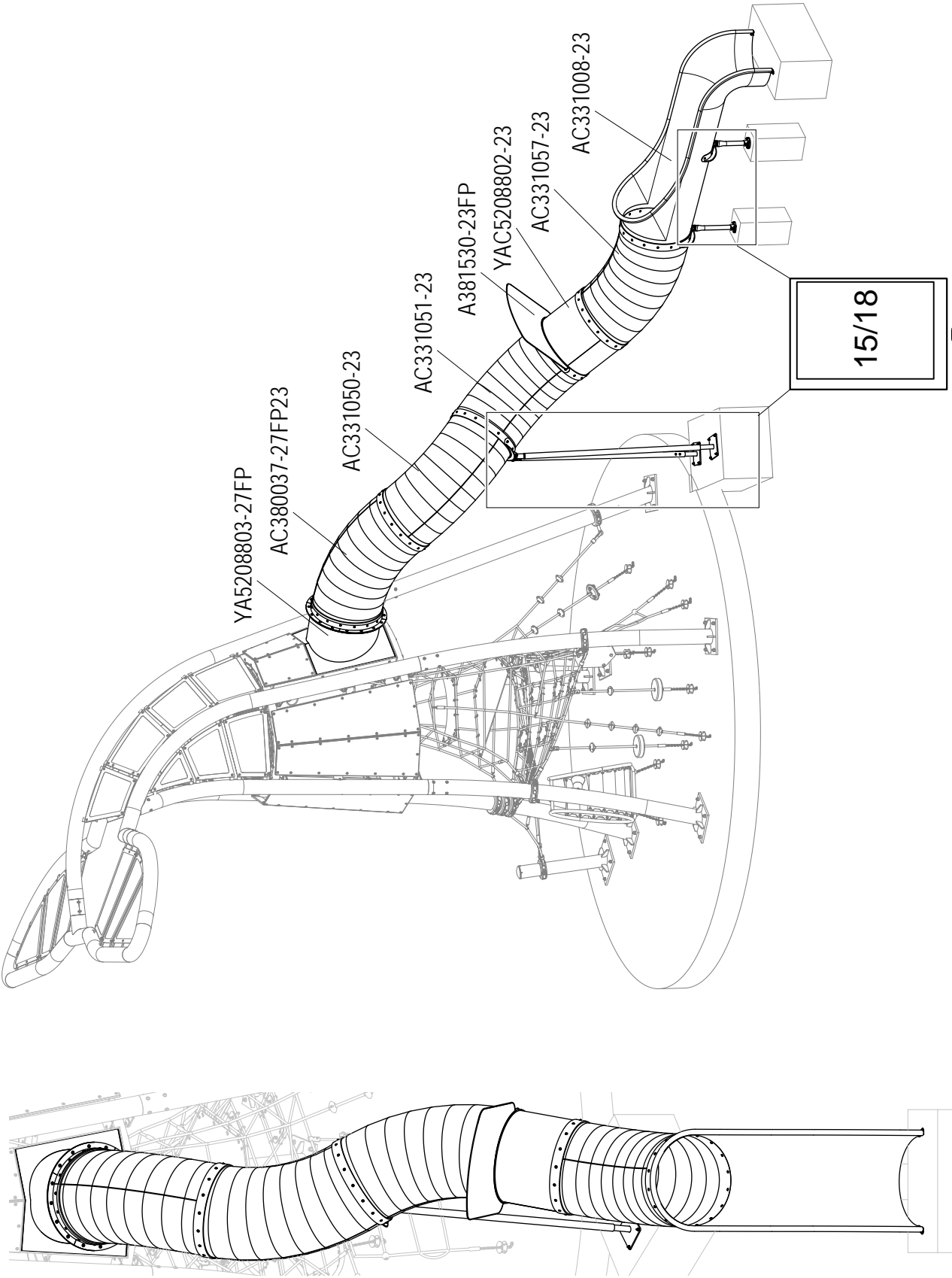


1. YA5205530-355
2. YA5205532-355
3. YA5205534-355
4. YA5205531-355
5. YA5205533-355
6. YA5205535-355
7. YA5205552-355
8. YA5205553-355
9. YA5205554-355
10. YA5205564-355
11. YA5205566-355
12. YA5205568-355
13. YA5205565-355
14. YA5205567-355
15. YA5205569-355
16. YA5205582-355
17. YA5205584-355
18. YA5205586-355
19. YA5205588-355
20. YA5205583-355
21. YA5205585-355
22. YA5205587-355
23. YA5205589-355
24. YA5205592-355
25. YA5205539-355
26. YA5205540-355
27. YA5205544-355
28. YA5205545-355



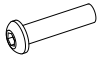


15/18





A



601016-A2

B

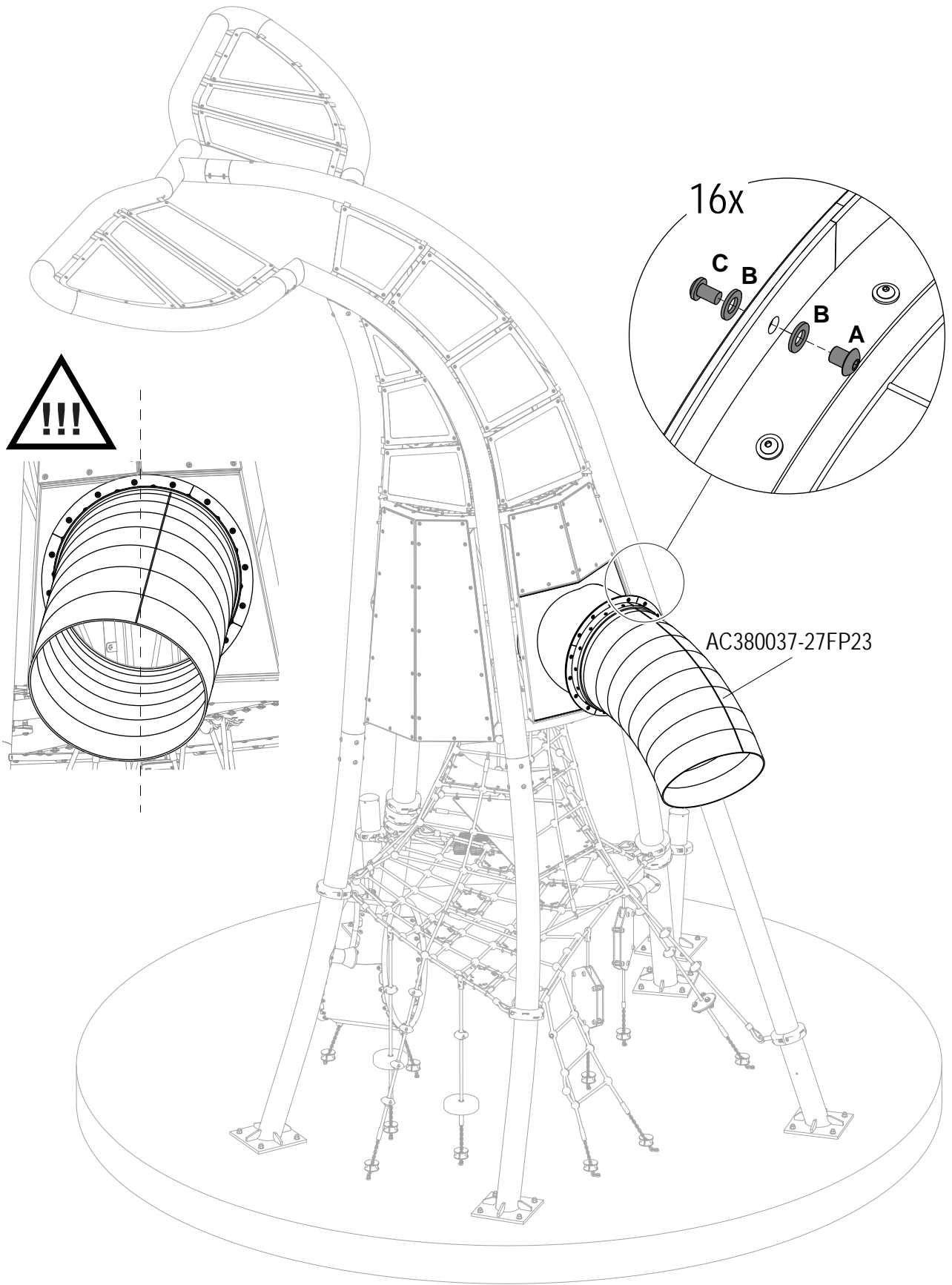


701424

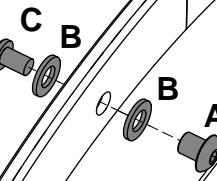
C



A280082-52



16x



AC380037-27FP23

**A**

A280082-52

B

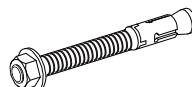
701424

C

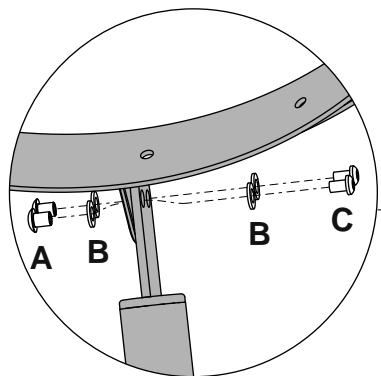
601016-A2

D

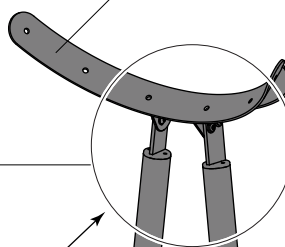
911630-A2

E

400707912110

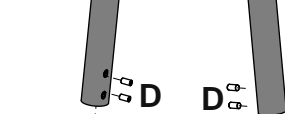


A280292-181FP



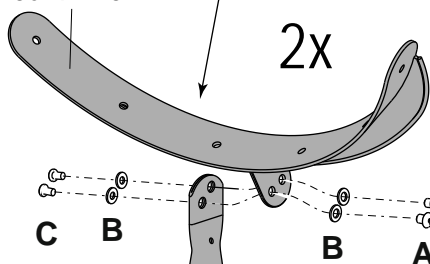
Tighten loose
 Locker anziehen
 Serrer modérément
 Tensar suavemente
 Serrare leggermente
 Losjes aandraaien
 Dra åt löst
 Spænd løst
 Kiinnitä löysästi
 наживить

A331085-181FP



A280291-181FP

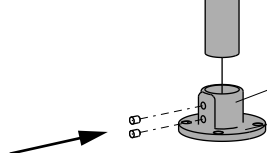
2x



- ① A381406-181FP
- ② A381370-181FP

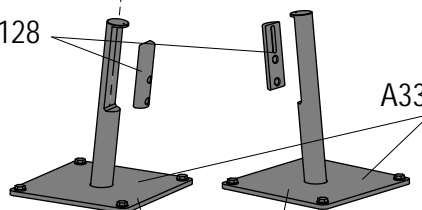
AC280024-128

4x



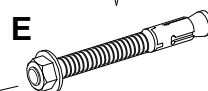
A900182-128

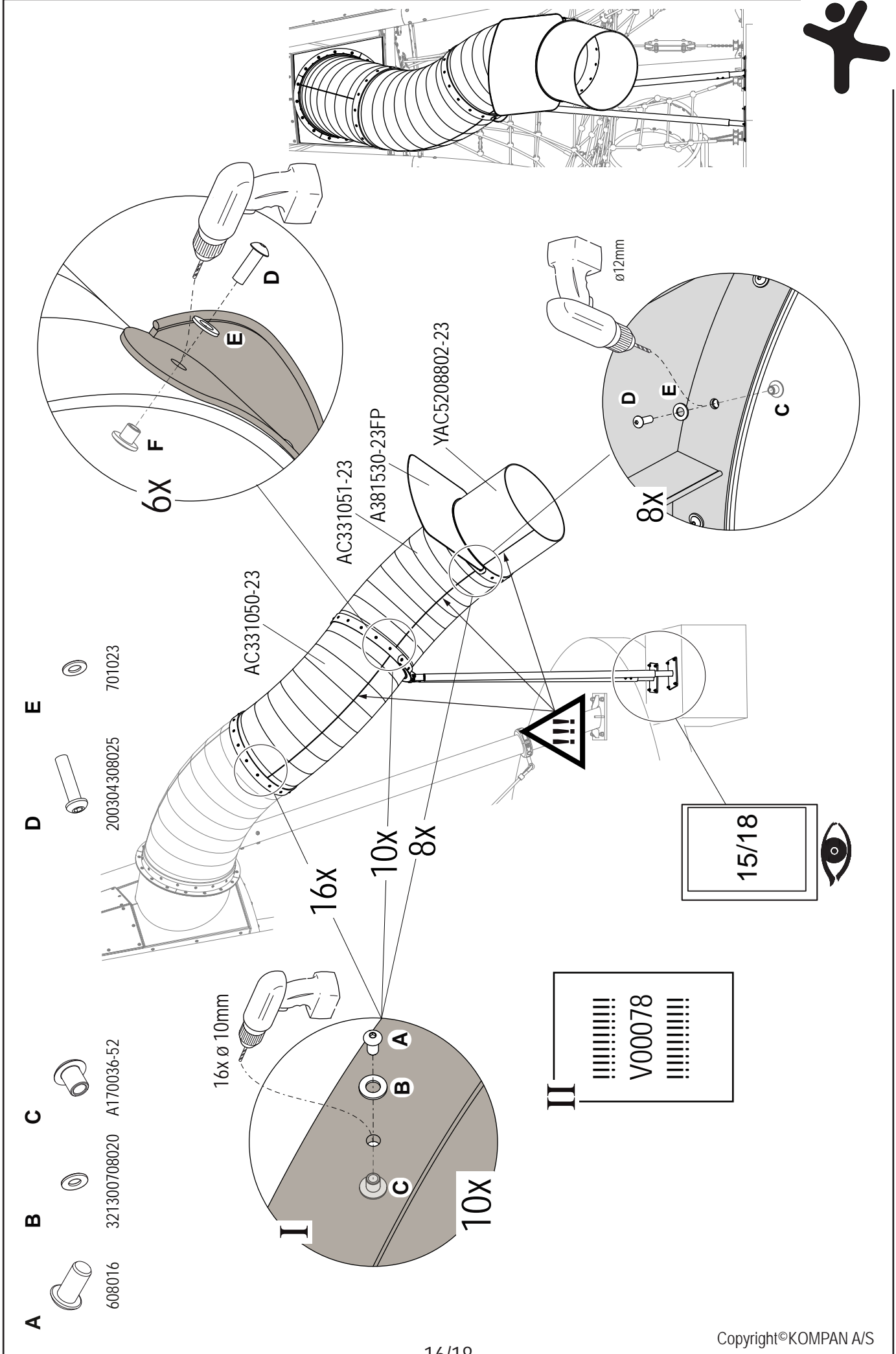
A331044-181FP



4x

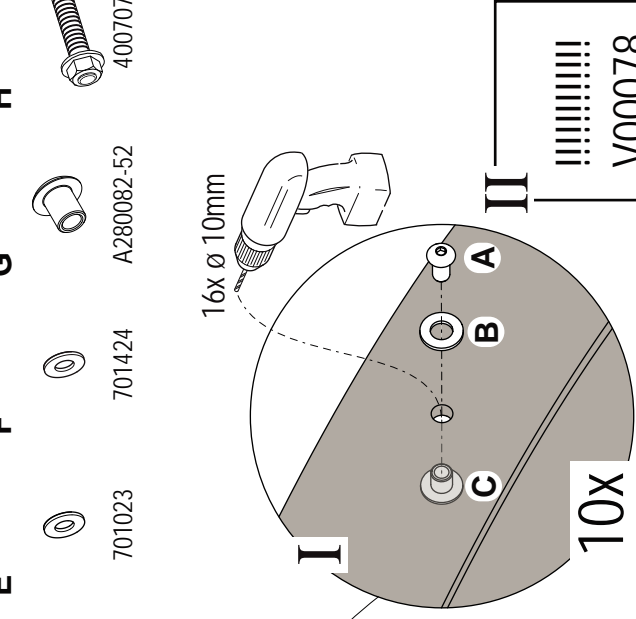
4x





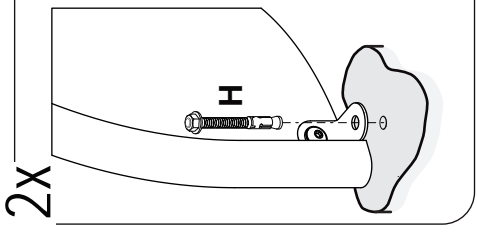
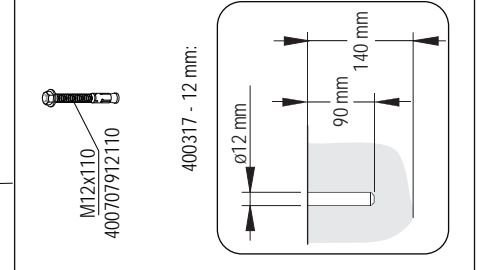
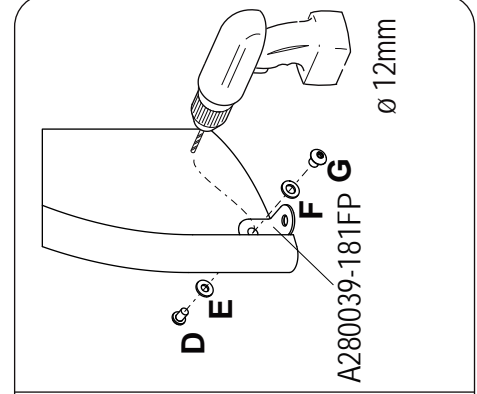
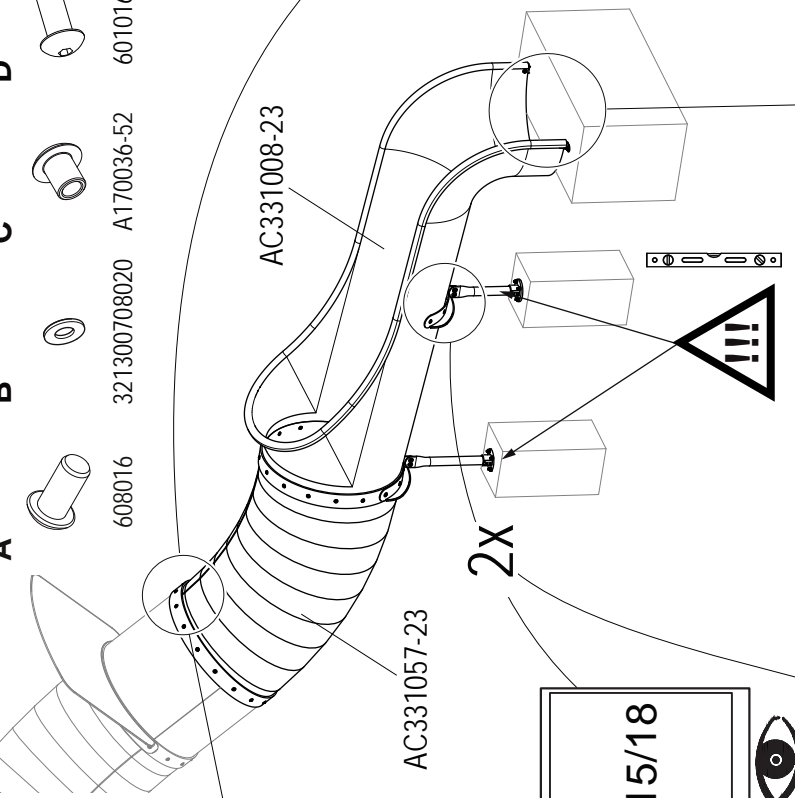


- A** 608016 321300708020 A170036-52 601016-A2
- B** 321300708020 A170036-52 601016-A2
- C** 608016 321300708020 A170036-52 601016-A2
- D** 601016-A2 601016-A2 601016-A2
- E** 701023 701023 701023
- F** 701424 701424 701424
- G** A280082-52 A280082-52 A280082-52
- H** 400707912110 400707912110 400707912110

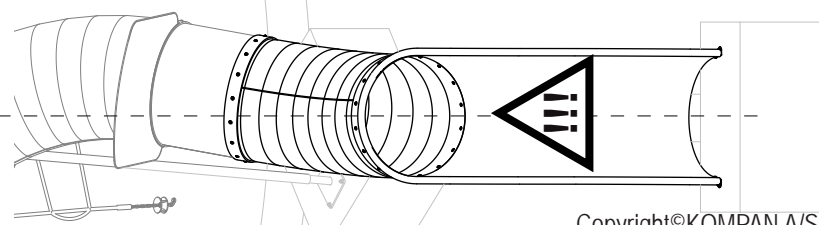
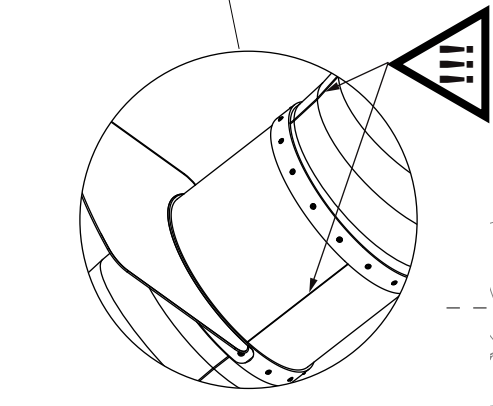
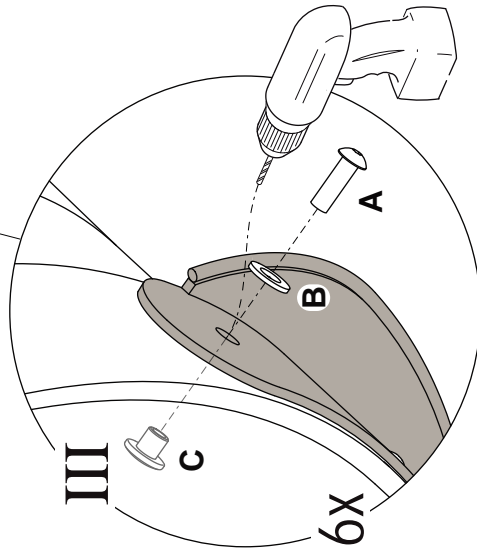


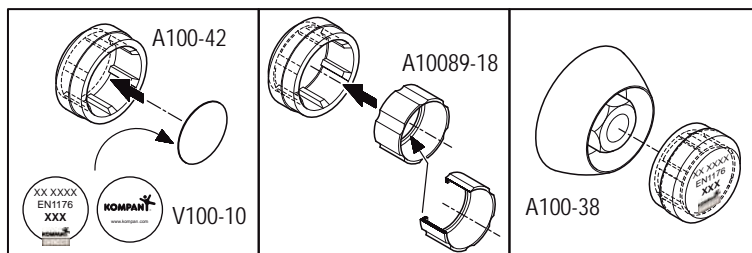
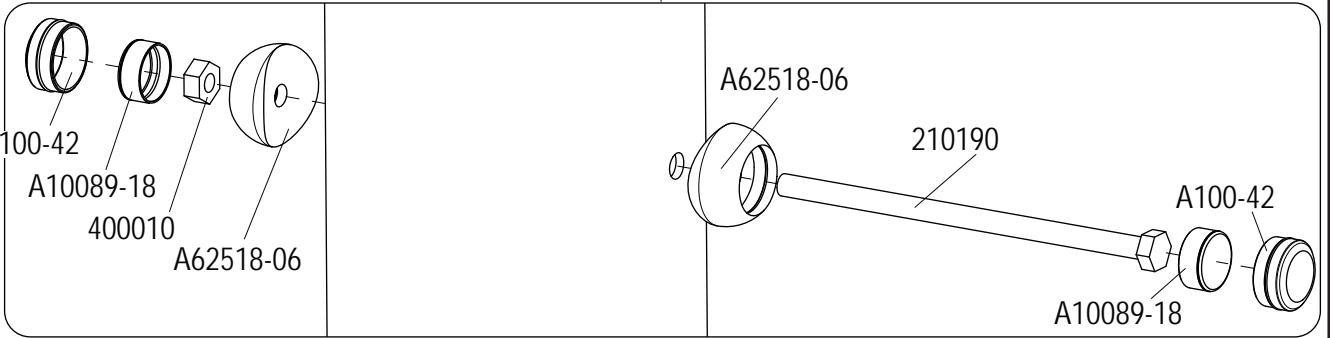
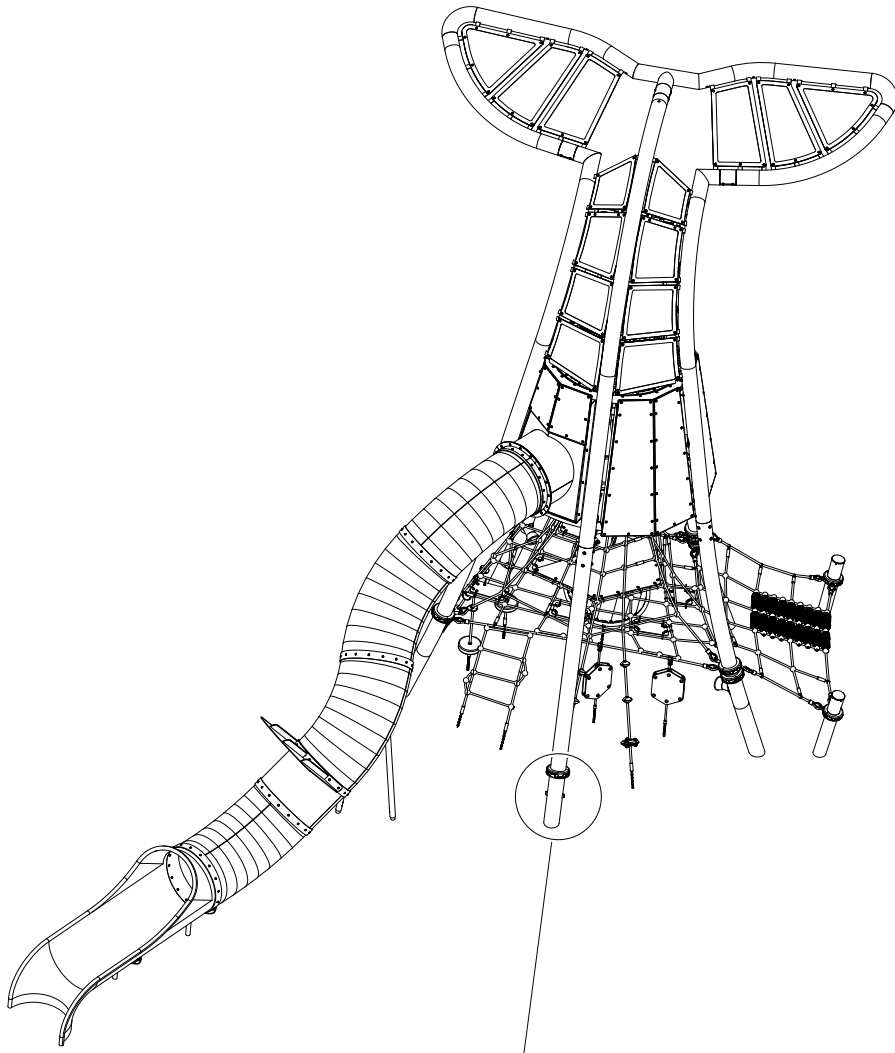
II

!!!!!!!!!!!!
V00078
!!!!!!!!!!!!



15/18





FINAL DESIGN

BINDING APPROVAL

KNS8500489

Coastal Hardy

Mutual agreement for Order purchase. This Design is defined under its own KDS Identification number stated below. All constructional details, dimensions, materials, colours and specifications shown on attached datasheets (plan, side, perspective view + safety zone) are herewith accepted. Changes are no longer possible.

Notwithstanding the aforementioned and without changing the overall design, KDS may in the construction phase, without obtaining approval, perform smaller modifications when deemed beneficial or necessary for the project. All other modifications are subject to prior approval.

Date _____

Signature _____

The Order confirmation and lead time will not start unless signed off responsibly by project coordinator.

KOMPAN[®]
Let's play



Created 16.1.2023

Designer VerHla

Design

Coastal Hardy: Key structural elements are upgraded for Coastal Hardy (specified in General Conditions).

Age-group: 5–12 years

Safety standard: AS

Footing: Surface

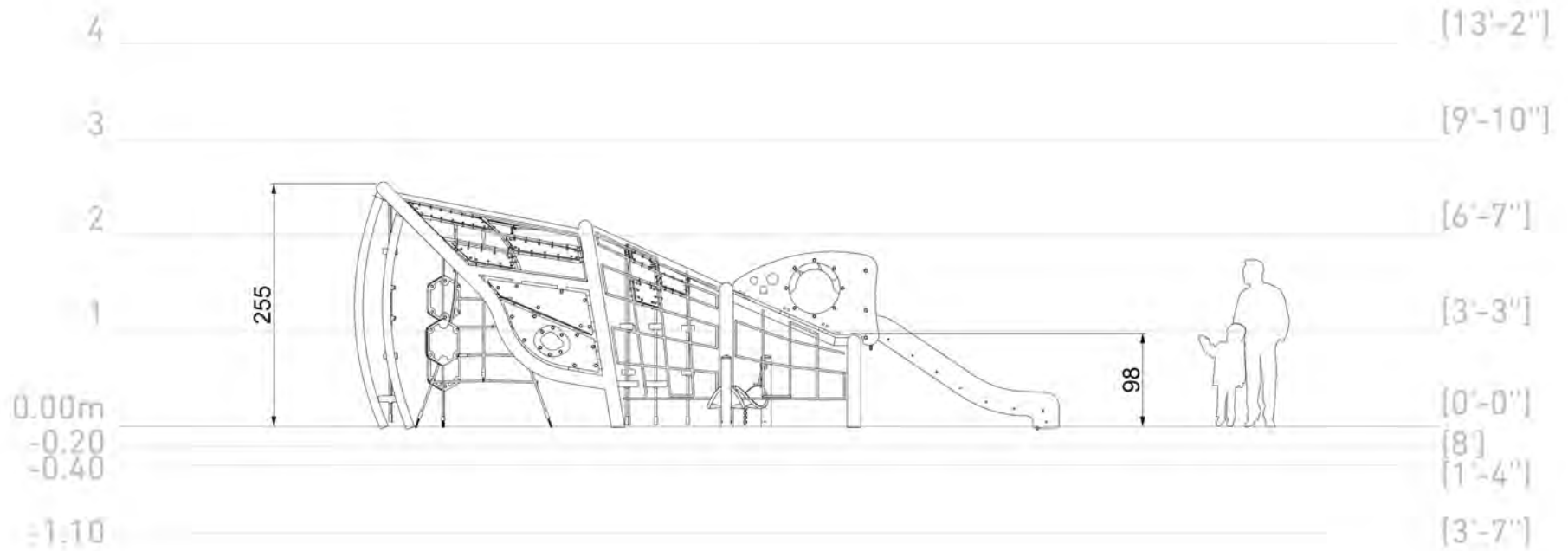


Main Dimensions

Max. fall height: 255 cm

Total height: 255 cm

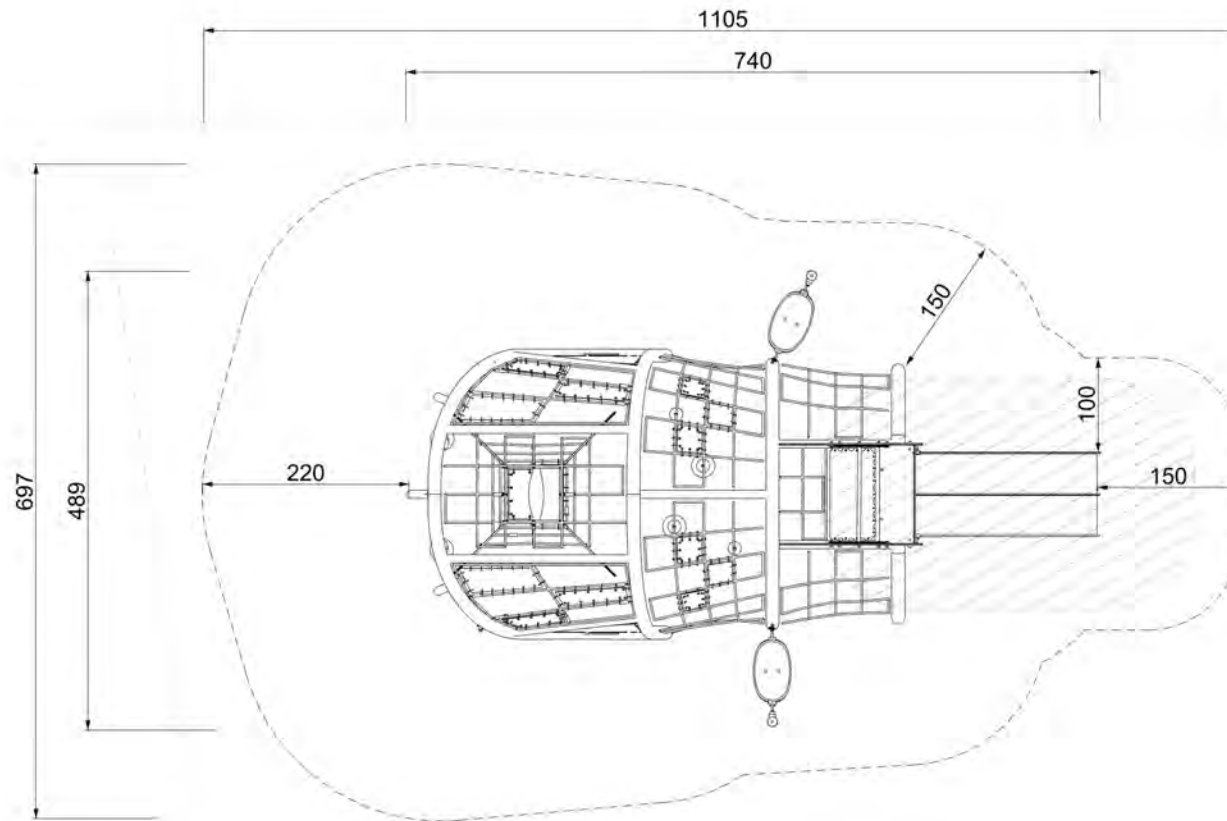
Footings: Surface



Main Dimensions

Safety zone area: 60 m²

Max. fall height: 255 cm



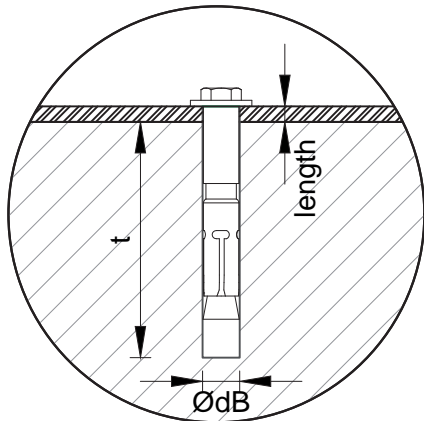
Please note:

The footprint for the customized structure KNS8500489 is downsized and adjusted to a specific site according to AS4685-1: 4.2.8.2.5

Check foundation before installation!



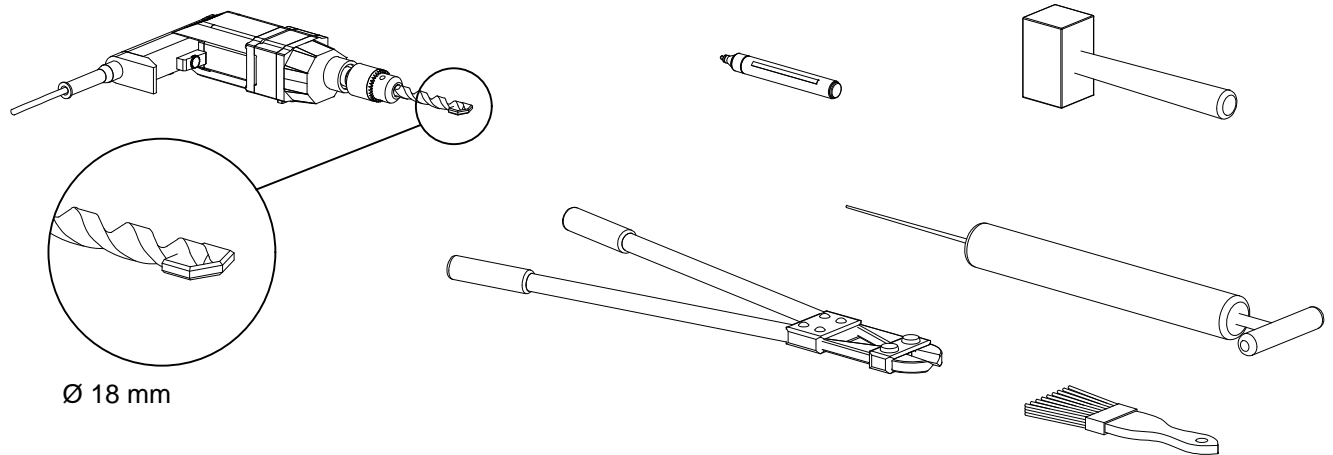
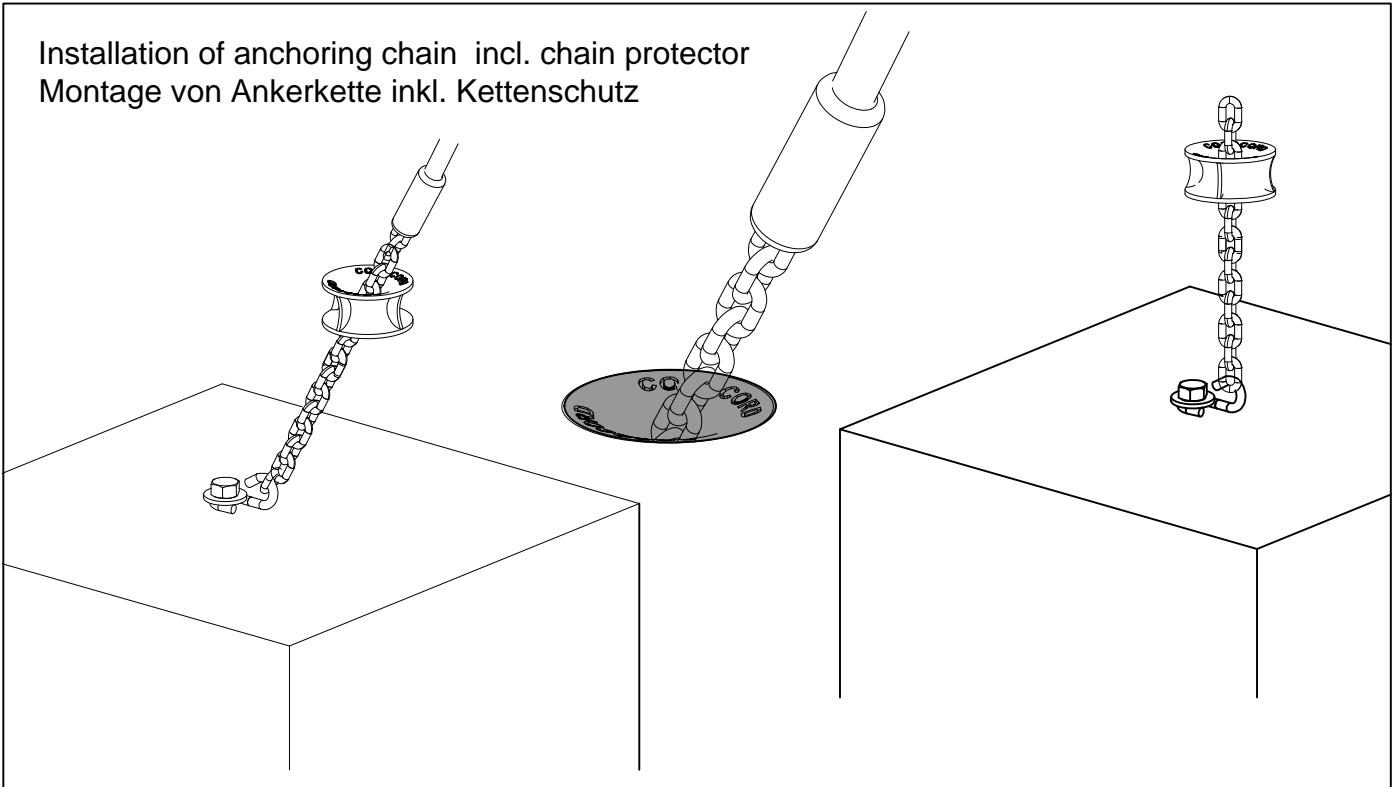
heavy weight anchor Ø/length	bore diameter-Ø dB [mm]	min. drilled hole depth t [mm]
FAZ II M 10/30 (gvz)	10	95
FAZ II M 10/30	10	95
FAZ II M 10/70	10	145
FAZ II M 12/20	12	110
FAZ II M 16/50	16	160
FAZ II M 20/30	20	155
FAZ II M 20/60	20	185



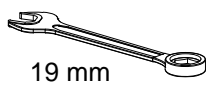
heavy weight anchor Ø/length	bore diameter-Ø dB [mm]	min. drilled hole depth t [mm]
HSL M 8/20	12	80
HSL M 12/20	18	95
HSL M 12/45	18	95
HSL M 16/25	24	120
HSL M 16/50	24	120
HSL M 20/30	28	150
HSL M 20/60	28	150

J:\Konstruktion\15_Montageanleitungen_Wartungshinweise_Hinweisblätter\Hinweisblätter\H 100\H 102 Installation of heavy weight anchor hsl\DWG's\H 102 Installation of heavy weight anchors_rev2.dwg

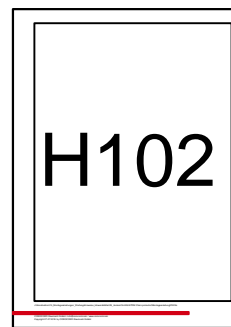
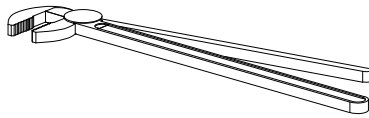
Installation of anchoring chain incl. chain protector
 Montage von Ankerkette inkl. Kettenschutz



Ø 18 mm



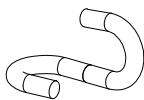
19 mm



H102

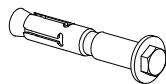


A



A842045-52 (1x)

B



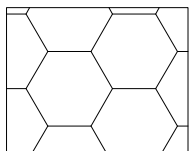
340707912105 (1x)
M12x25

C

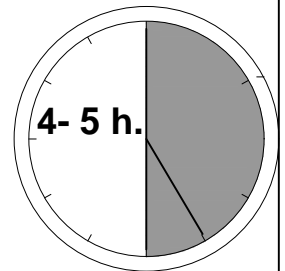
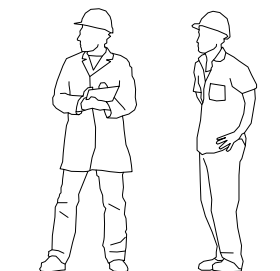


A822137-06 (1x)

EPDM

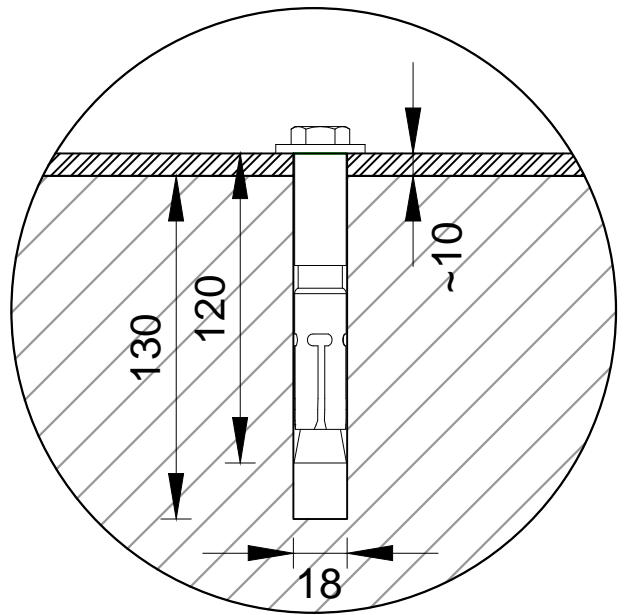
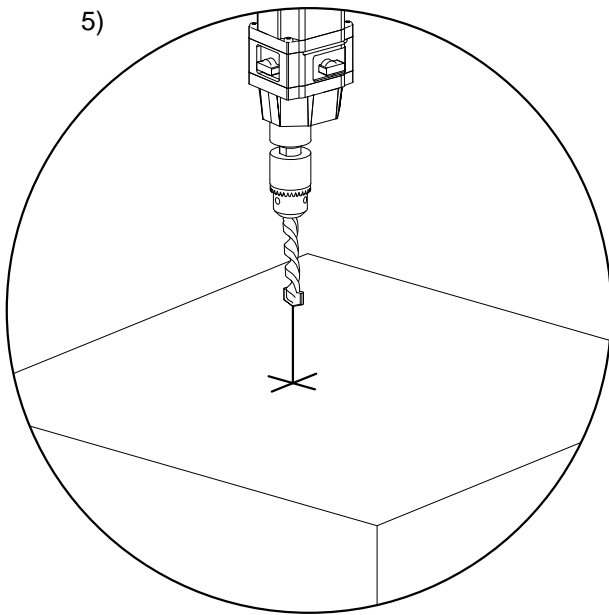
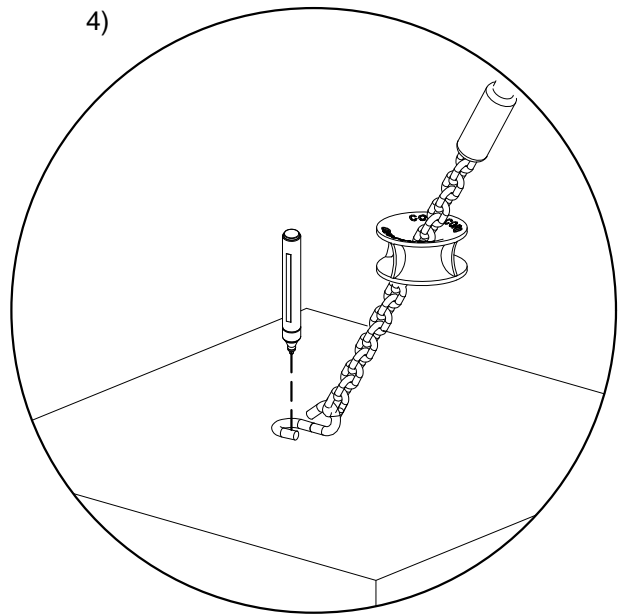
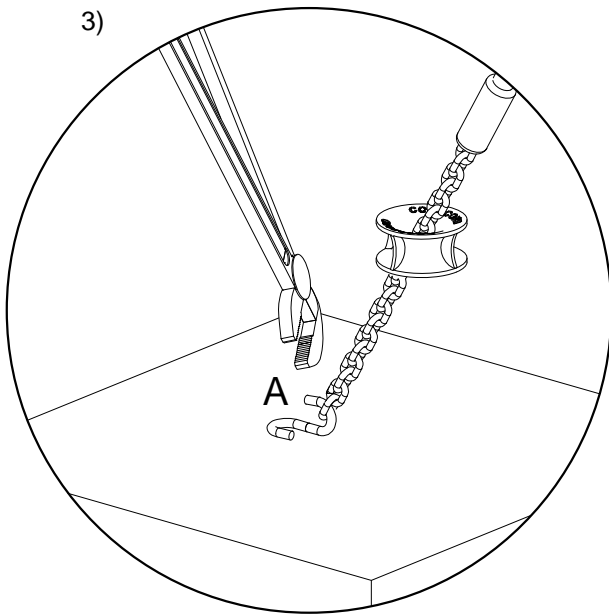
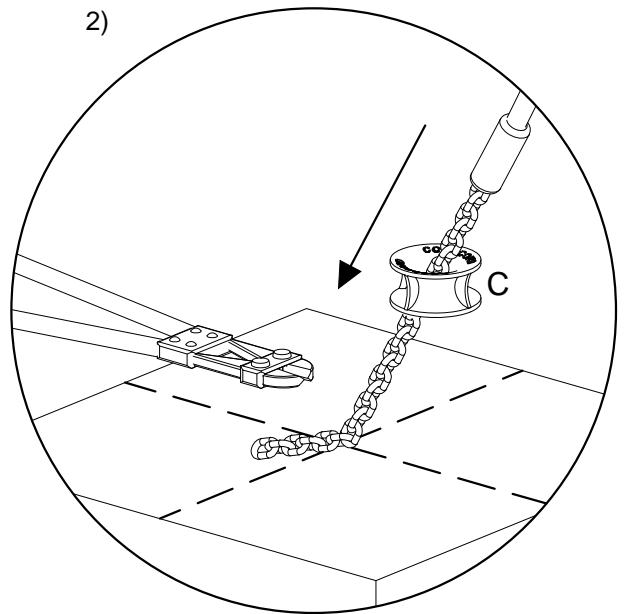
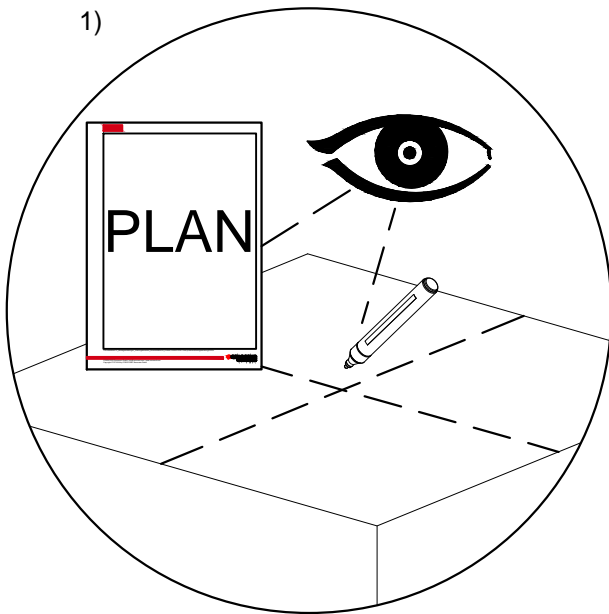


PRIMER

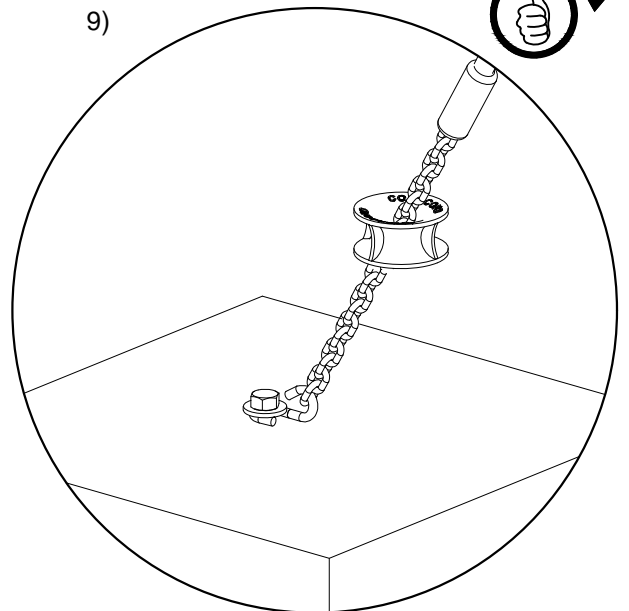
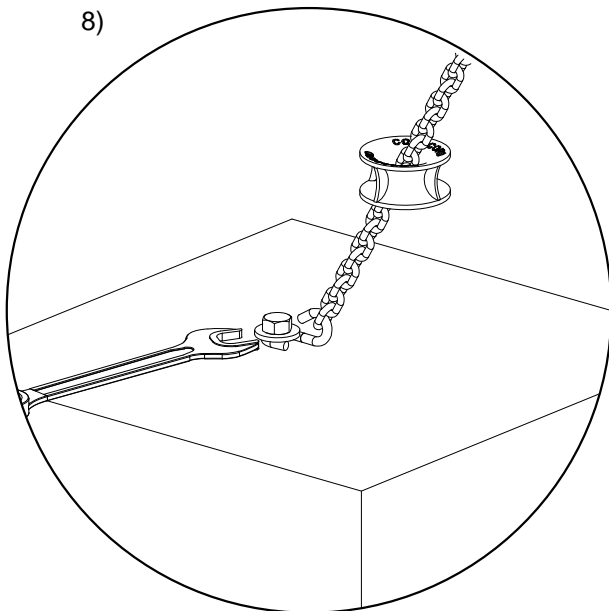
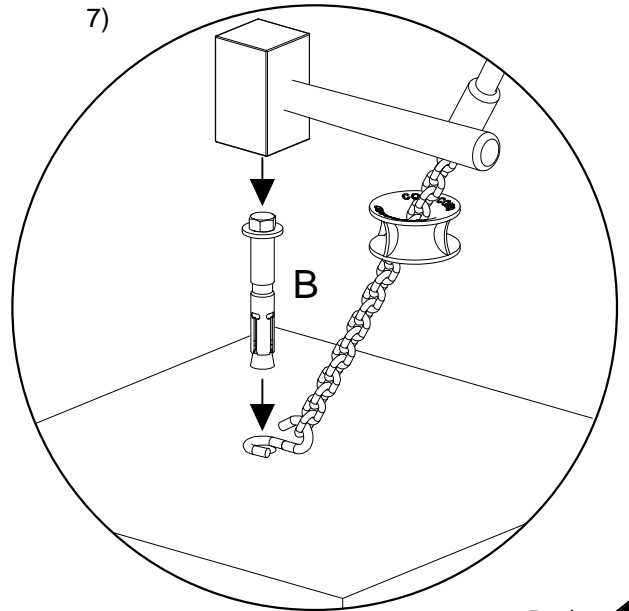
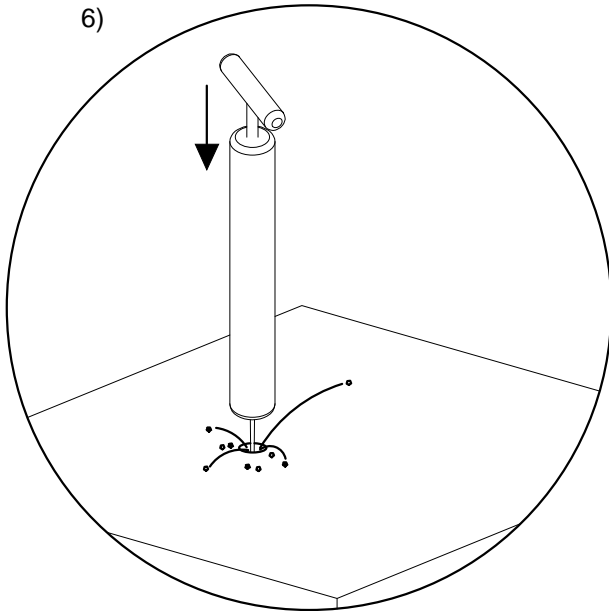


4-5 h.

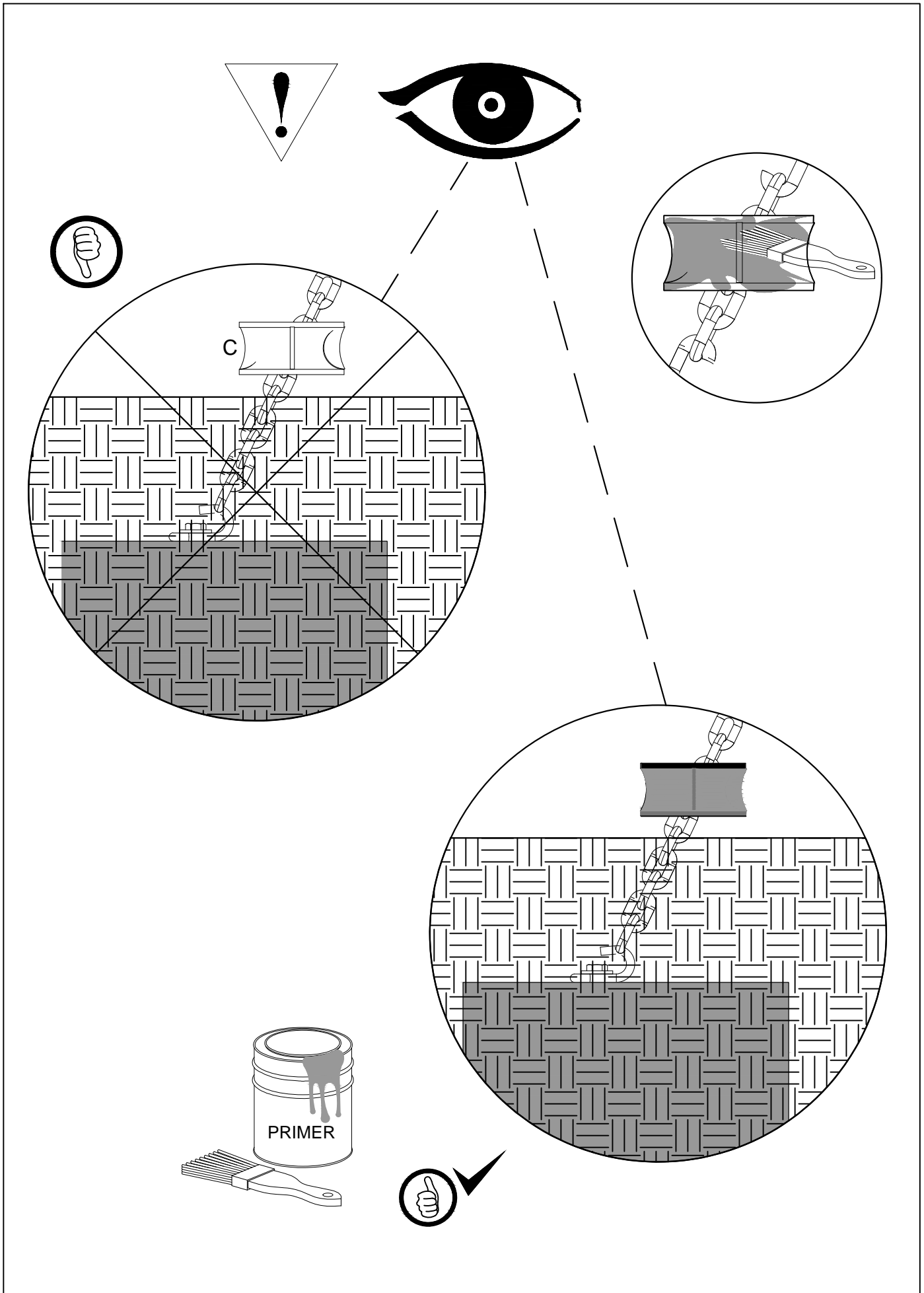
J:\Konstruktion\15_Montageanleitungen_Wartungshinweise_Hinweisblätter\09_Anderer\16-006 EPDM Chain protector\Montageanleitung\DWGs



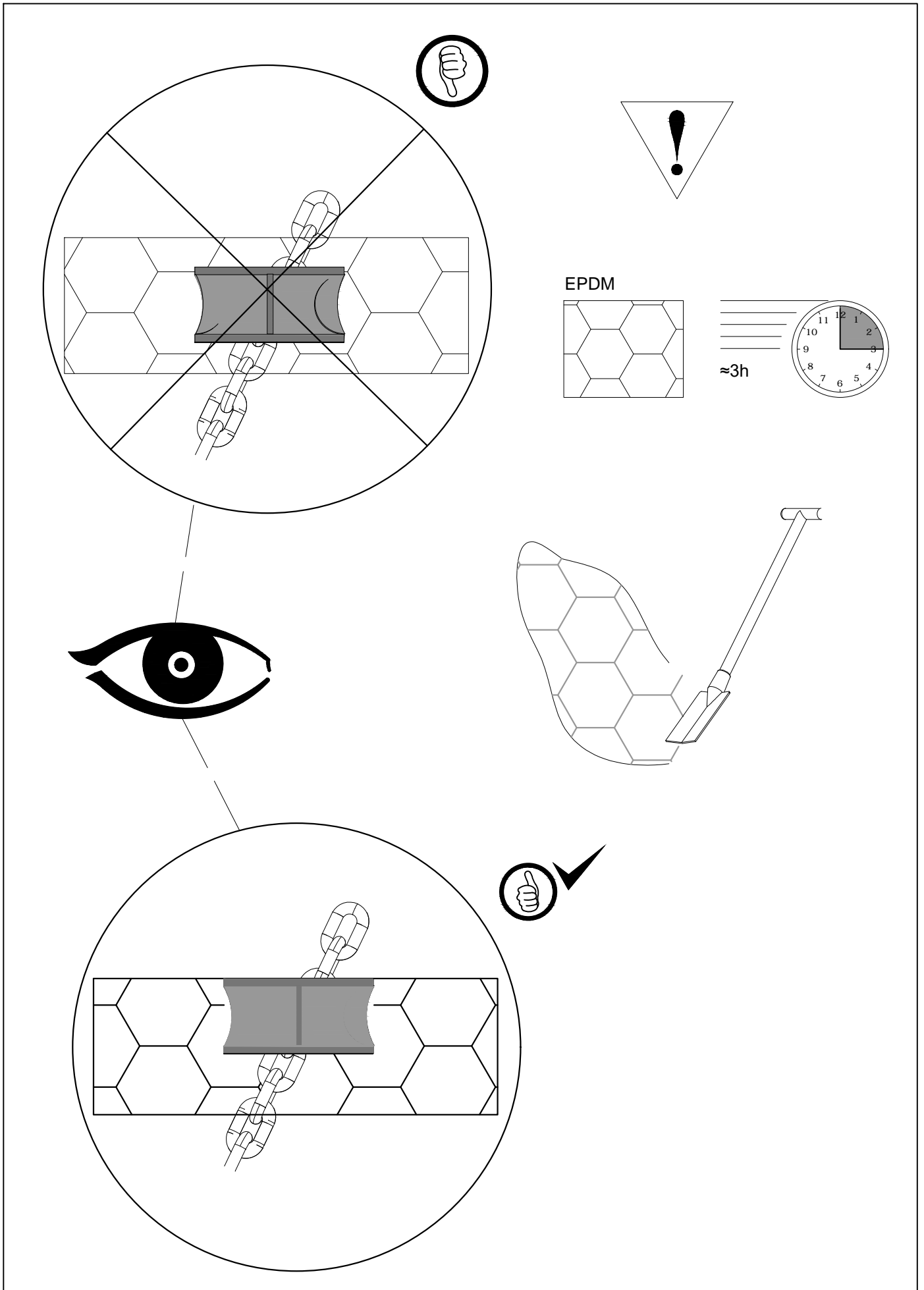
J:\Konstruktion\15_Montageanleitungen_Wartungshinweise_Hinweisblätter\09_Anderer\16-006 EPDM Chain protector\Montageanleitung\DWGs



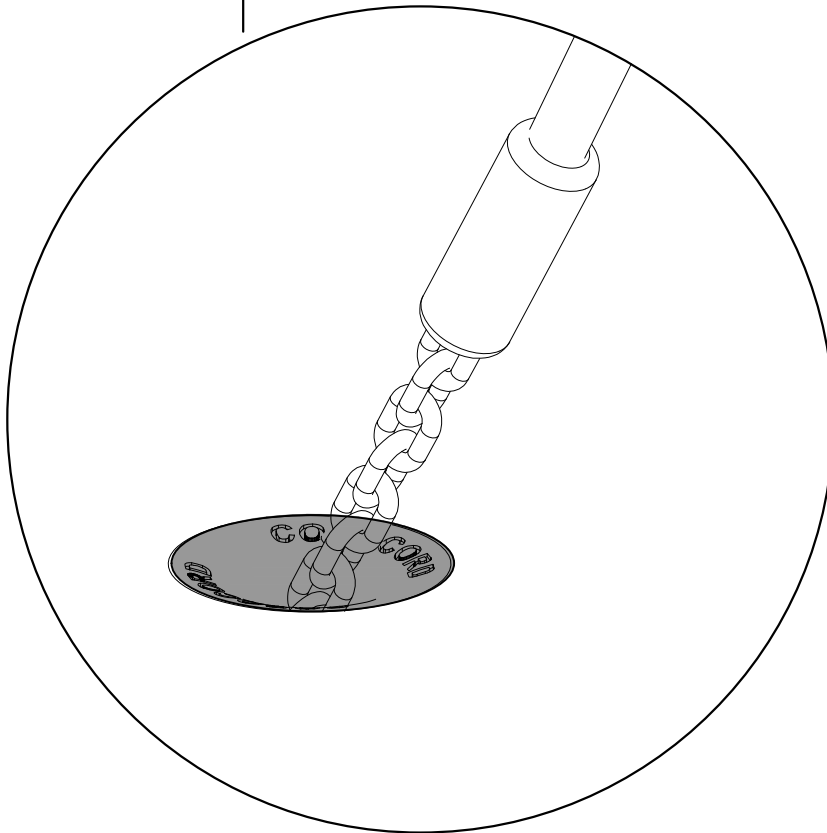
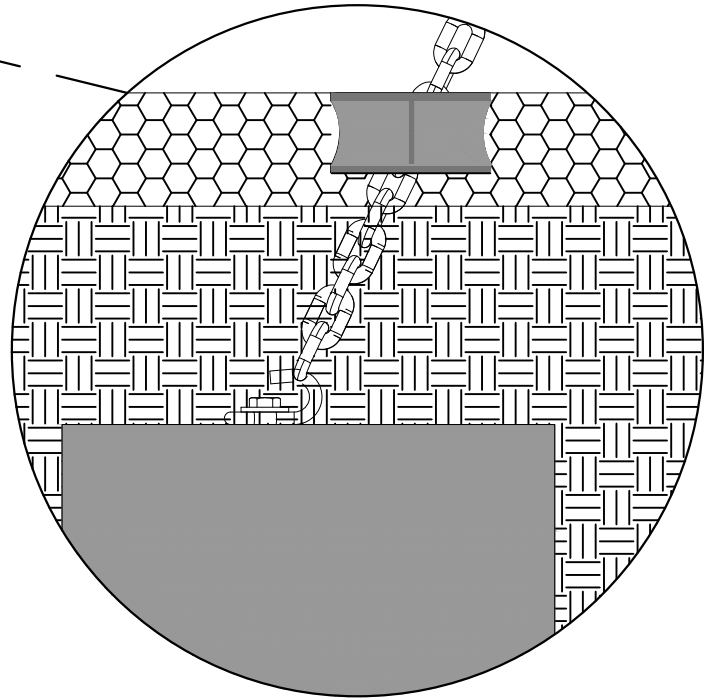
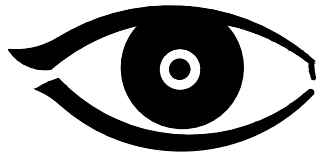
J:\Konstruktion\15_Montageanleitungen_Wartungshinweise_Hinweisblätter\09_Andere\16-006 EPDM Chain protector\Montageanleitung\DWGs



J:\Konstruktion\15_Montageanleitungen_Wartungshinweise_Hinweisblätter\09_Andere\16-006 EPDM Chain protector\Montageanleitung\DWGs

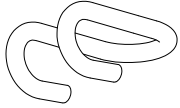


J:\Konstruktion\15_Montageanleitungen_Wartungshinweise_Hinweisblätter\09_Andere\16-006 EPDM Chain protector\Montageanleitung\DWGs

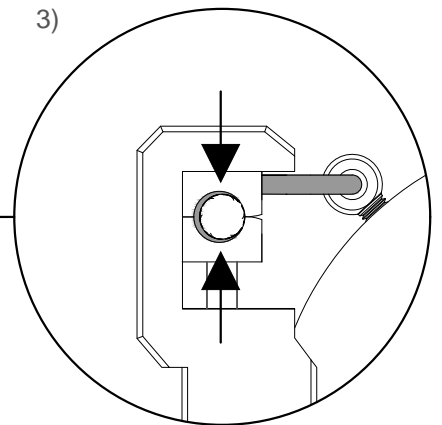
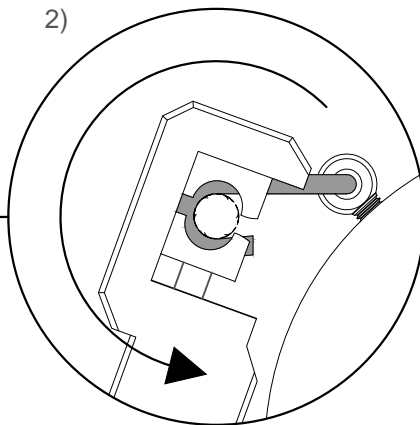
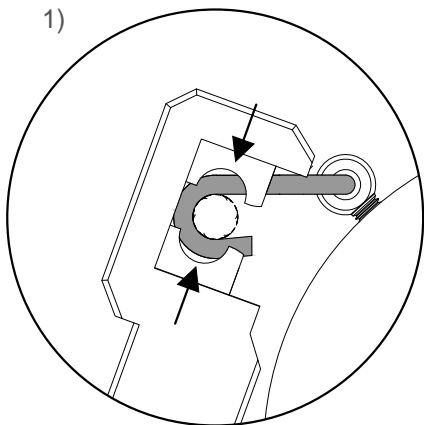
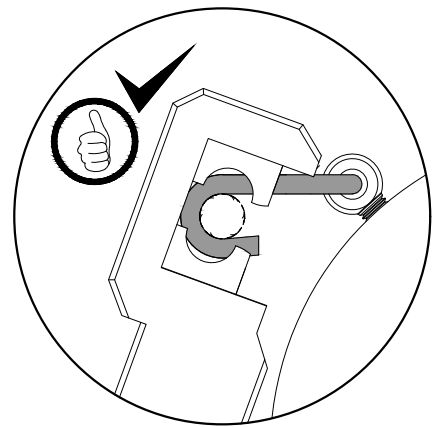
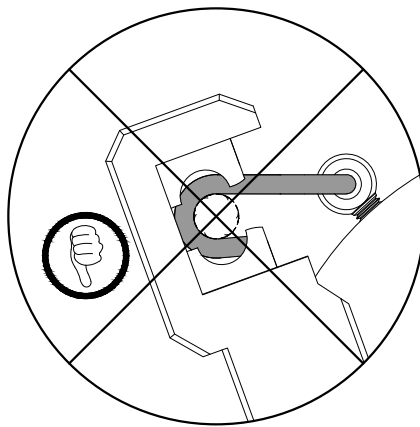
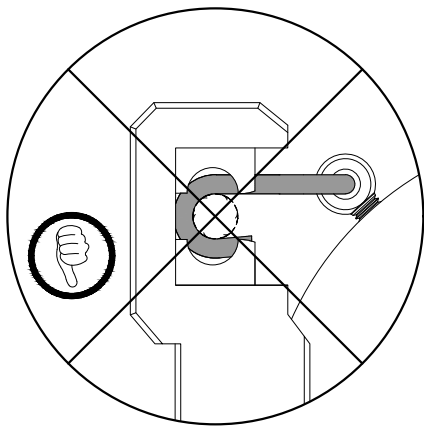
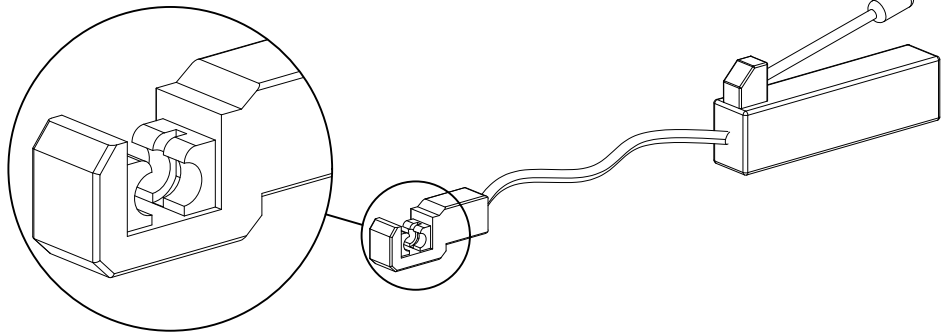


J:\Konstruktion\15_Montageanleitungen_Wartungshinweise_Hinweisblätter\09_Andere\16-006 EPDM Chain protector\Montageanleitung\DWGs

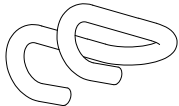
S-Hook on eyebolt



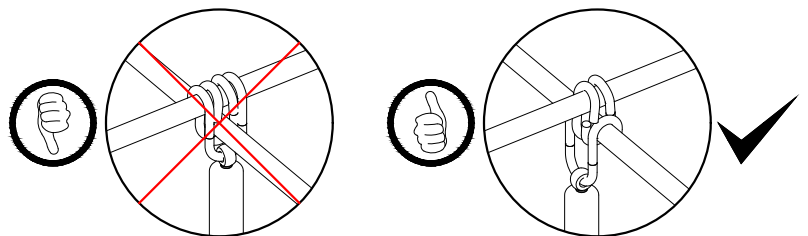
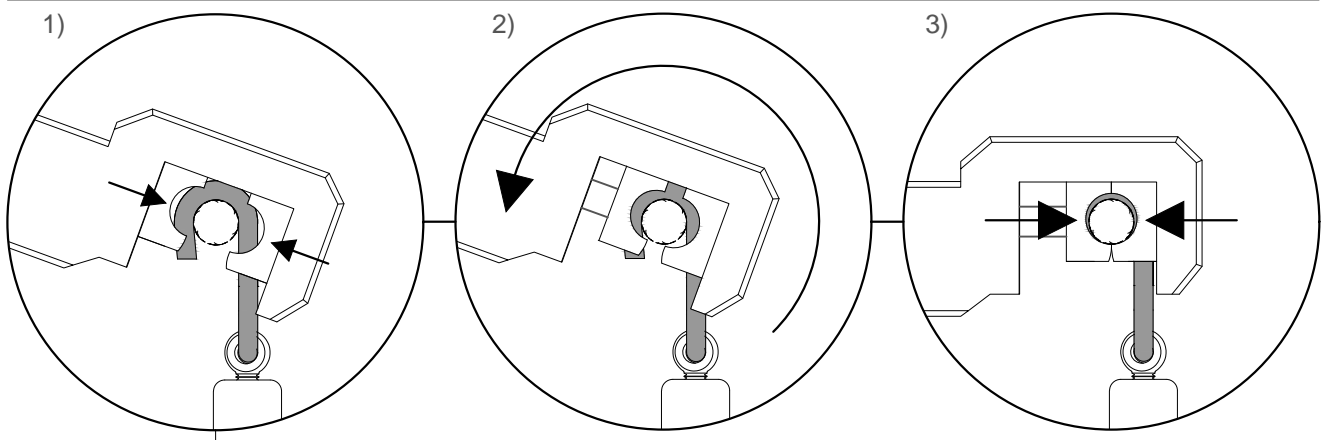
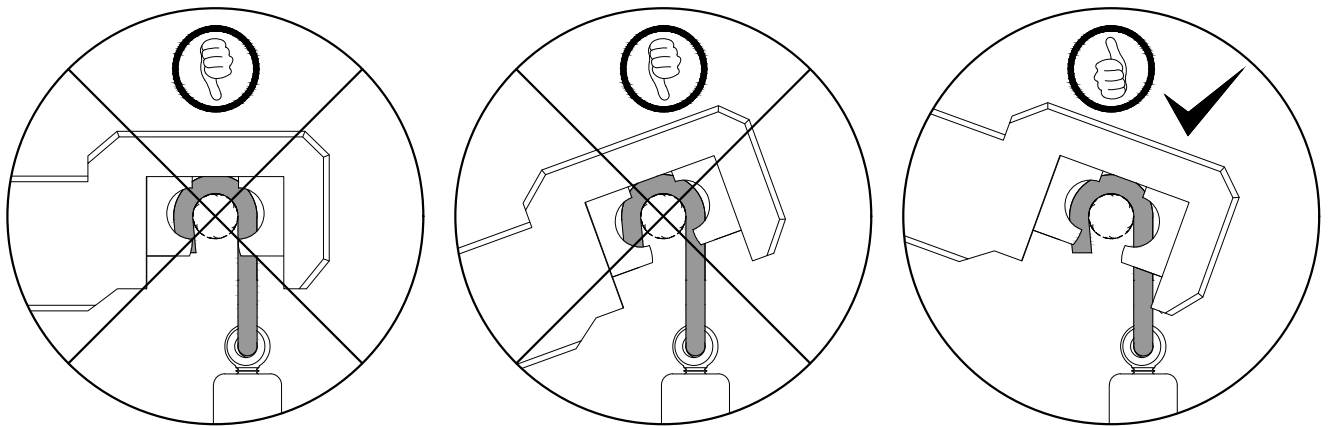
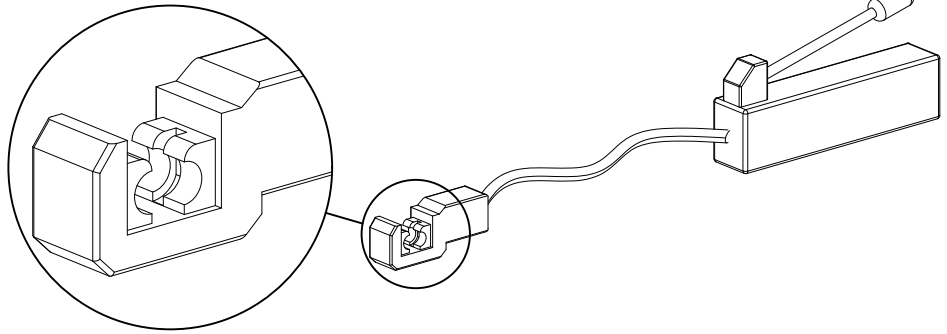
A842152-52



S-Hook on liana rope

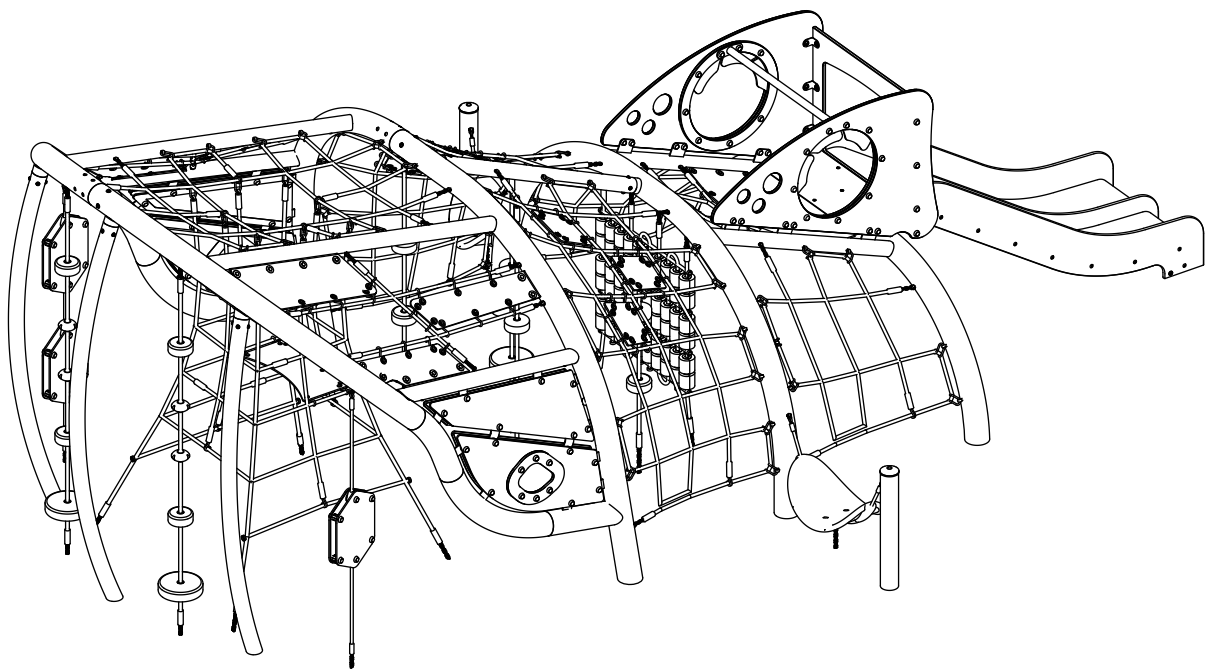


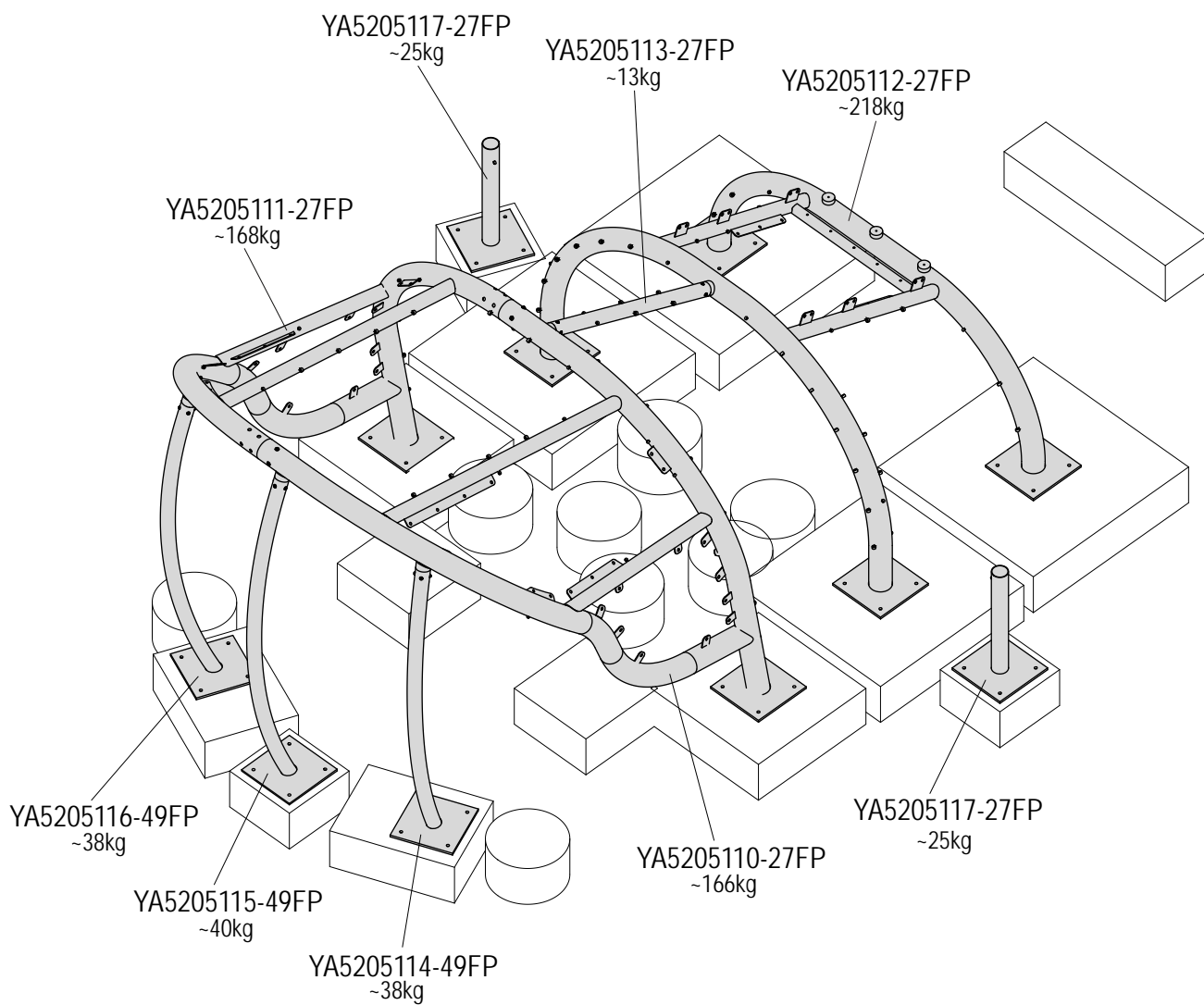
A842152-52



J:\Konstruktion\15_Montageanleitungen_Wartungshinweise_Hinweisblätter\Hinweisblätter\H 100\H 180 Installation of S-Hook pressing\DWG's\H 180 Installation of S-Hook pressing_int rev1.dwg

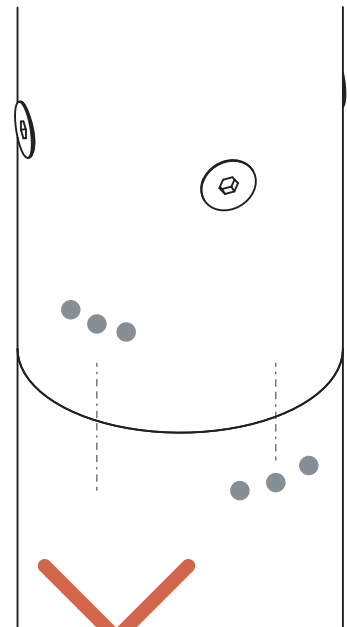
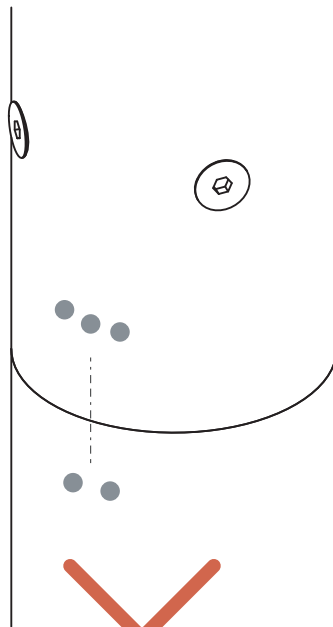
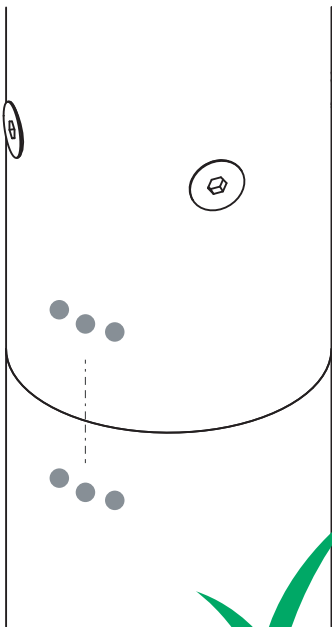
KOMPAN!
KNS8500489







Please note: Steel parts have marks
Make sure to put all parts in correct position and orientation.





A

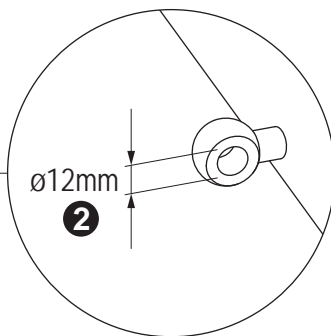
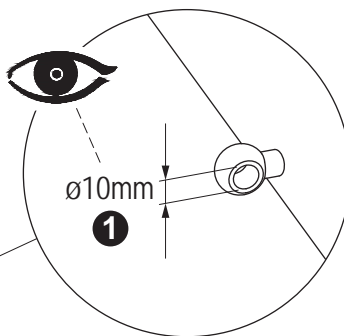
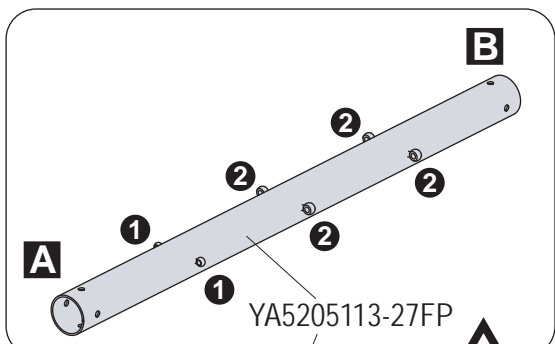


701022

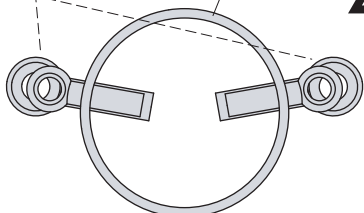
B



601020-A2



TOP

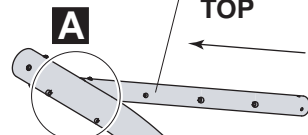


BOTTOM



YA5205113-27FP
~13kg

TOP

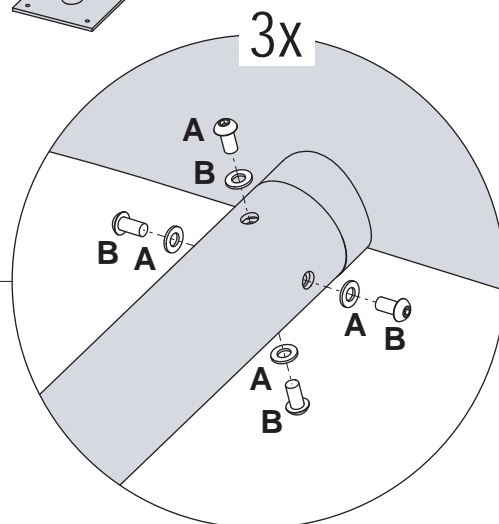
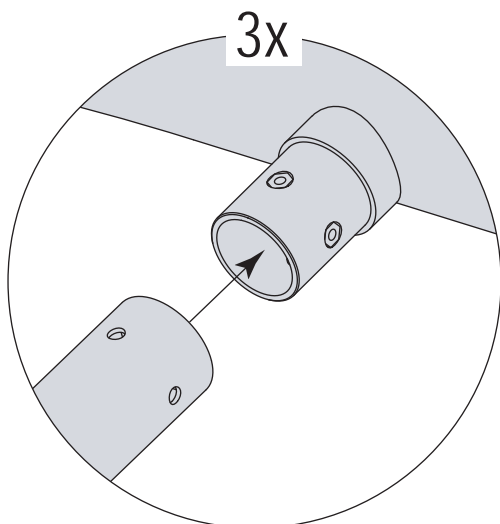


BOTTOM

YA5205110-27FP
~166kg

YA5205115-49FP
~40kg

YA5205114-49FP
~38kg





A

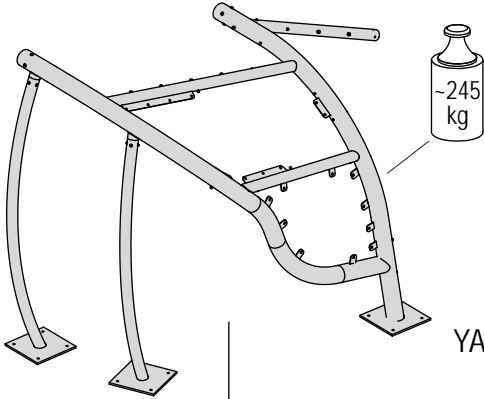


701022

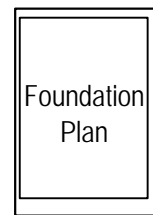
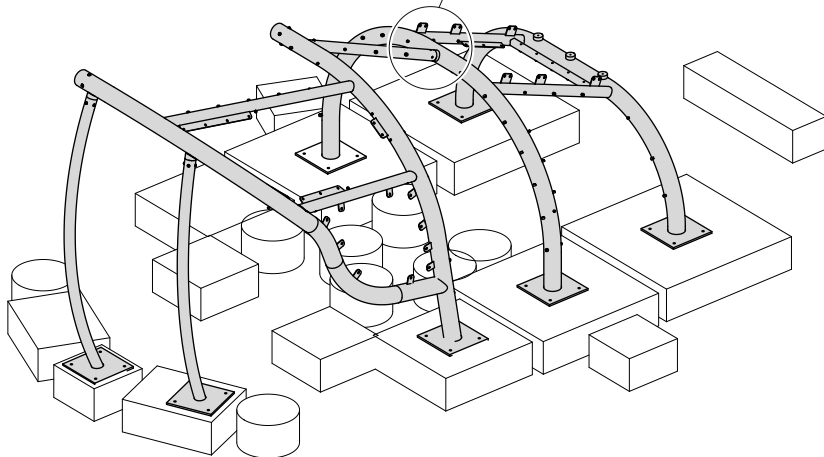
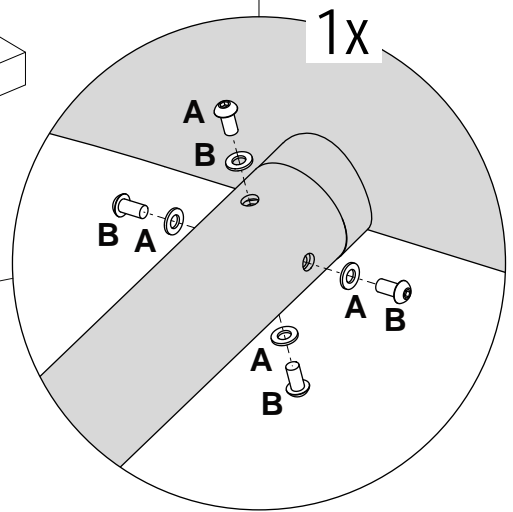
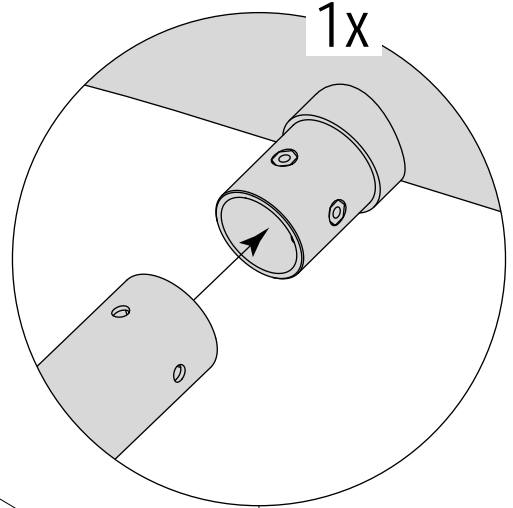
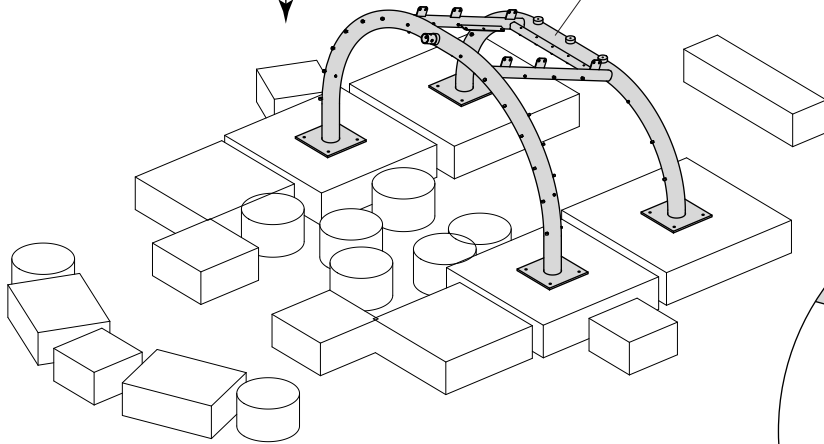
B



601020-A2



YA5205112-27FP
~218kg



VKNS8500489 20230519 MatejS



A

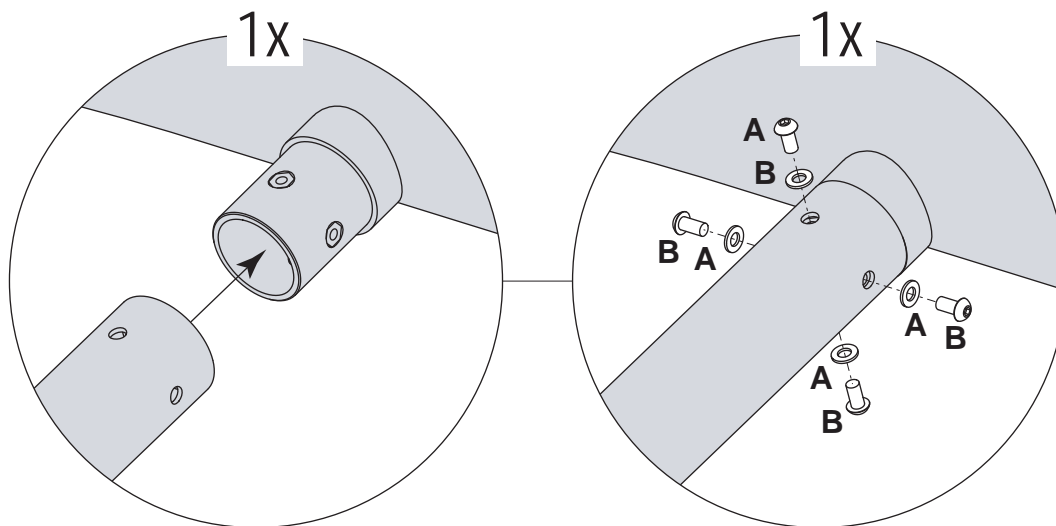


701022

B



601020-A2



YA5205111-27FP
~168kg

YA5205116-49FP
~38kg



A

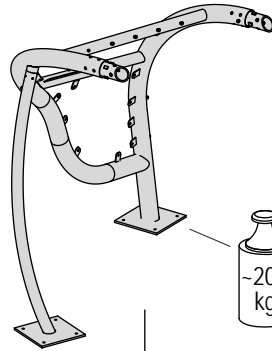


B

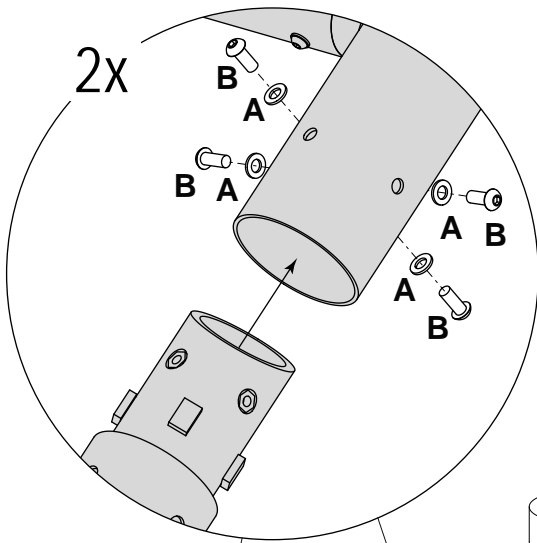


201305013024

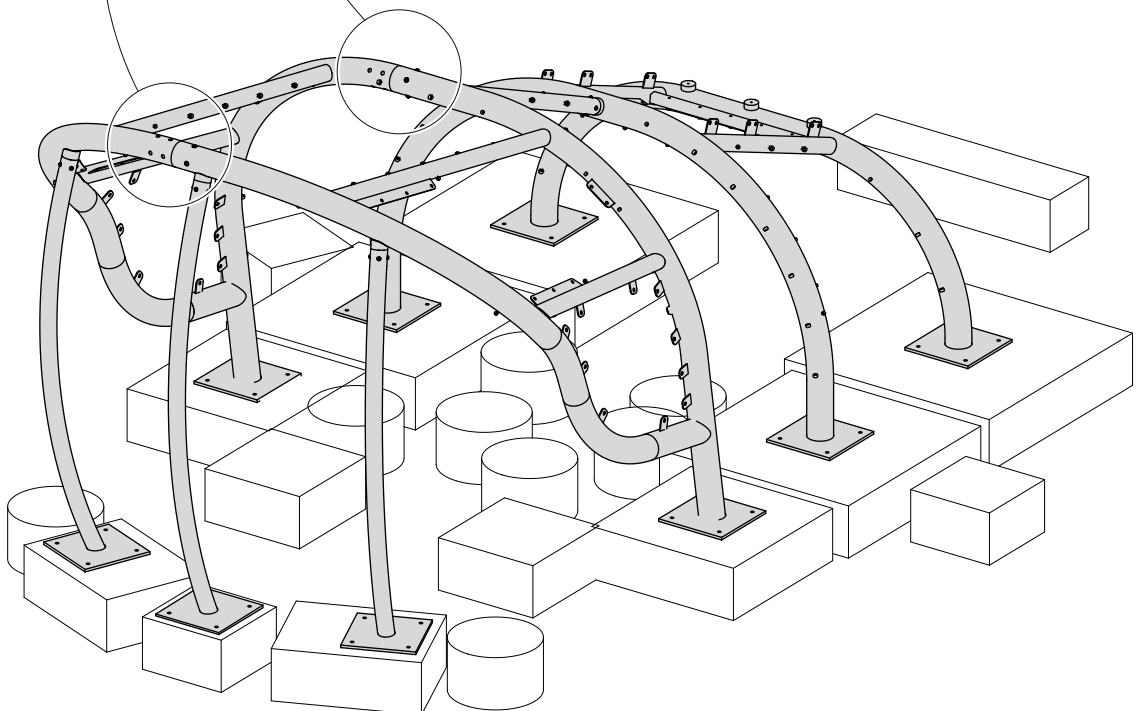
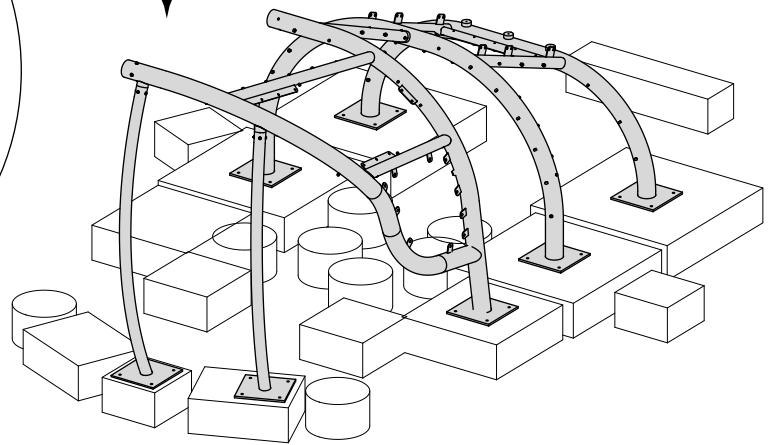
200304312030

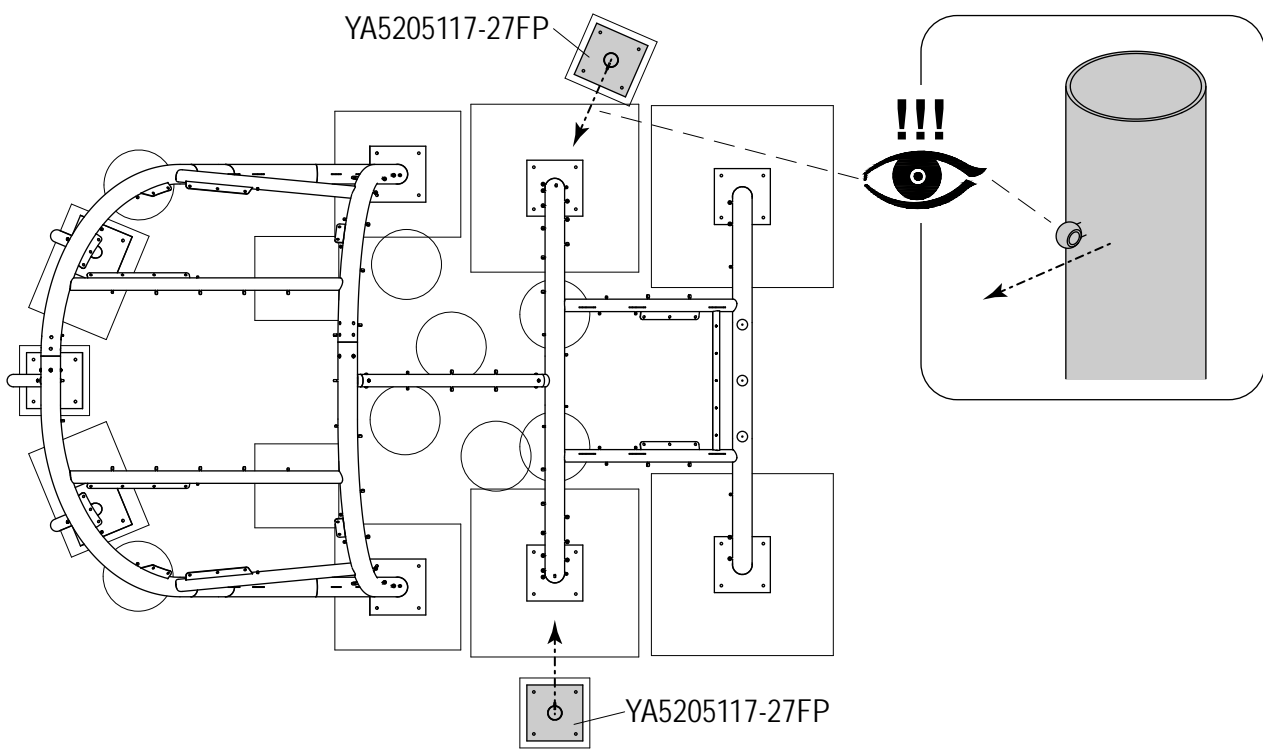
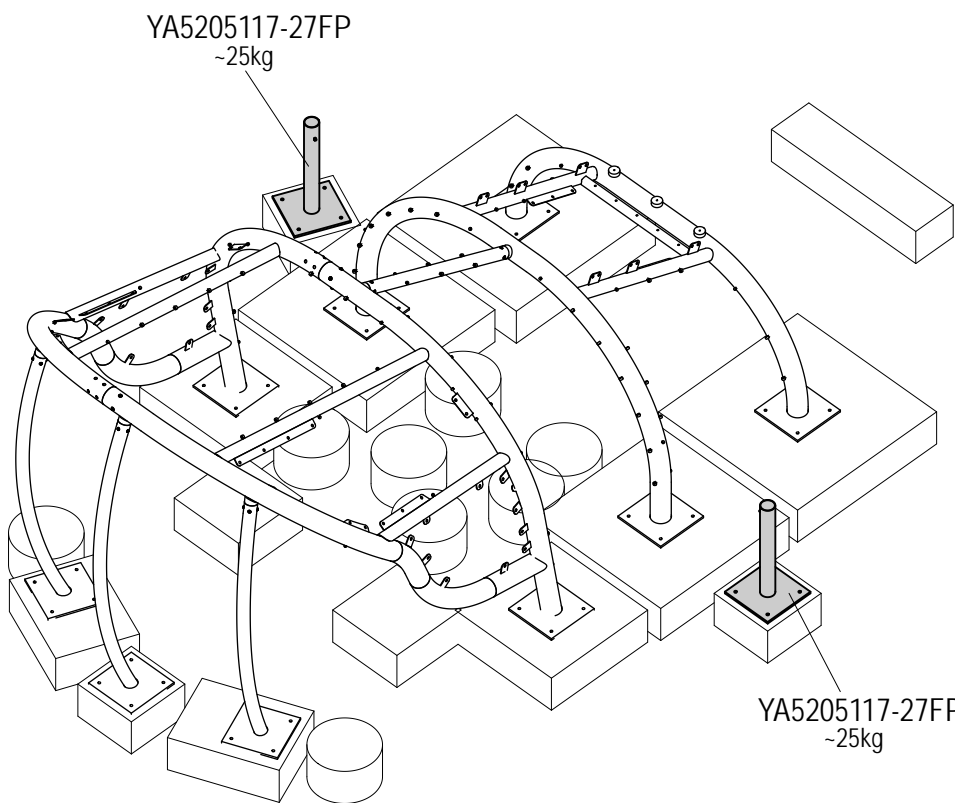


207 kg



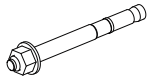
2X



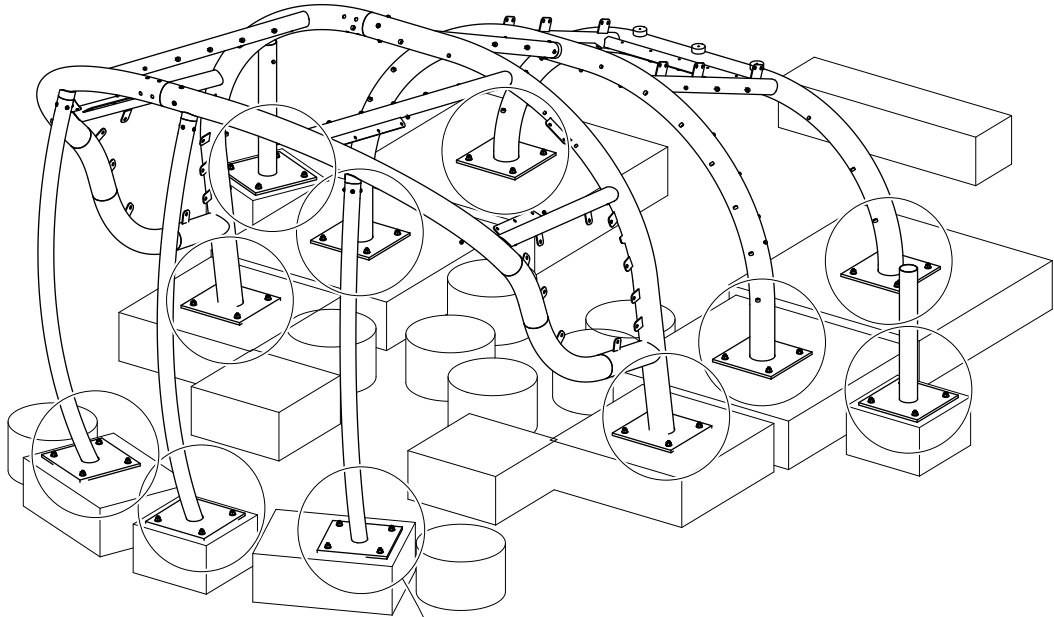




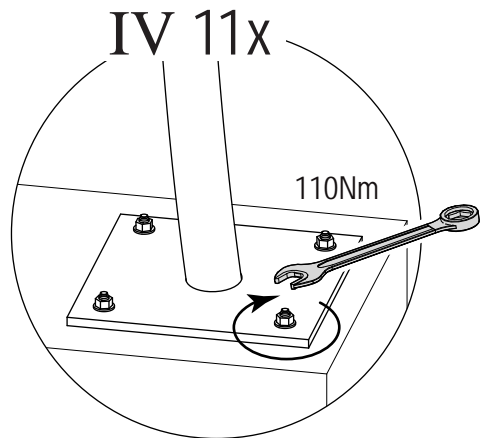
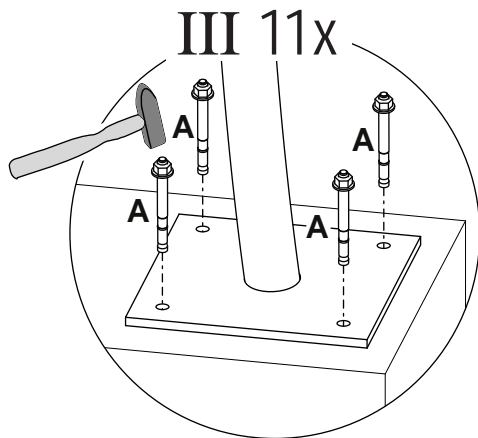
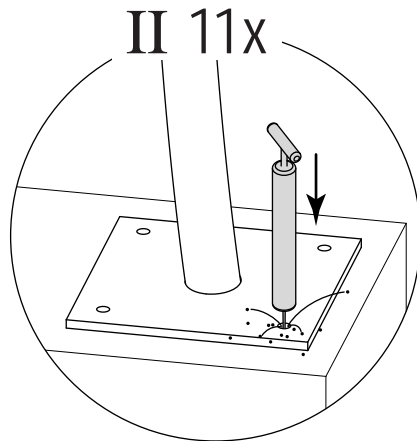
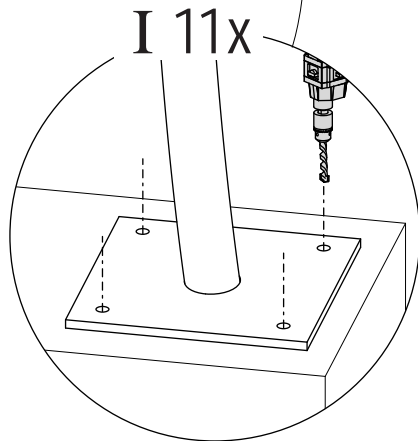
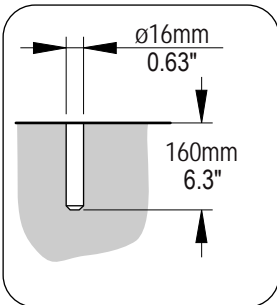
A



400707916173

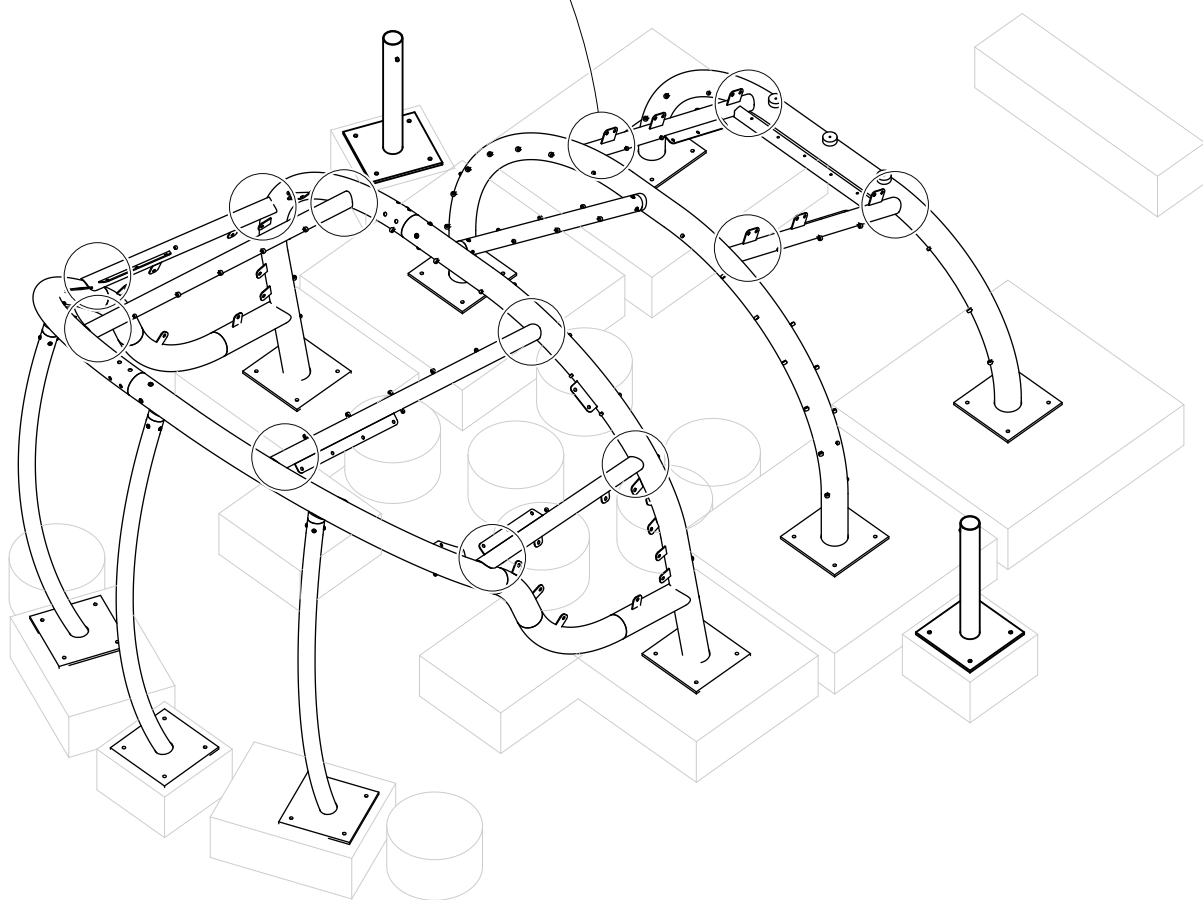
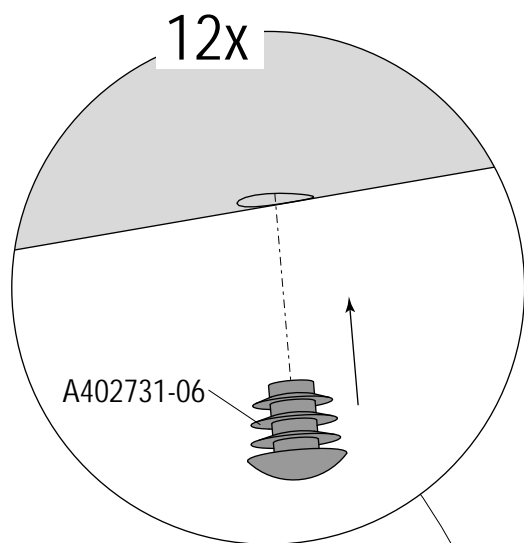


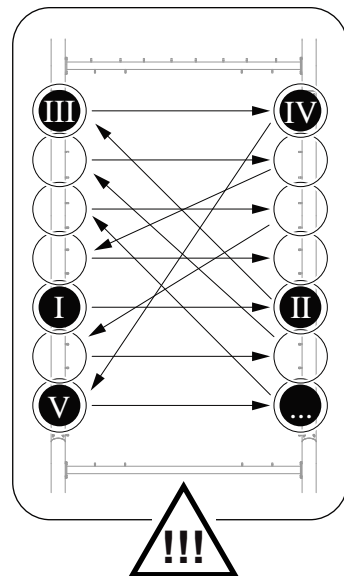
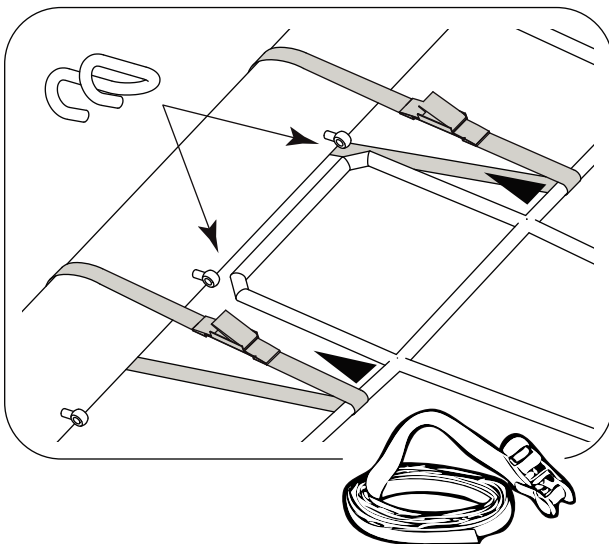
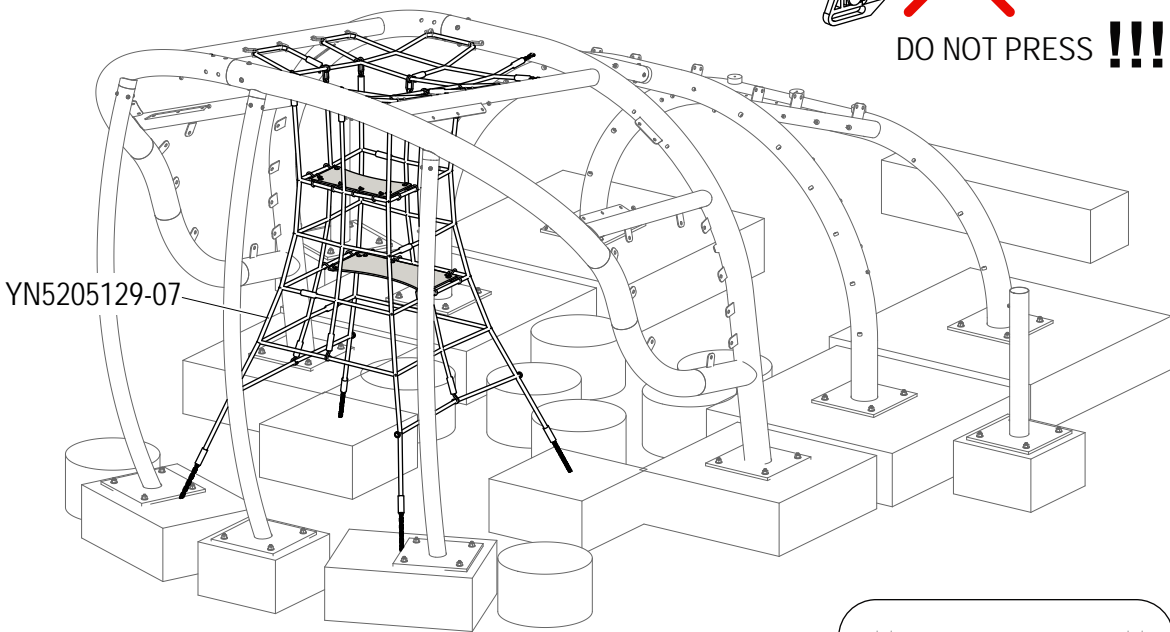
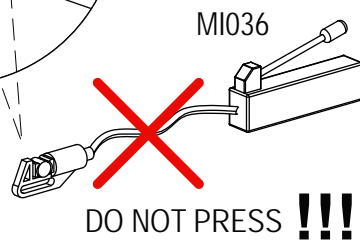
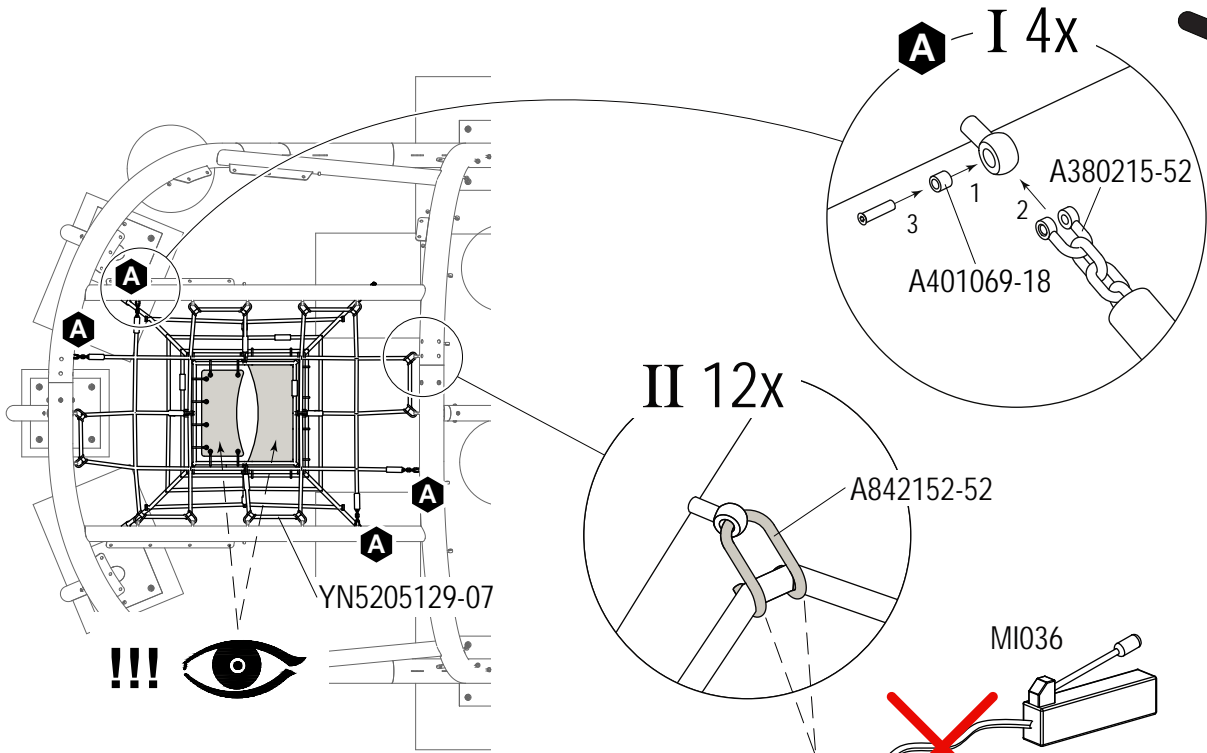
M16x173 (FAZ II 16/50 R)
400707916173



24mm







add clamps in a criss-cross pattern to stretch the net evenly along all sides

Copyright©KOMPAN A/S



A



A842157-52

B



201307115044

C



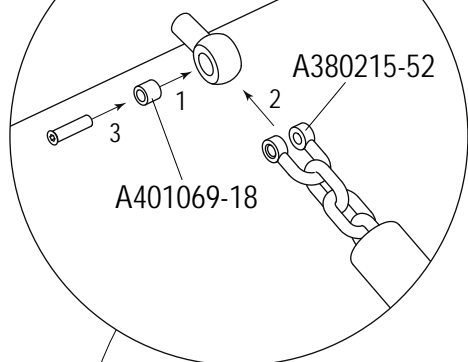
201307113037

D

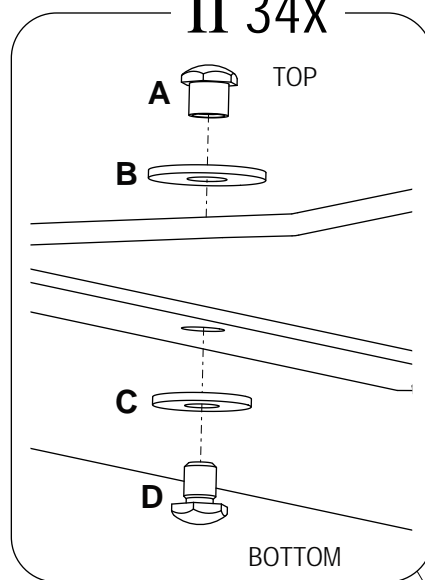


A842156-52

A I 30x



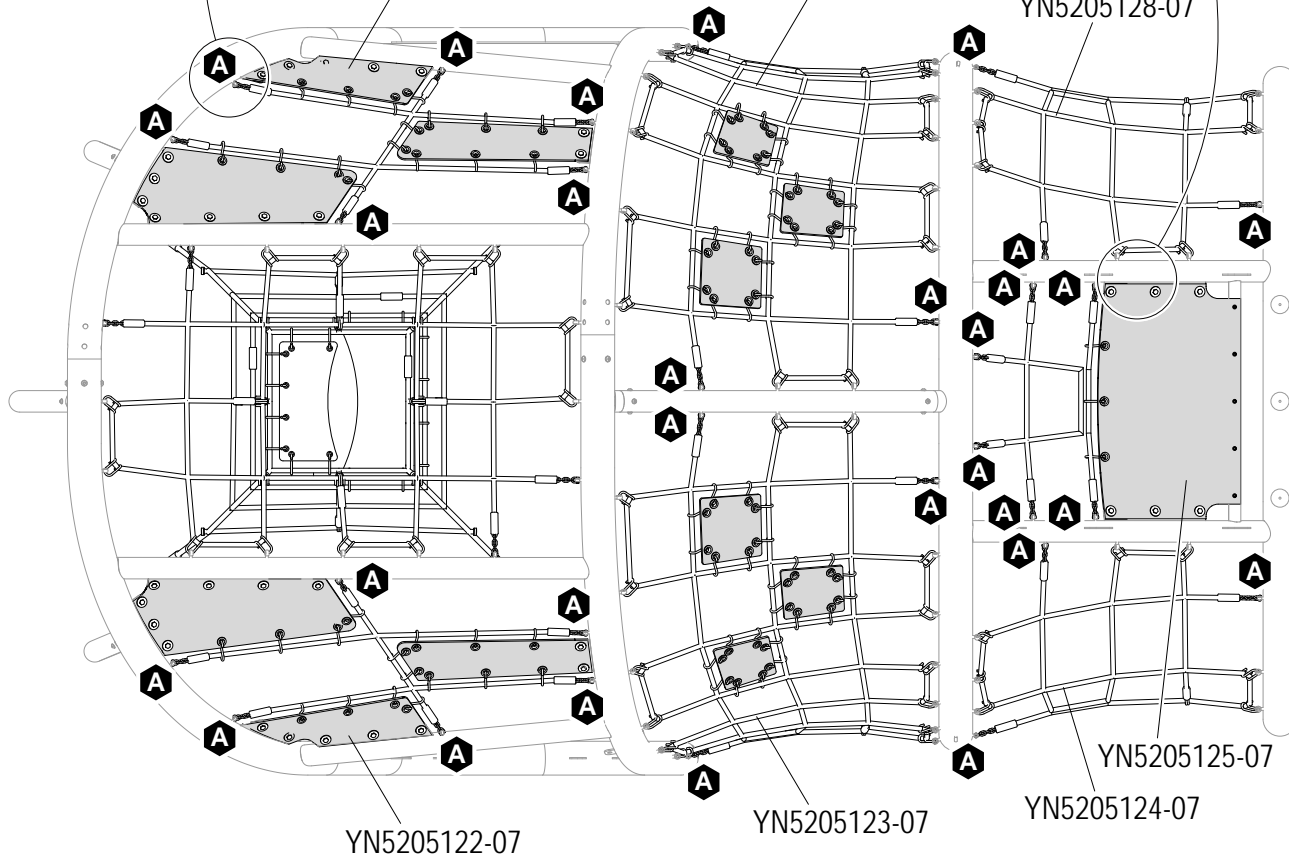
II 34x



YN5205126-07

YN5205127-07

YN5205128-07

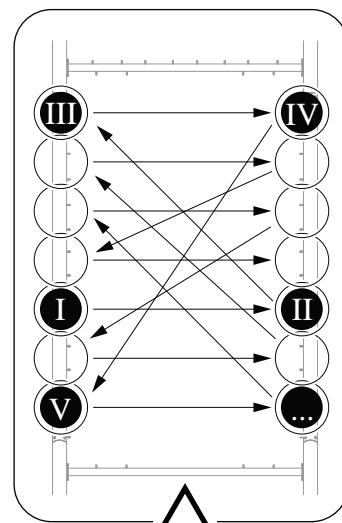
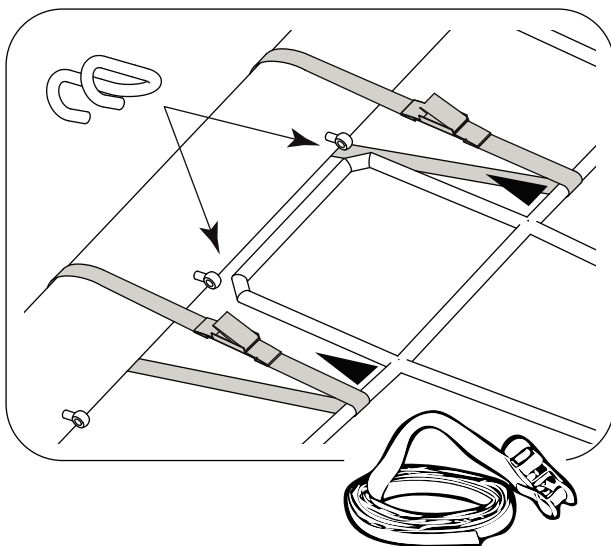
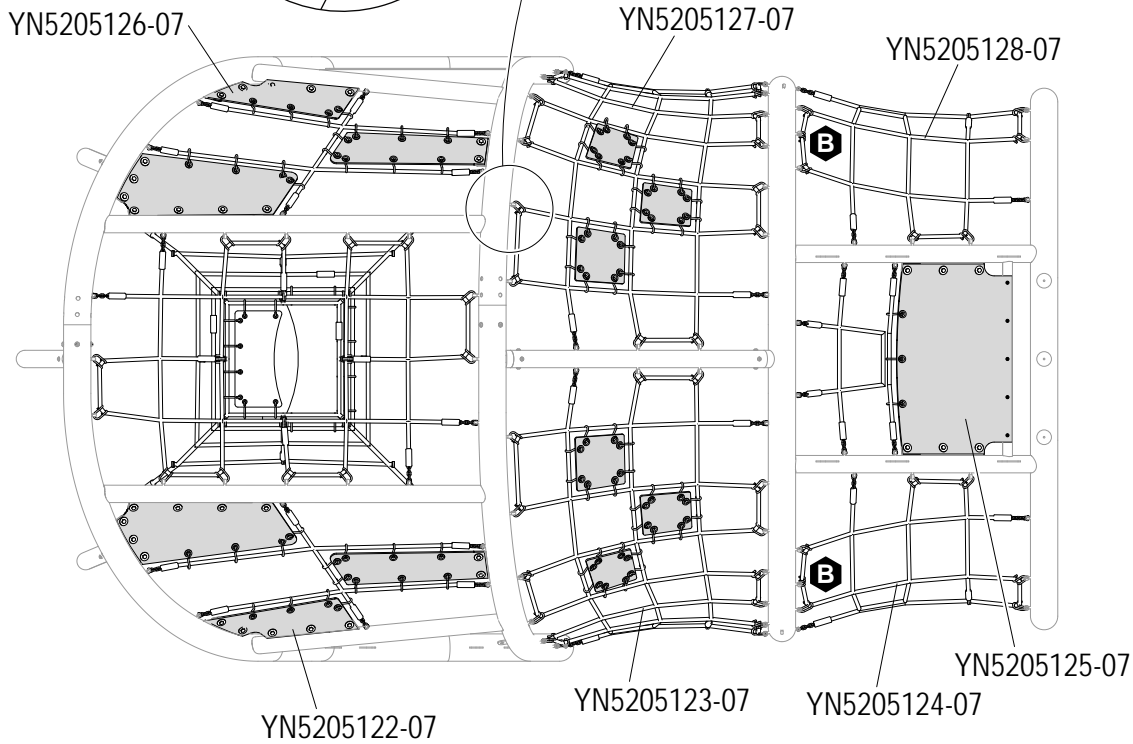
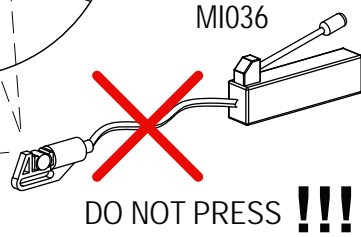
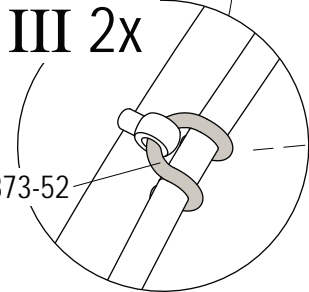
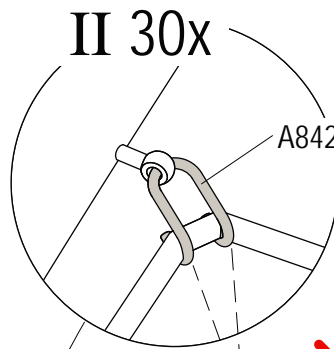
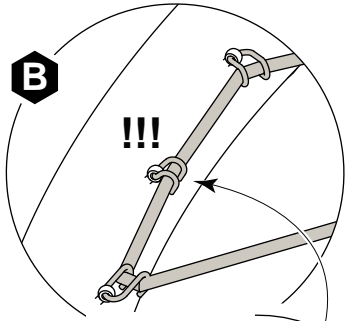


YN5205122-07

YN5205123-07

YN5205124-07

YN5205125-07



add clamps in a criss-cross pattern to stretch the net evenly along all sides

Copyright©KOMPAN A/S

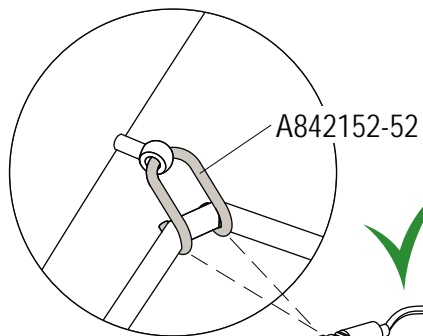


A842152-52



H180

A842873-52

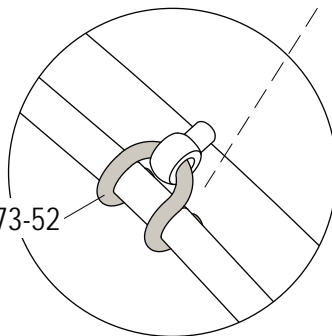


A842152-52

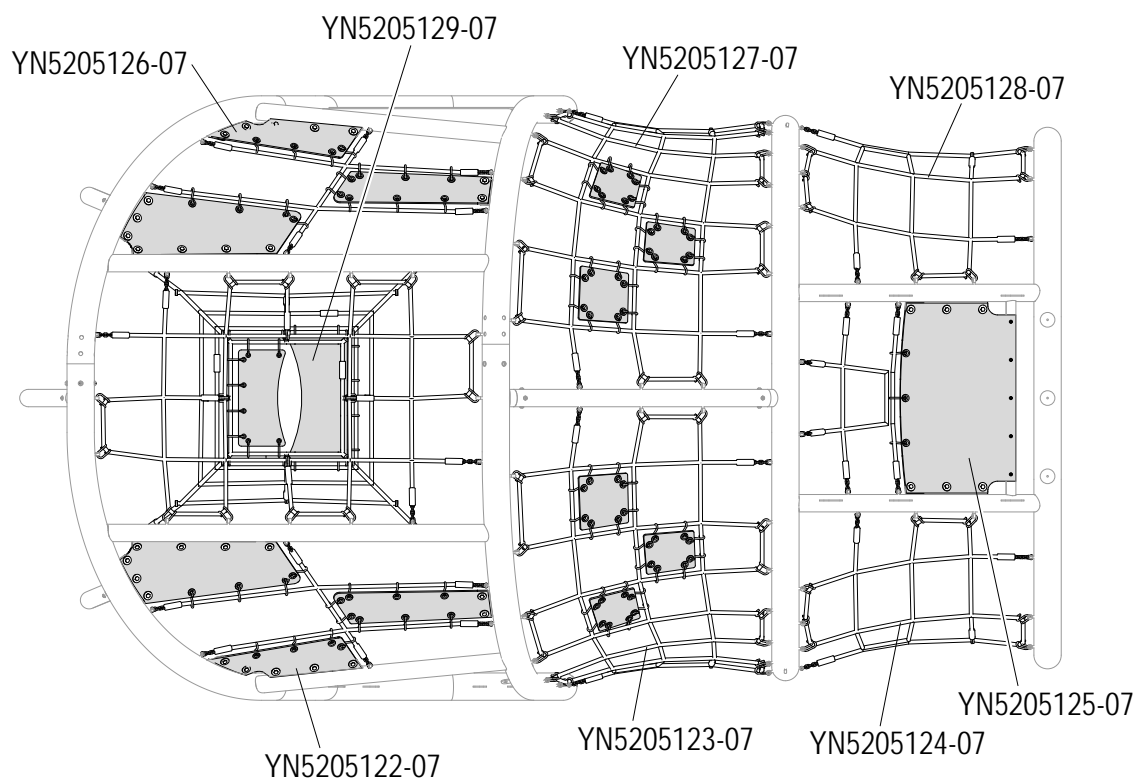


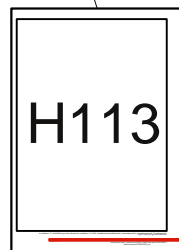
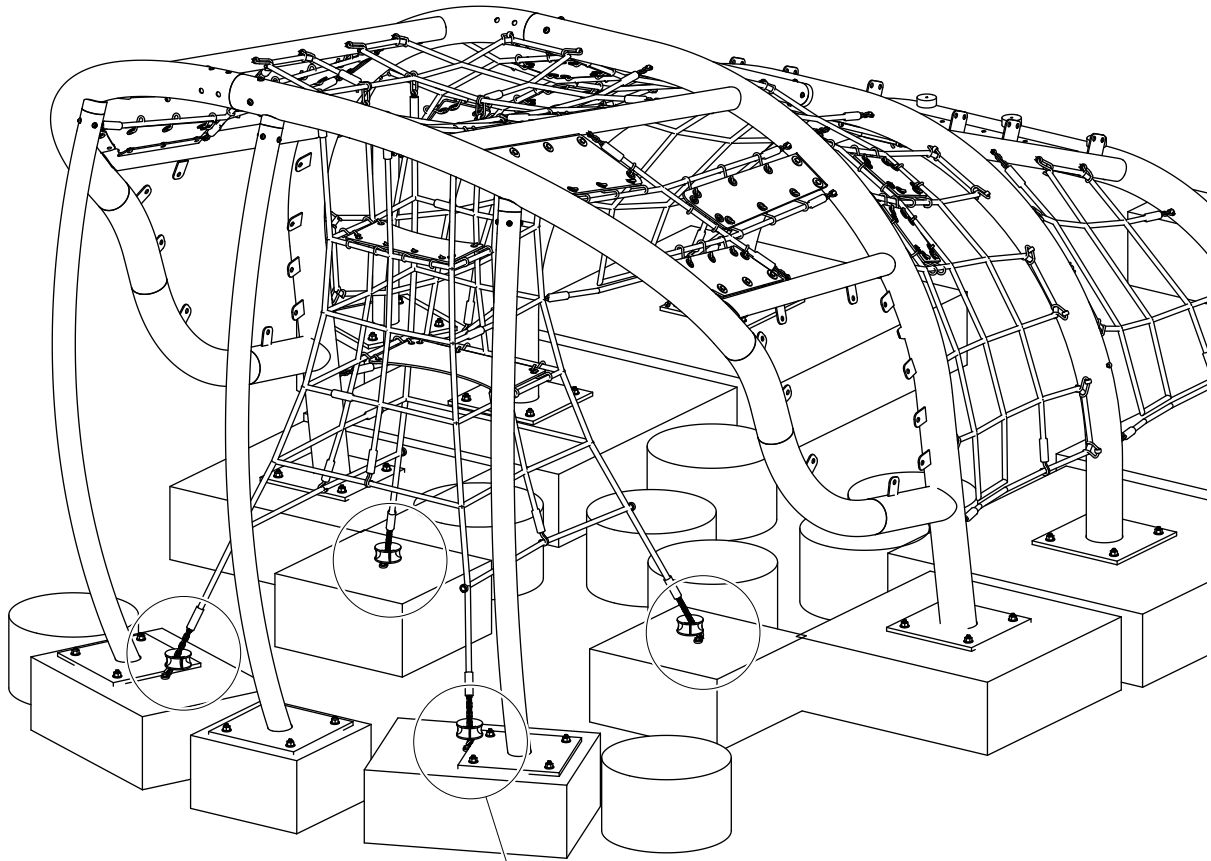
MI036

PRESS ALL CLAMPS !!!



A842873-52



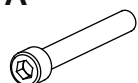


4x





A



YA5205138-52

B



A10080-06

C



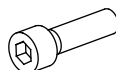
400210

D



A100-31

E

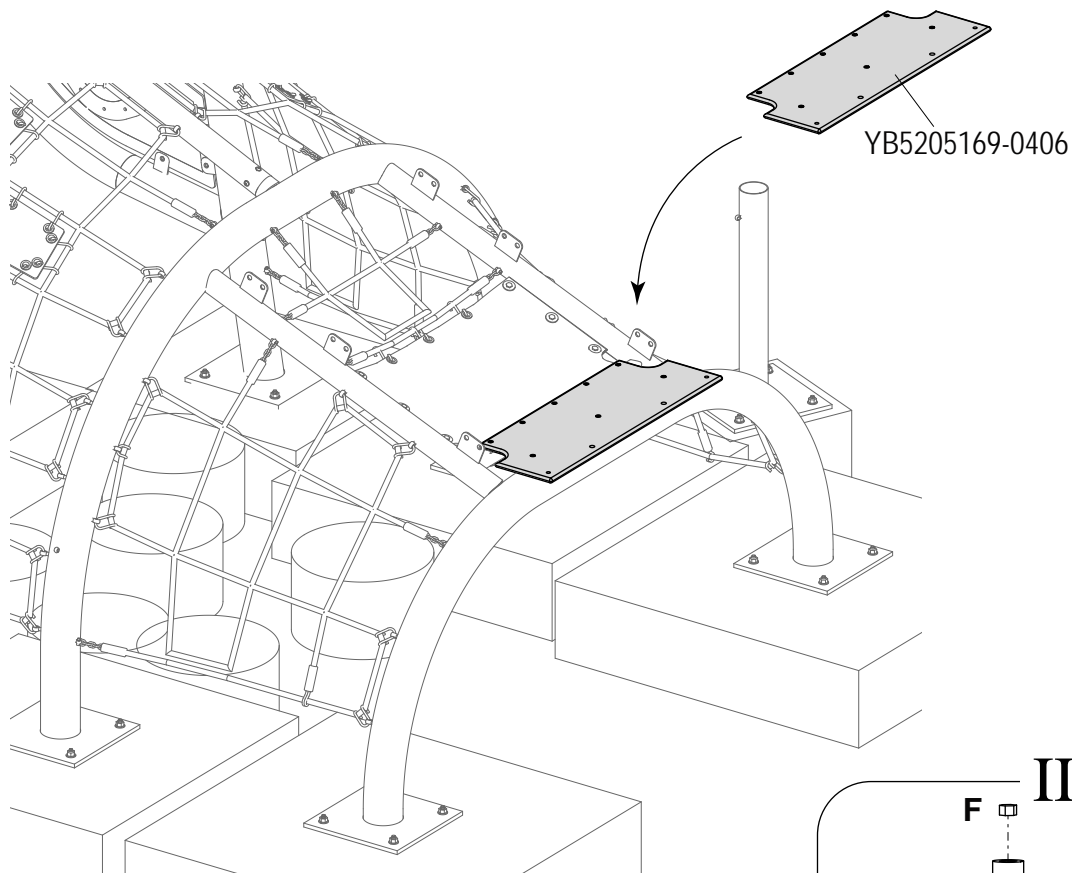


911035

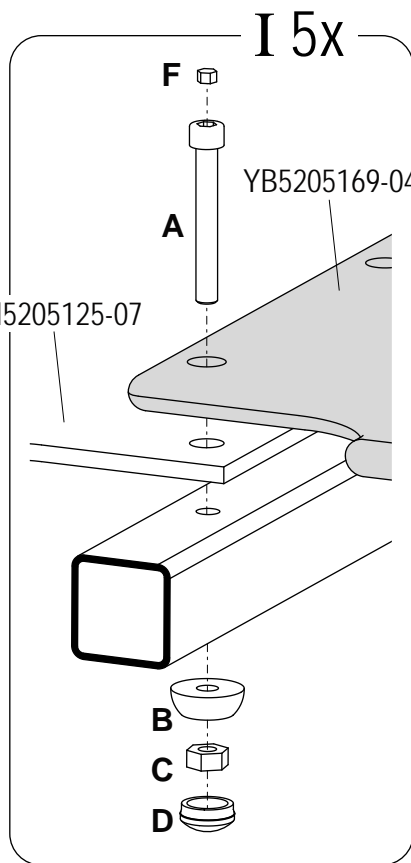
F



A900215-06



YB5205169-0406



I 5x

F

A

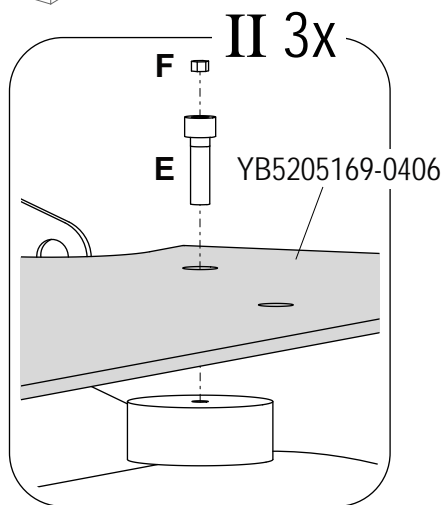
YB5205169-0406

YN5205125-07

B

C

D

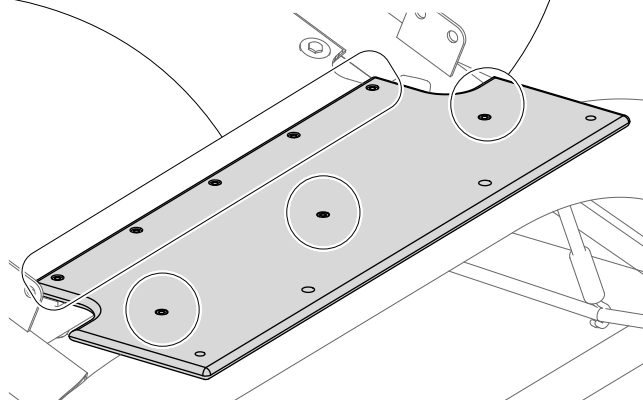


II 3x

F

E

YB5205169-0406



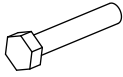


A



A10080-06

B



210055

C



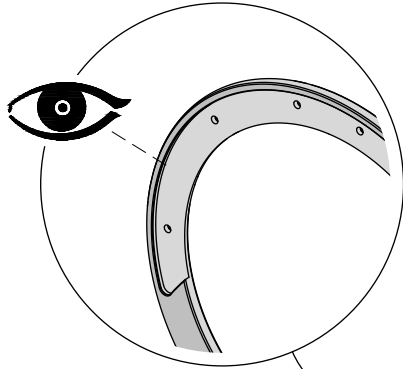
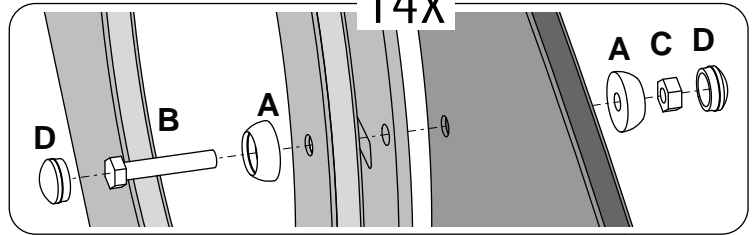
400210

D

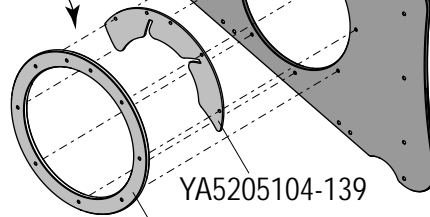


A100-31

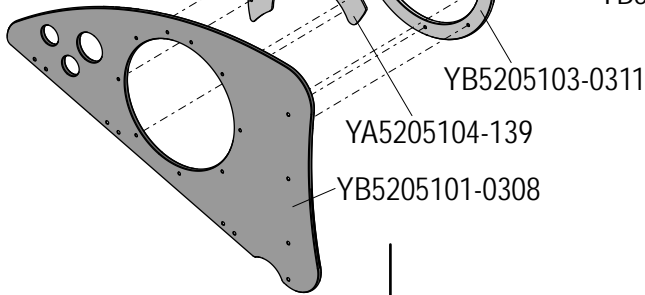
14x



YB5205101-0308



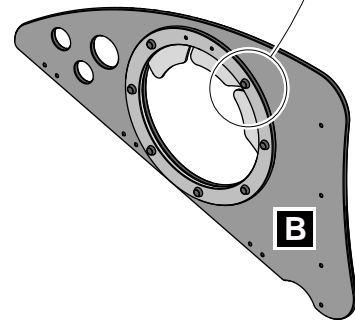
YB5205103-0311



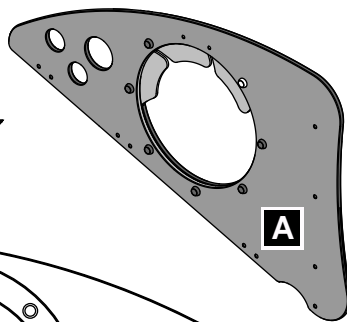
YB5205103-0311

YA5205104-139

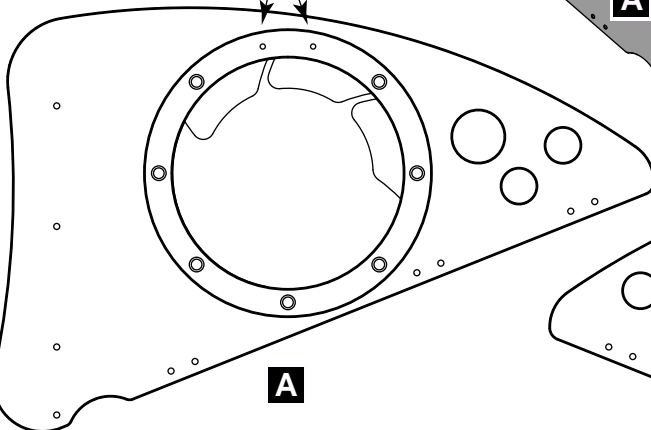
YB5205101-0308



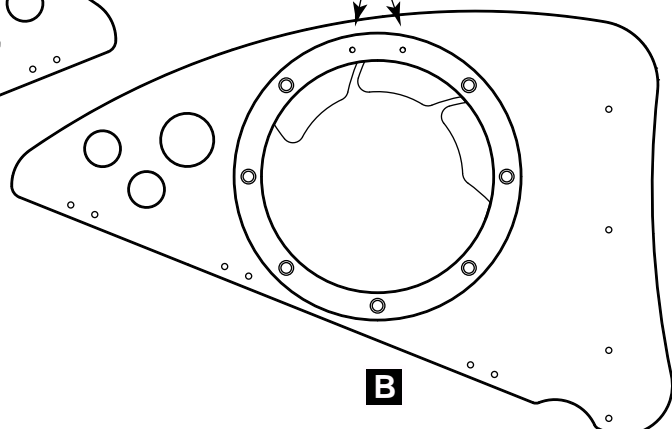
B



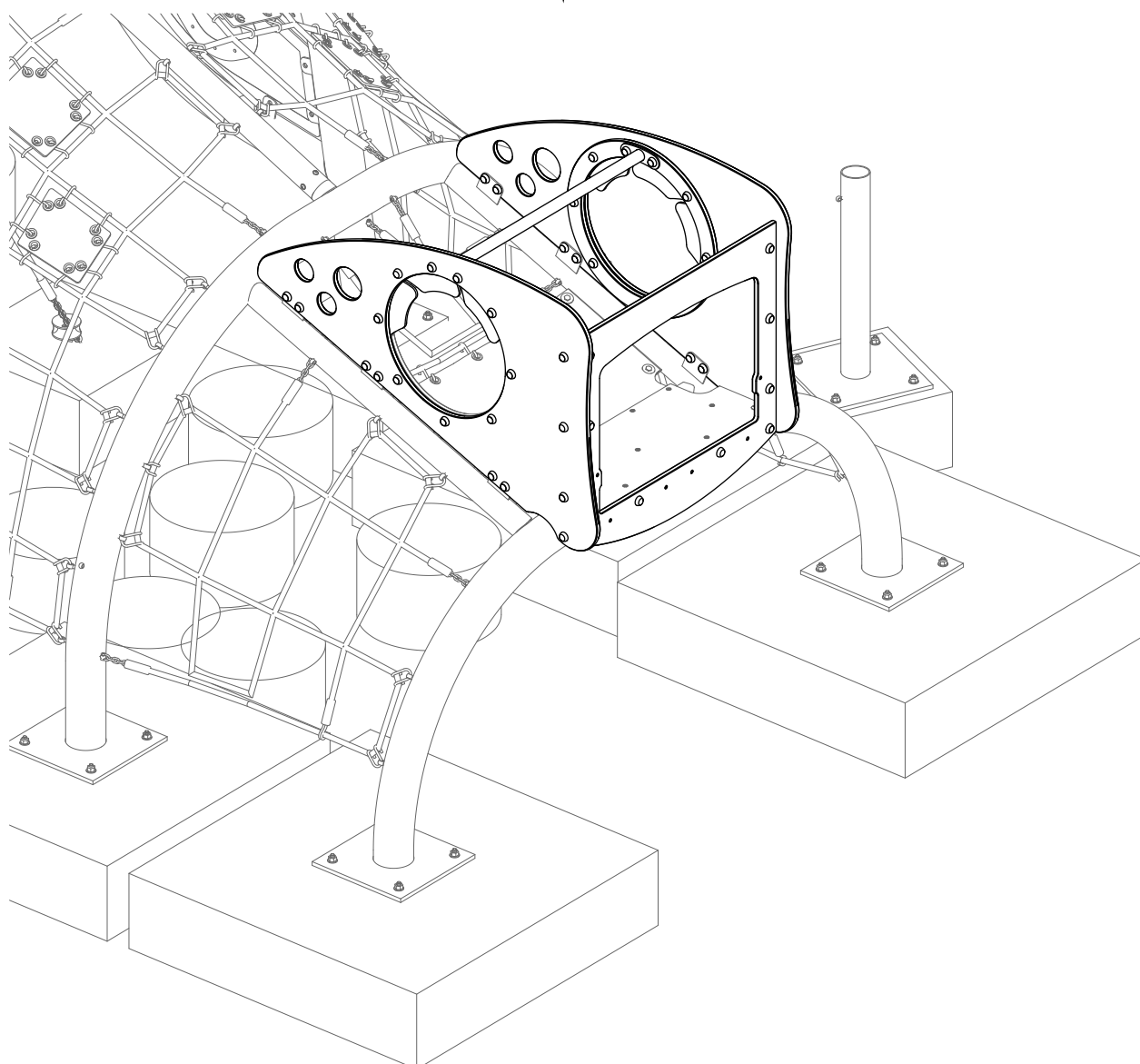
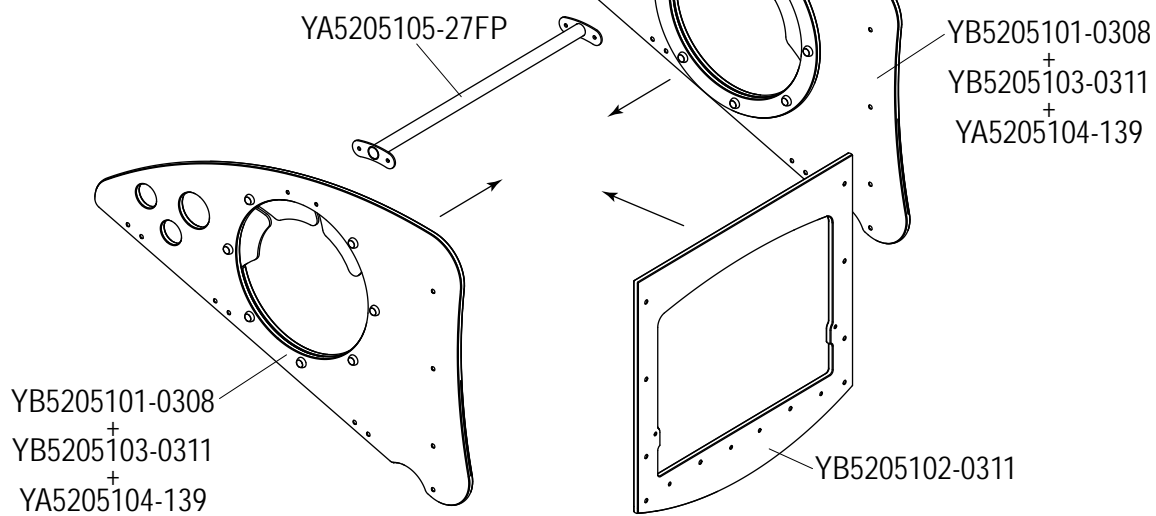
A



A



B





A



A10080-06

B



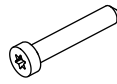
A400278-128

C



201301008016

D



250100408045

E



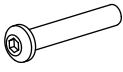
400008-A2

F



A100-31

G



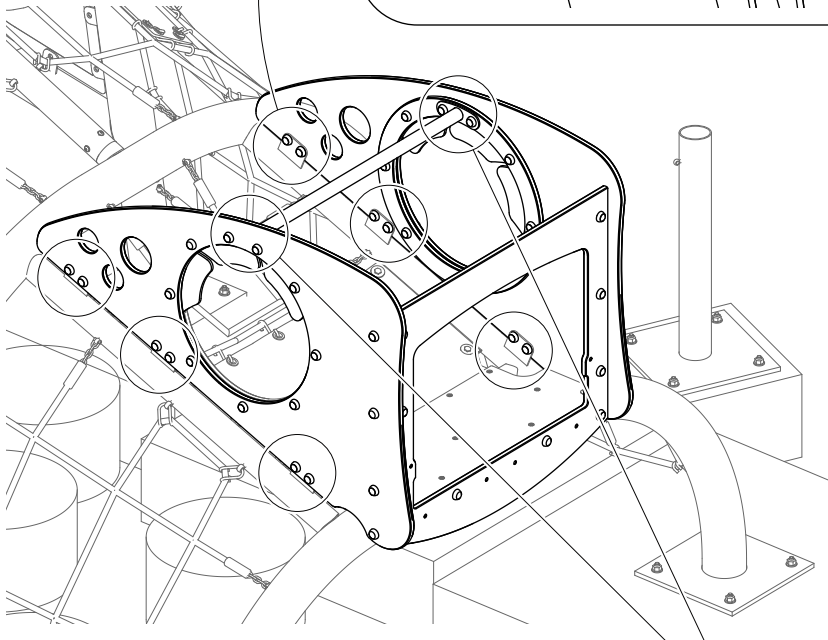
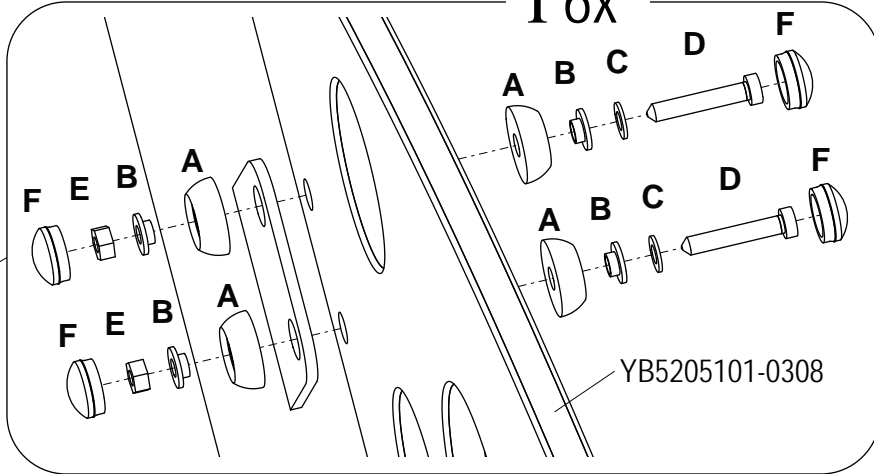
601060

H

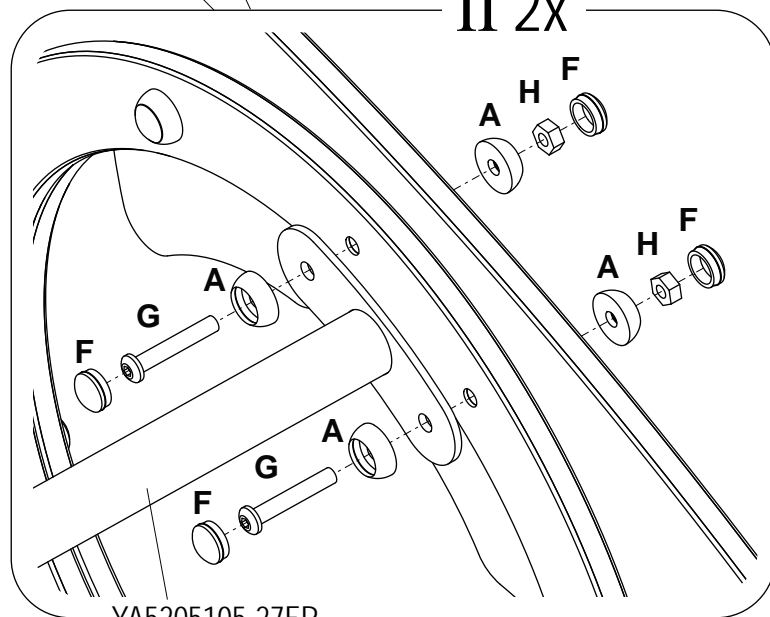


400210

I 6x



II 2x



VKNS8500489 20230519 MatejS



A



A380025-199

B



A10080-06

C



A400278-128

D

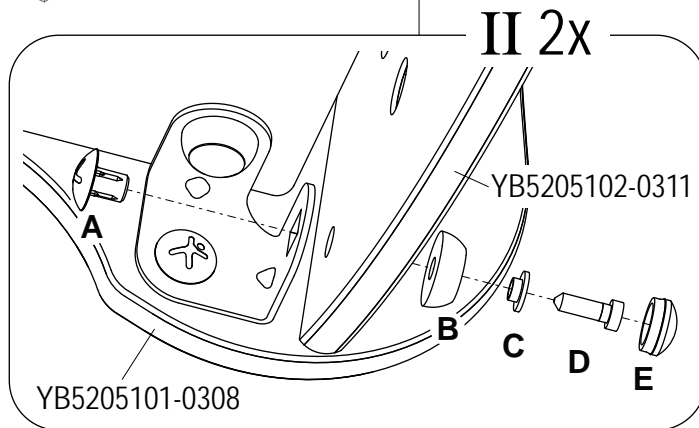
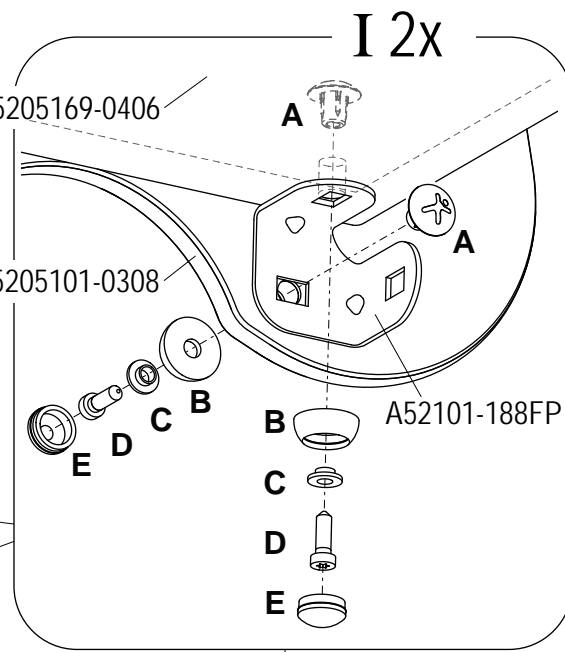
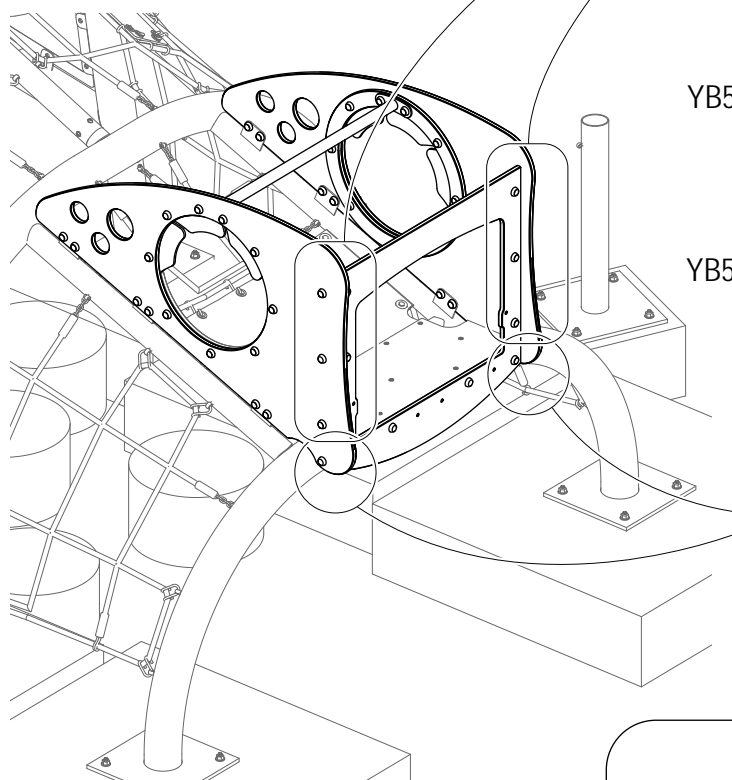
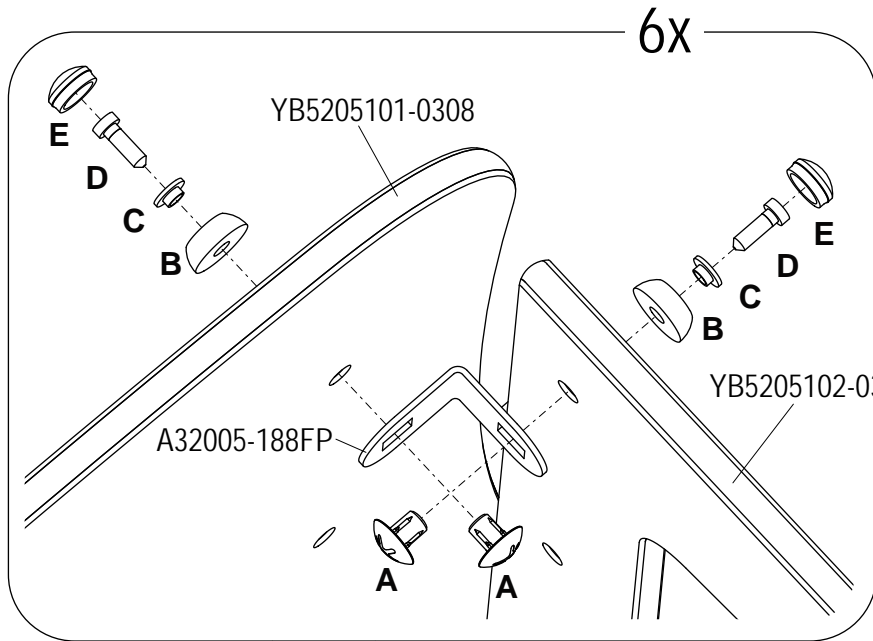


210100408025

E



A100-31



VKNS8500489 20230519 MatejS



A



400010-A2

B



701022

C



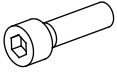
250101510020

D



A900215-06

E



911035

F



OBV-2610002

G



A10080-06

H

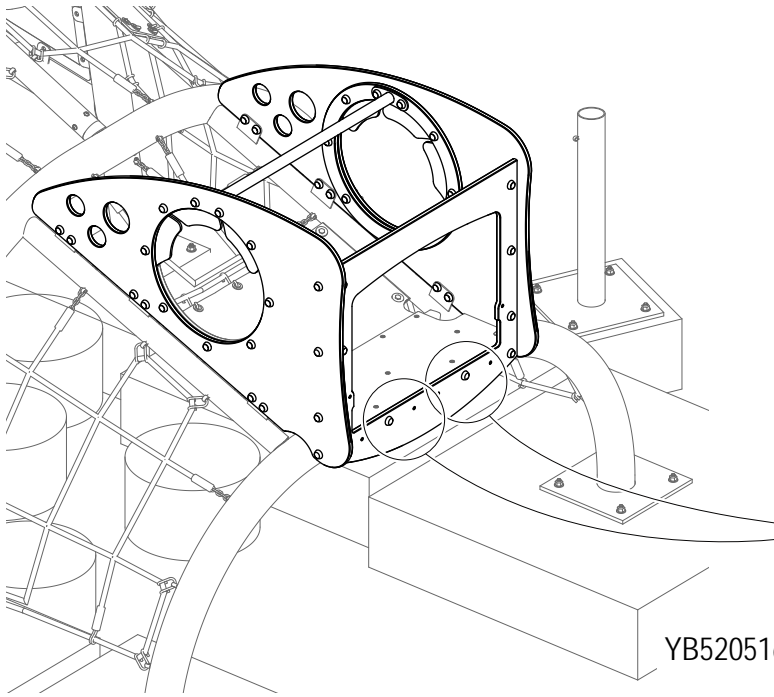


400210

I



A100-31



I 2x

D

TOP

C

YB5205169-0406

YA5205187-188FP

B

A

BOTTOM

II 2x

E

F

YB5205102-0311

YB5205169-0406

G

H

I



A



A170036-52

B



321300708020

C



910820

D



250100408040

E

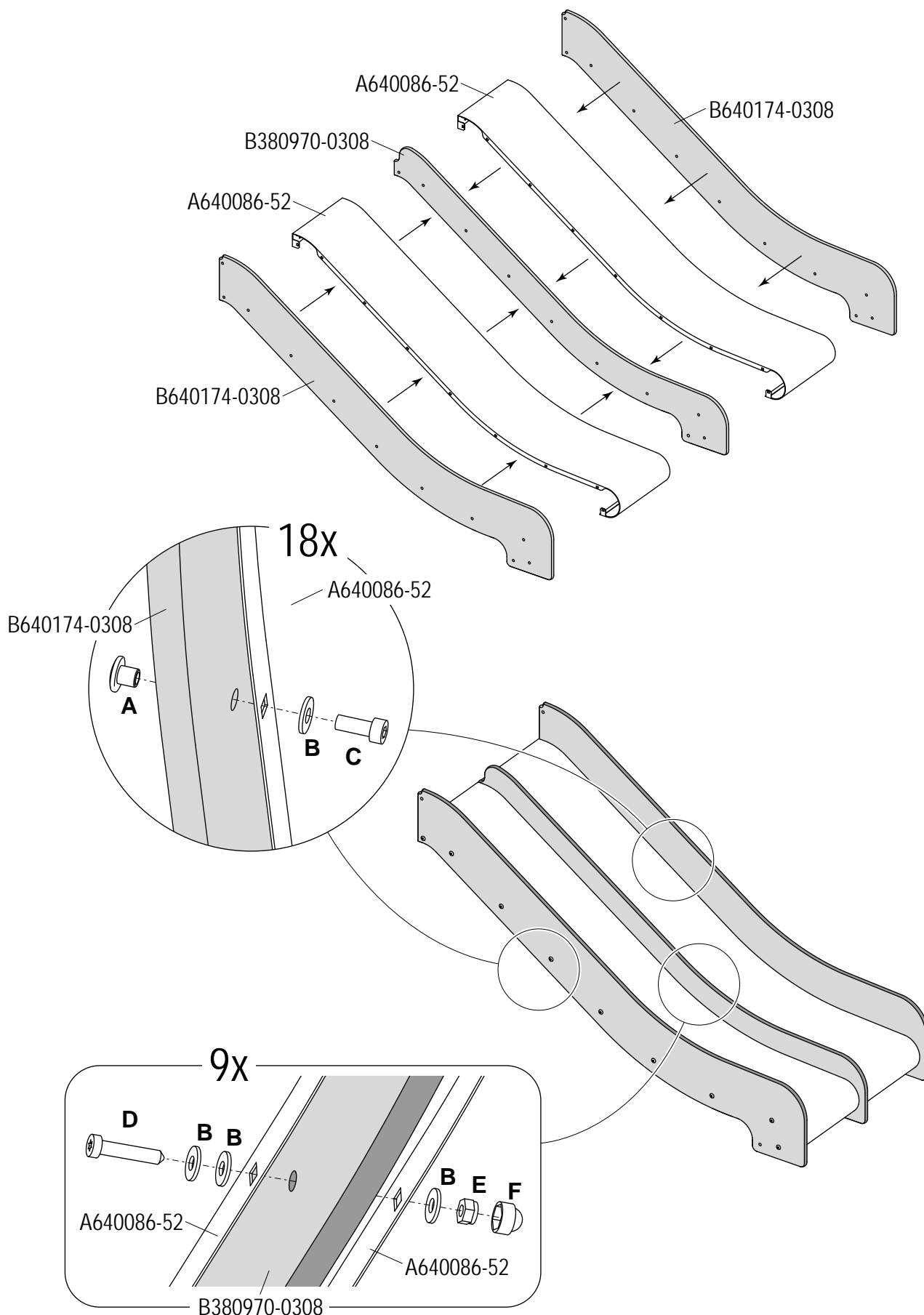


400108

F



OKU-ADM0805





A



A280082-52

B



701424

C



701023

D

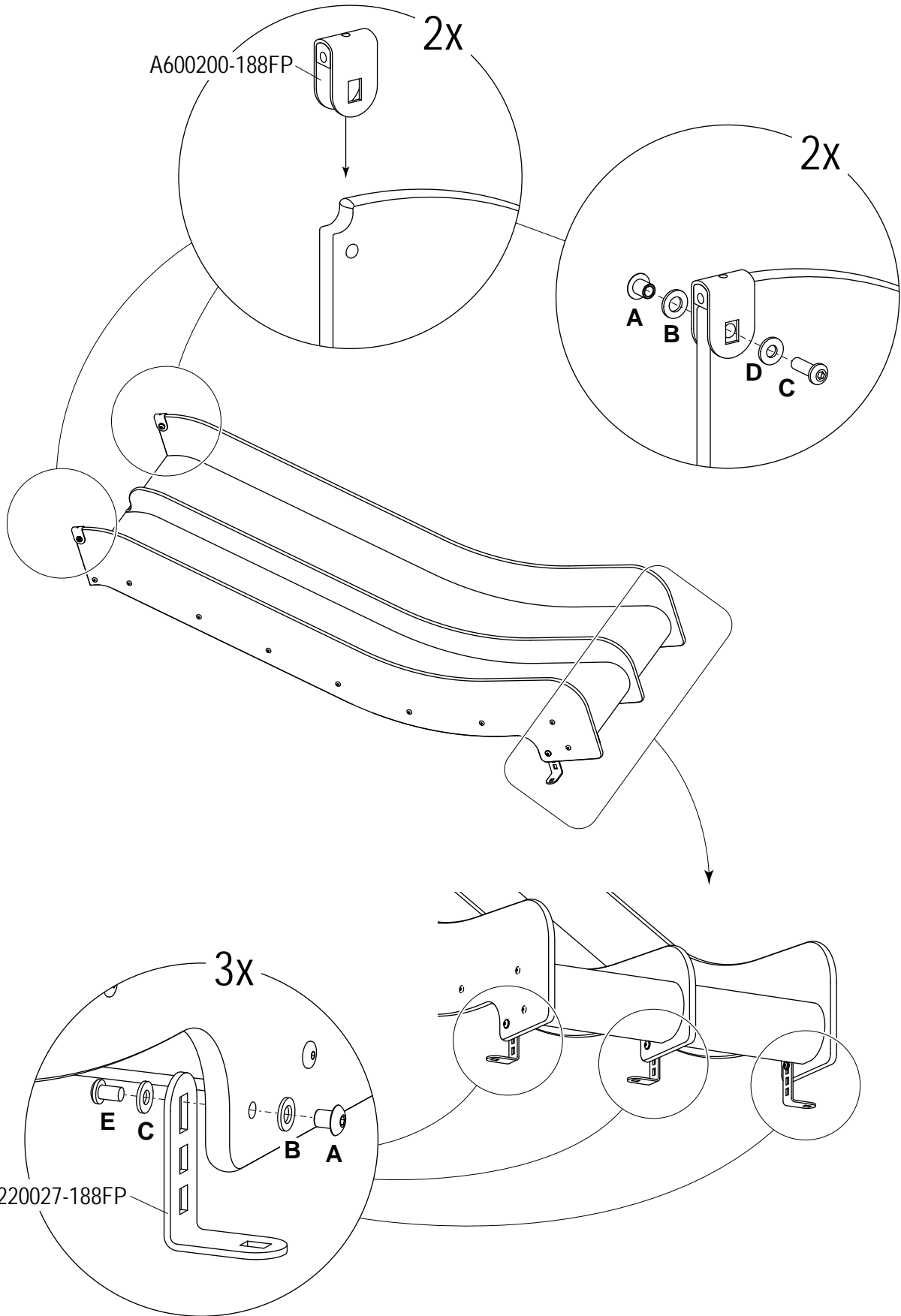


601030-A2

E



601016-A2



A220027-188FP



A



701023

B



601030

C



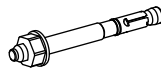
400212

D



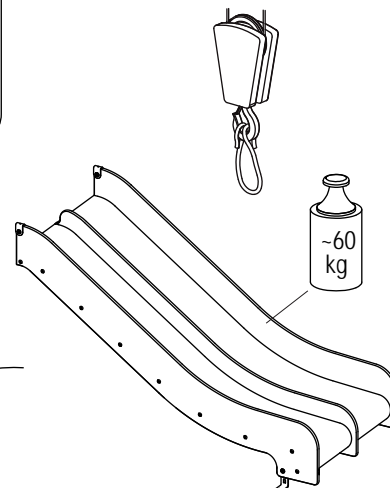
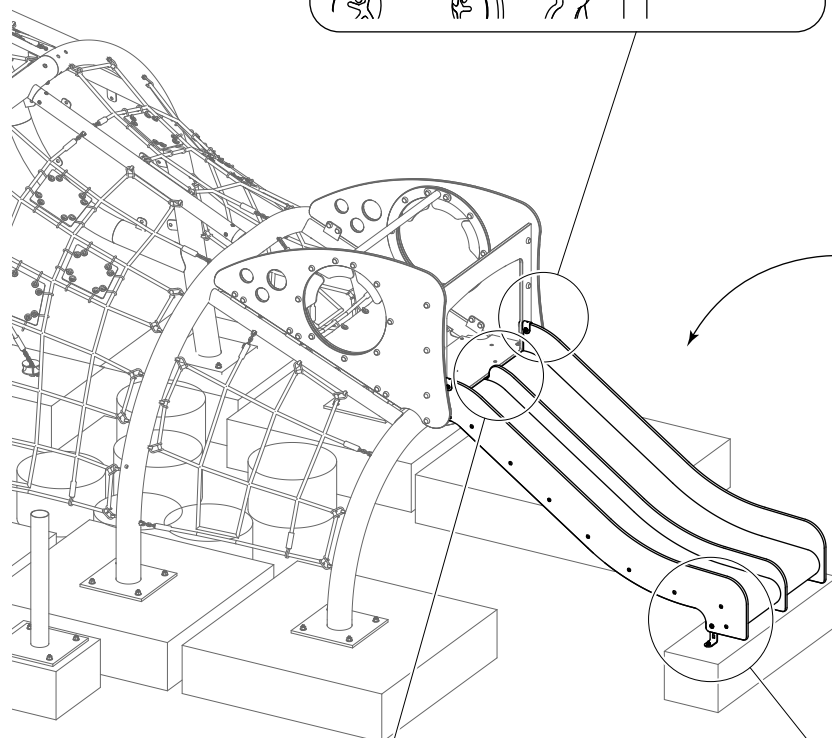
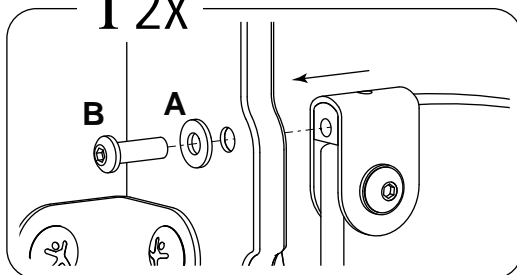
601020-A2

E

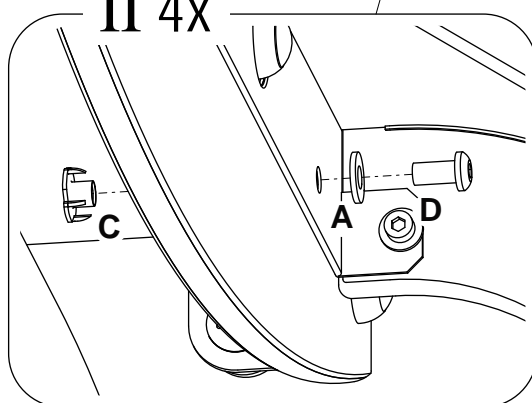


400707912110

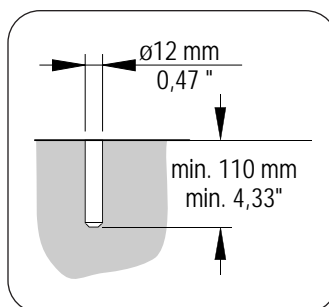
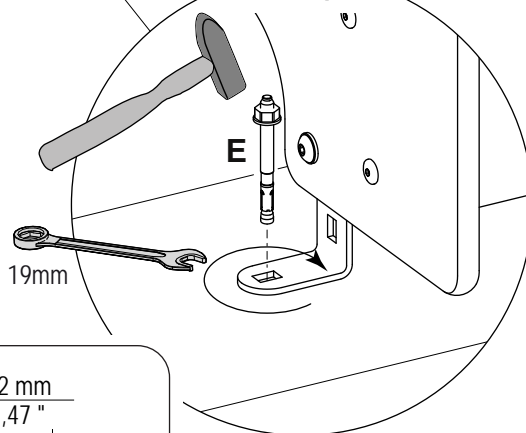
I 2x



II 4x



III 3x



M12x110 (FAZ II 12/20 R)
400707912110



A



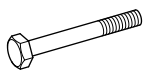
YA5205137-06

B



A10080-06

C



210075

D

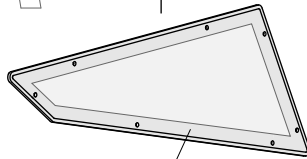
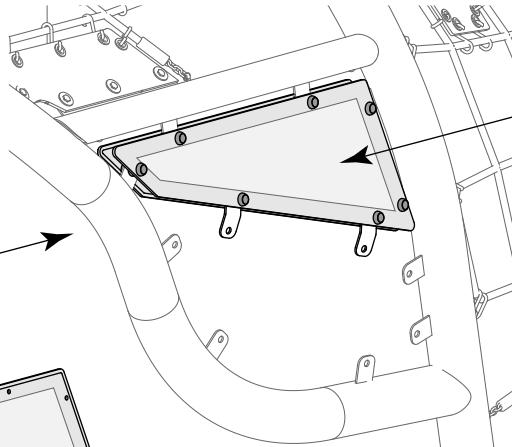
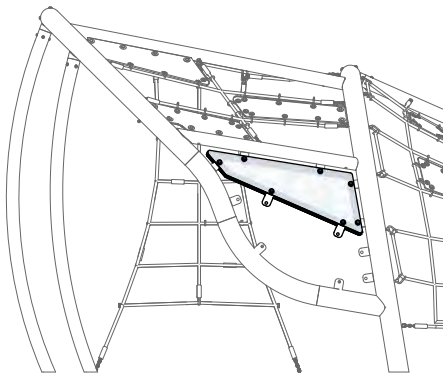


400210

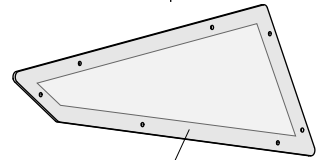
E



A100-31



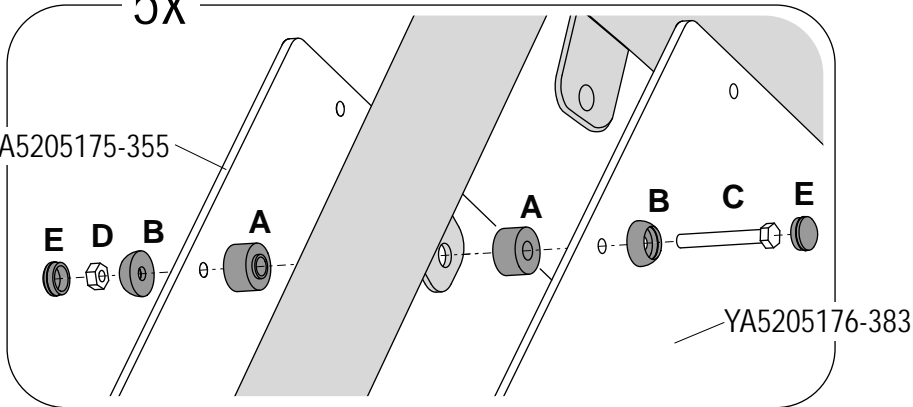
YA5205175-355



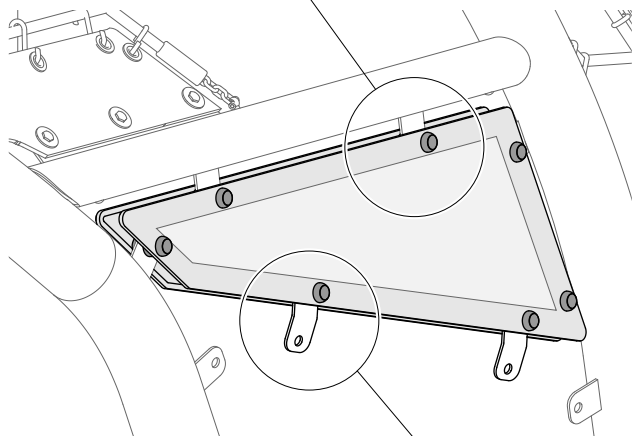
YA5205176-383

5x

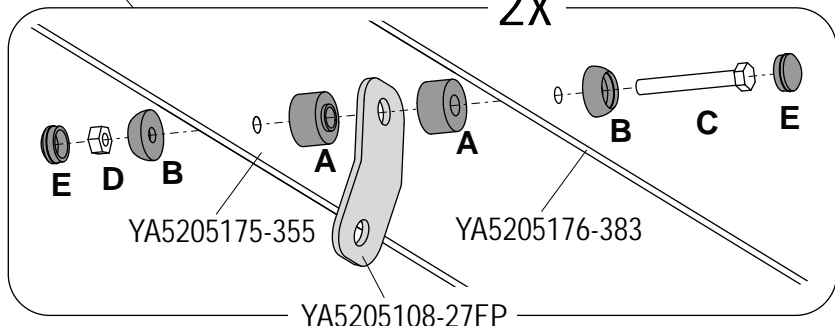
YA5205175-355



YA5205176-383



2x



YA5205175-355

YA5205176-383

YA5205108-27FP



A



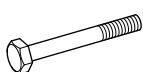
YA5205137-06

B



A10080-06

C



210075

D



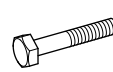
400210

E

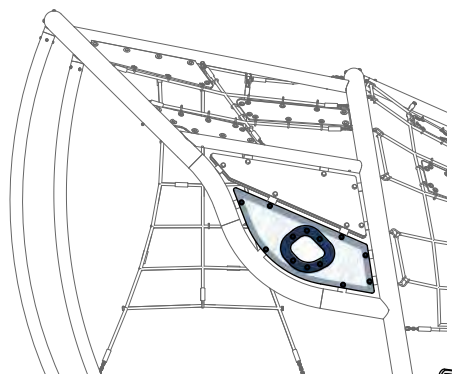


A100-31

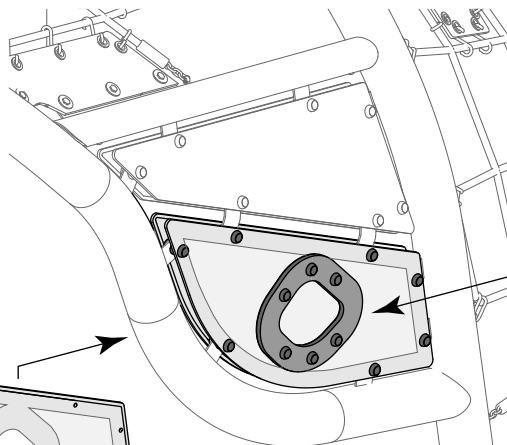
F



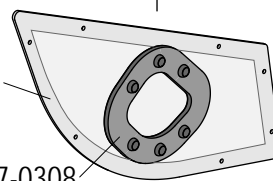
210045



YA5205171-355



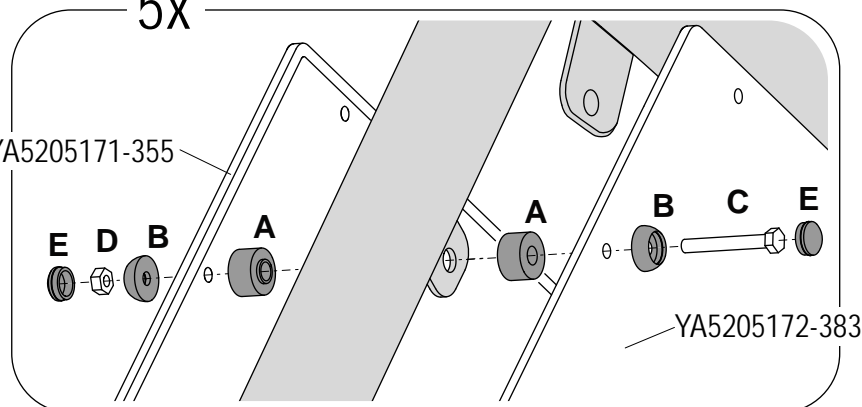
YA5205172-383



YB5205107-0308

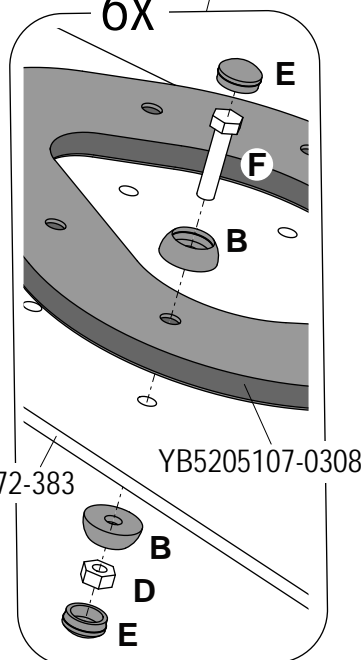
5x

YA5205171-355

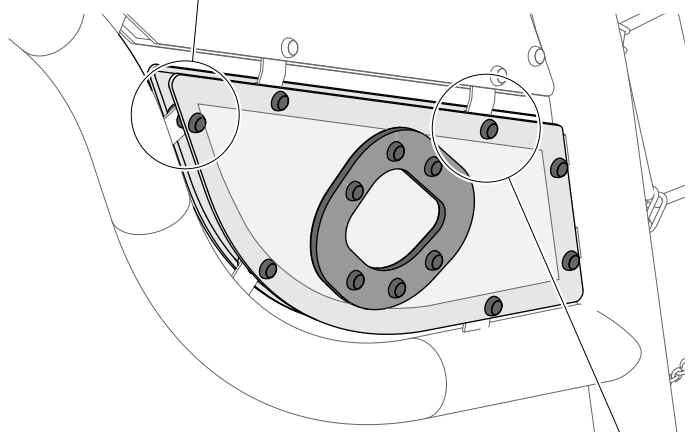


YA5205172-383

6x

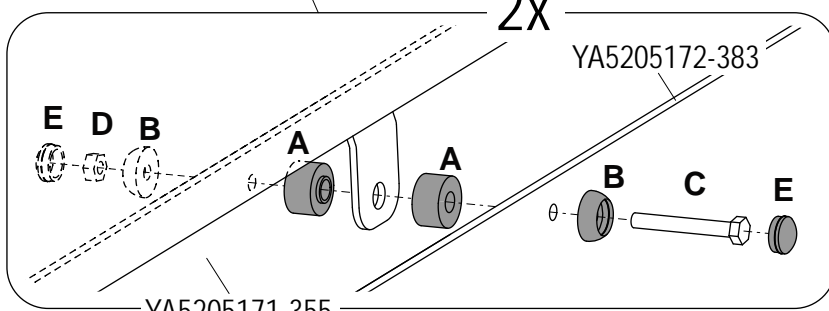


YB5205107-0308



YA5205172-383

2x



YA5205172-383

YA5205171-355



A



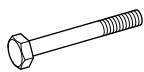
YA5205137-06

B



A10080-06

C



210075

D

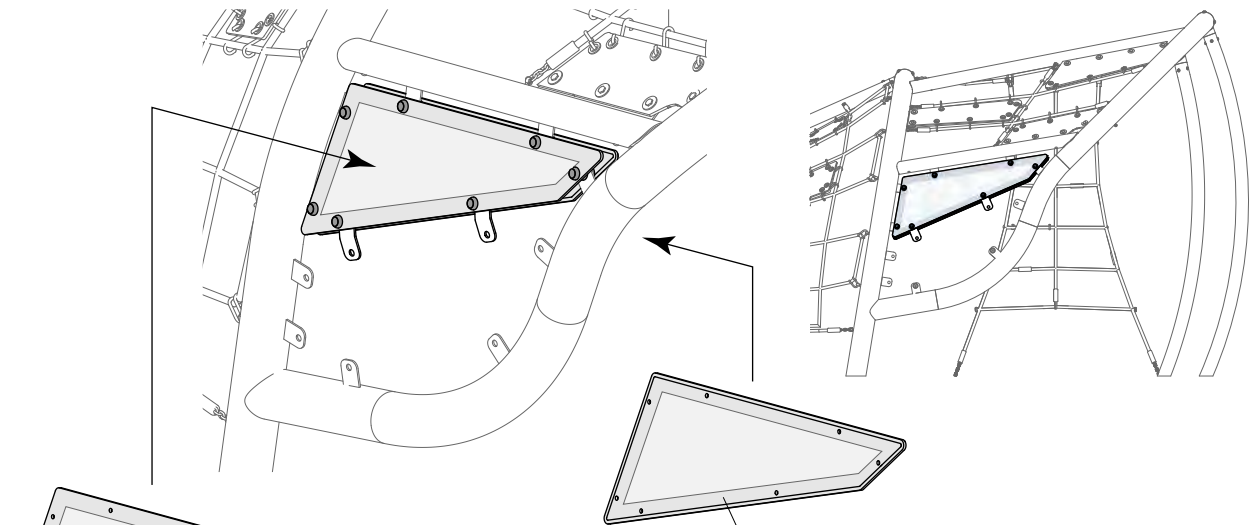


400210

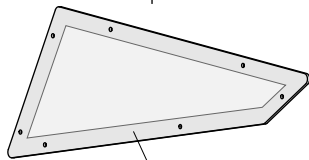
E



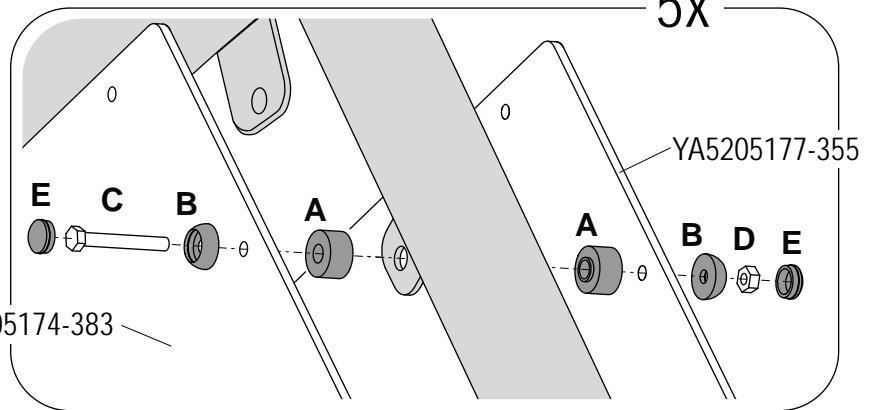
A100-31



YA5205177-355



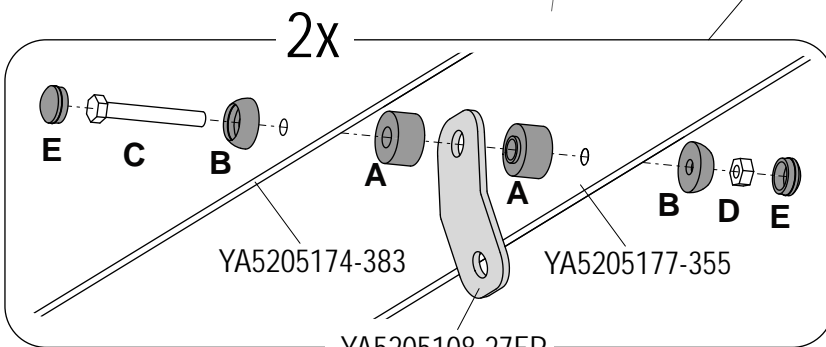
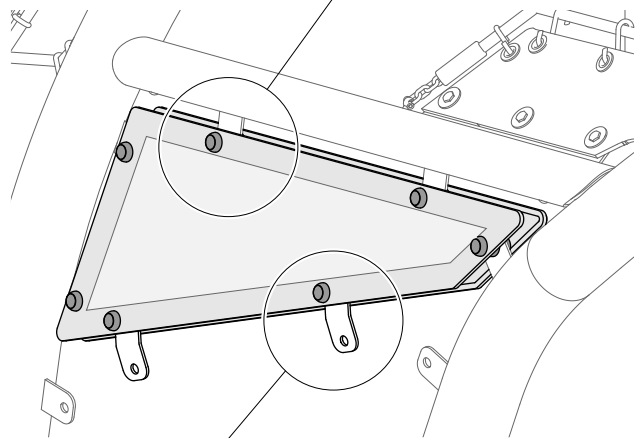
YA5205174-383



5x

YA5205174-383

YA5205177-355



2x

YA5205174-383

YA5205177-355

YA5205108-27FP



A



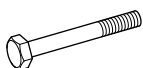
YA5205137-06

B



A10080-06

C



210075

D



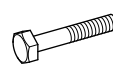
400210

E

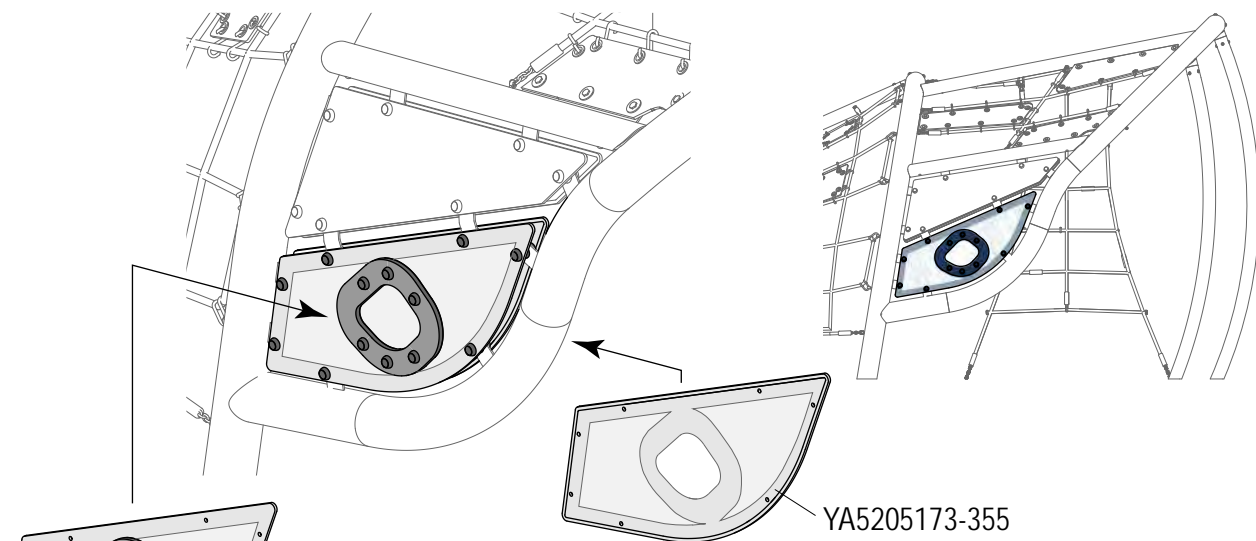


A100-31

F



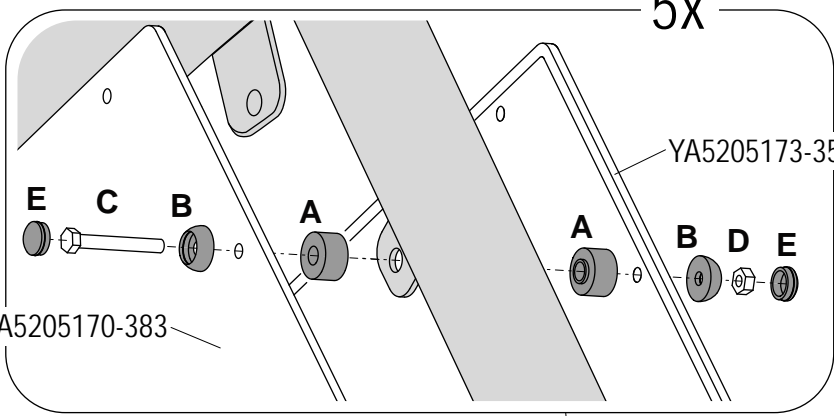
210045



YA5205170-383

YA5205173-355

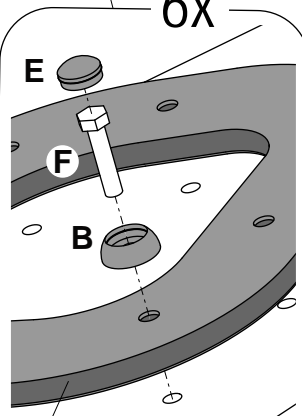
5x



YA5205173-355

YA5205170-383

6x



E

F

B

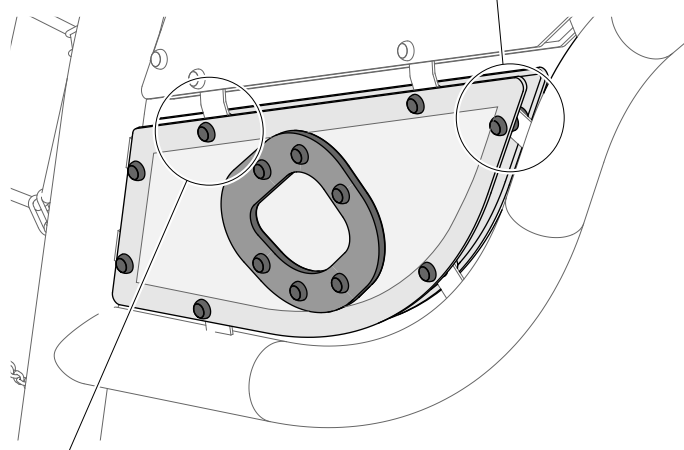
YB5205107-0308

YA5205170-383

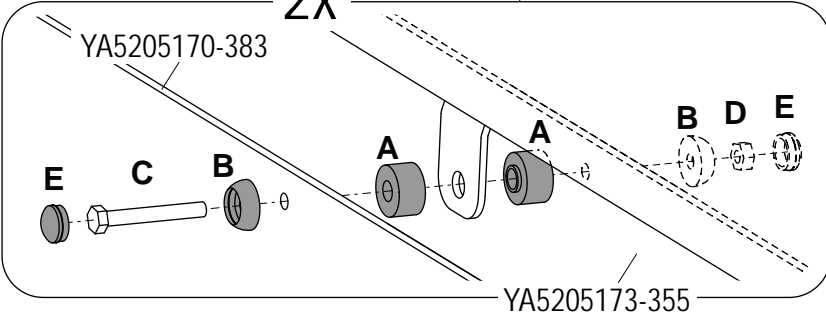
B

D

E



2x



YA5205170-383

E

C

B

A

A

B

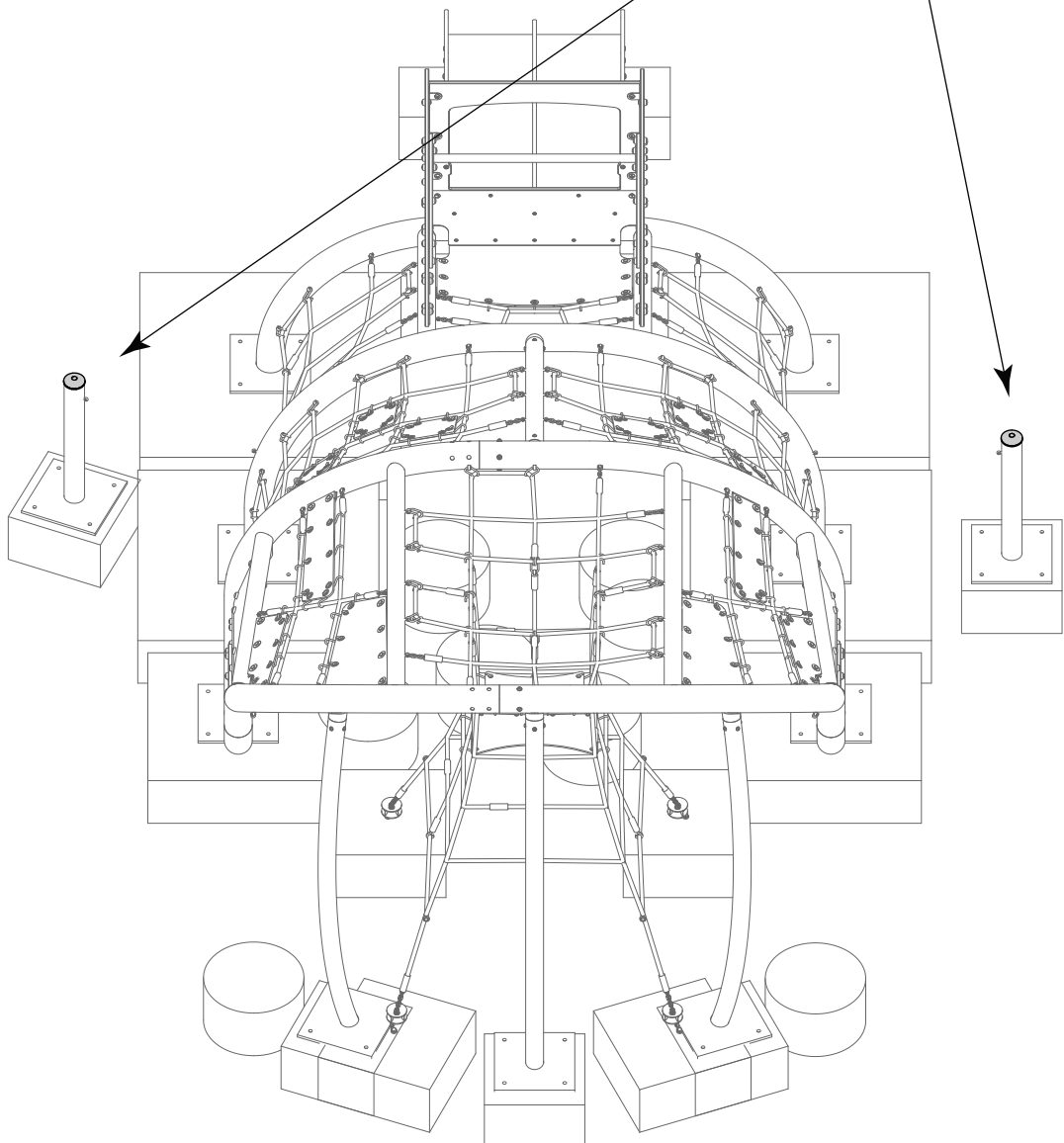
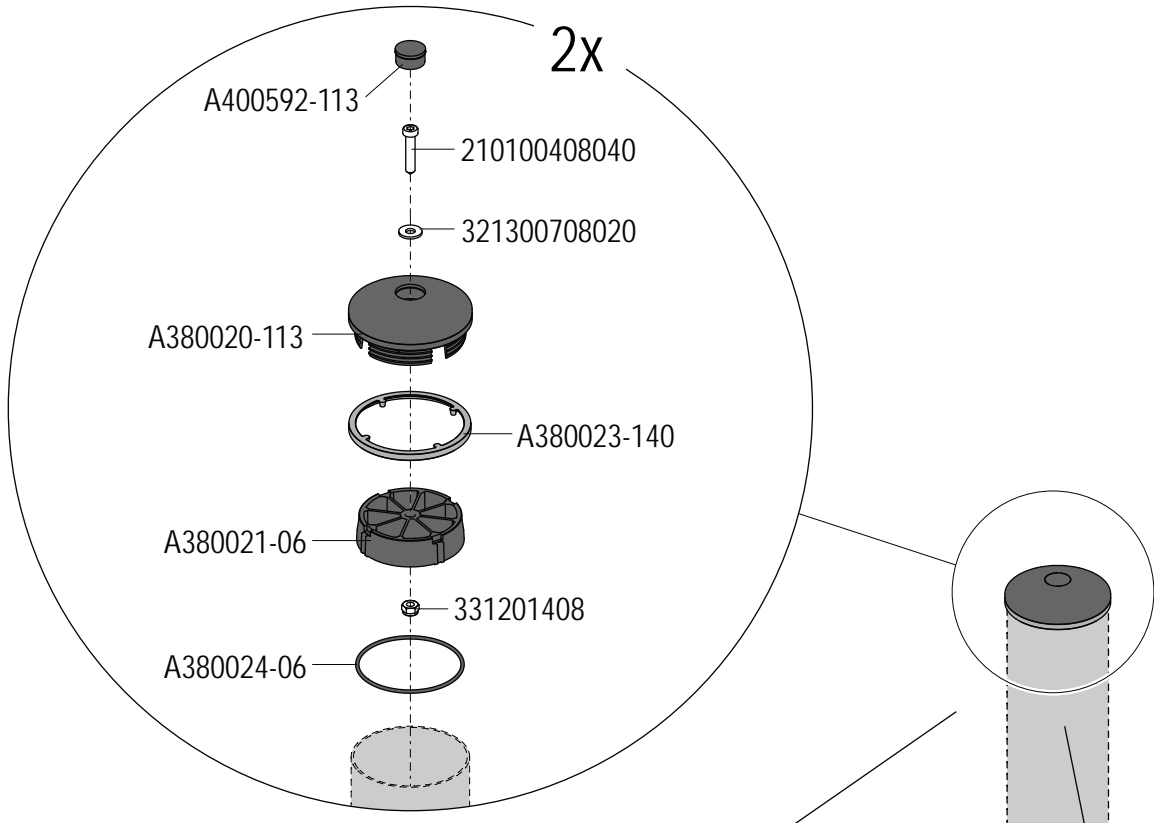
D

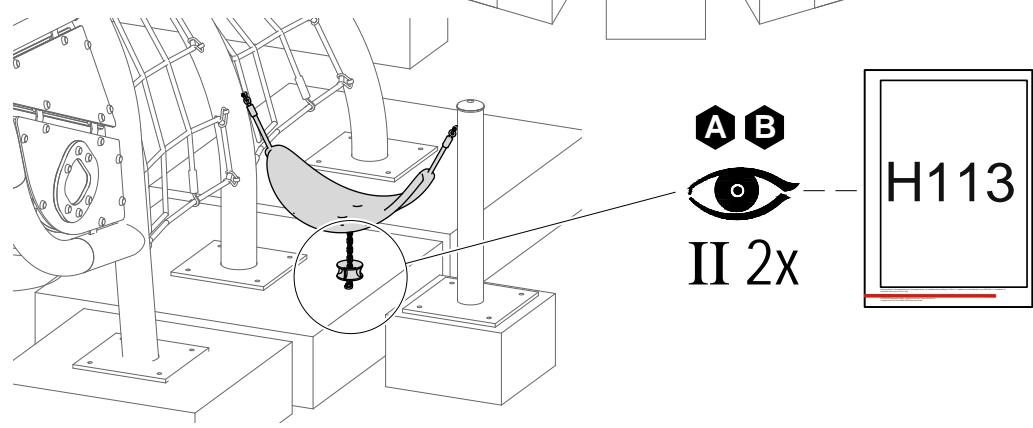
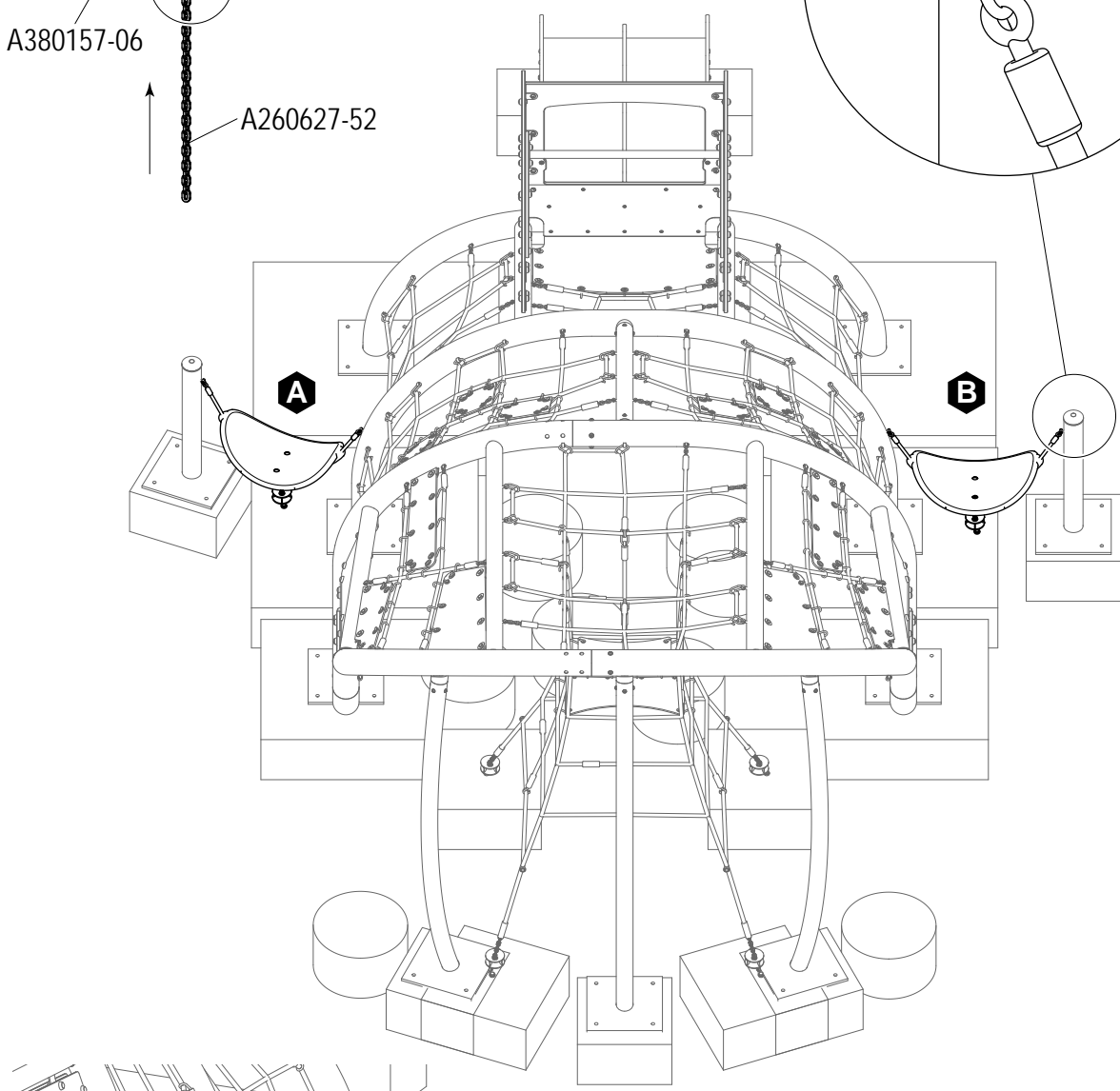
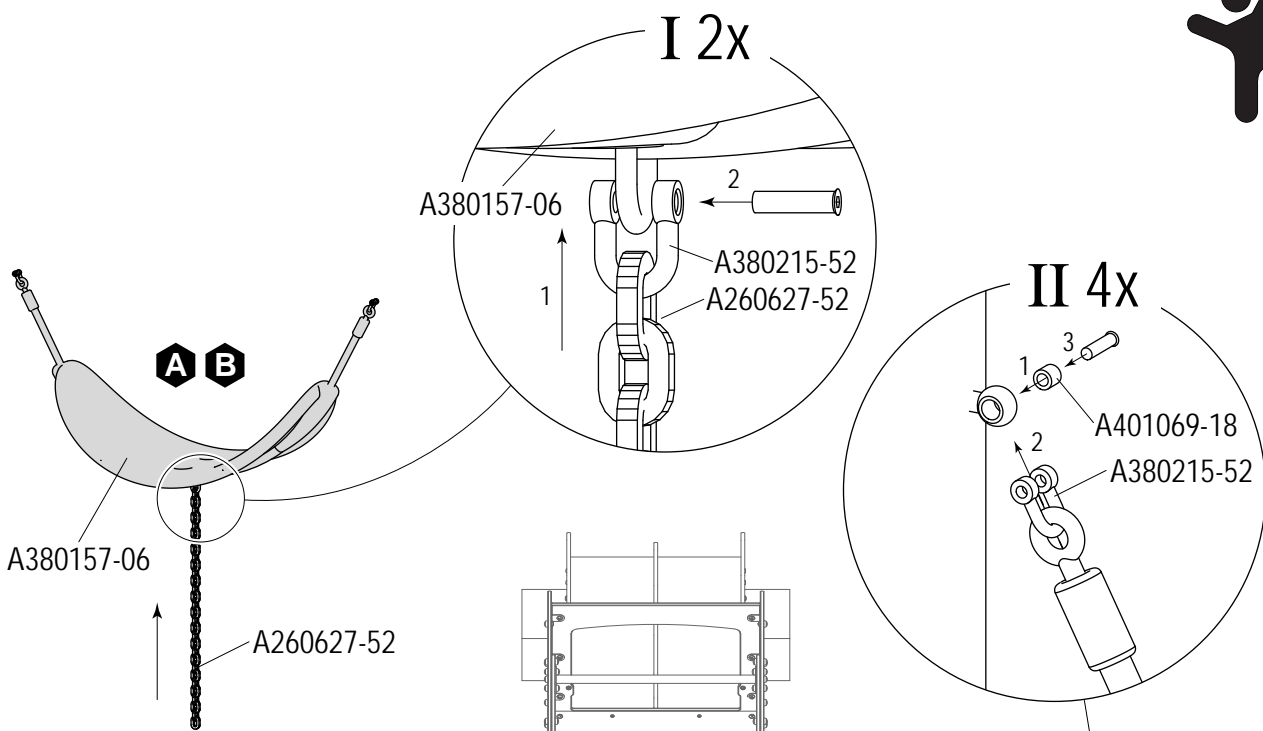
E

YA5205173-355

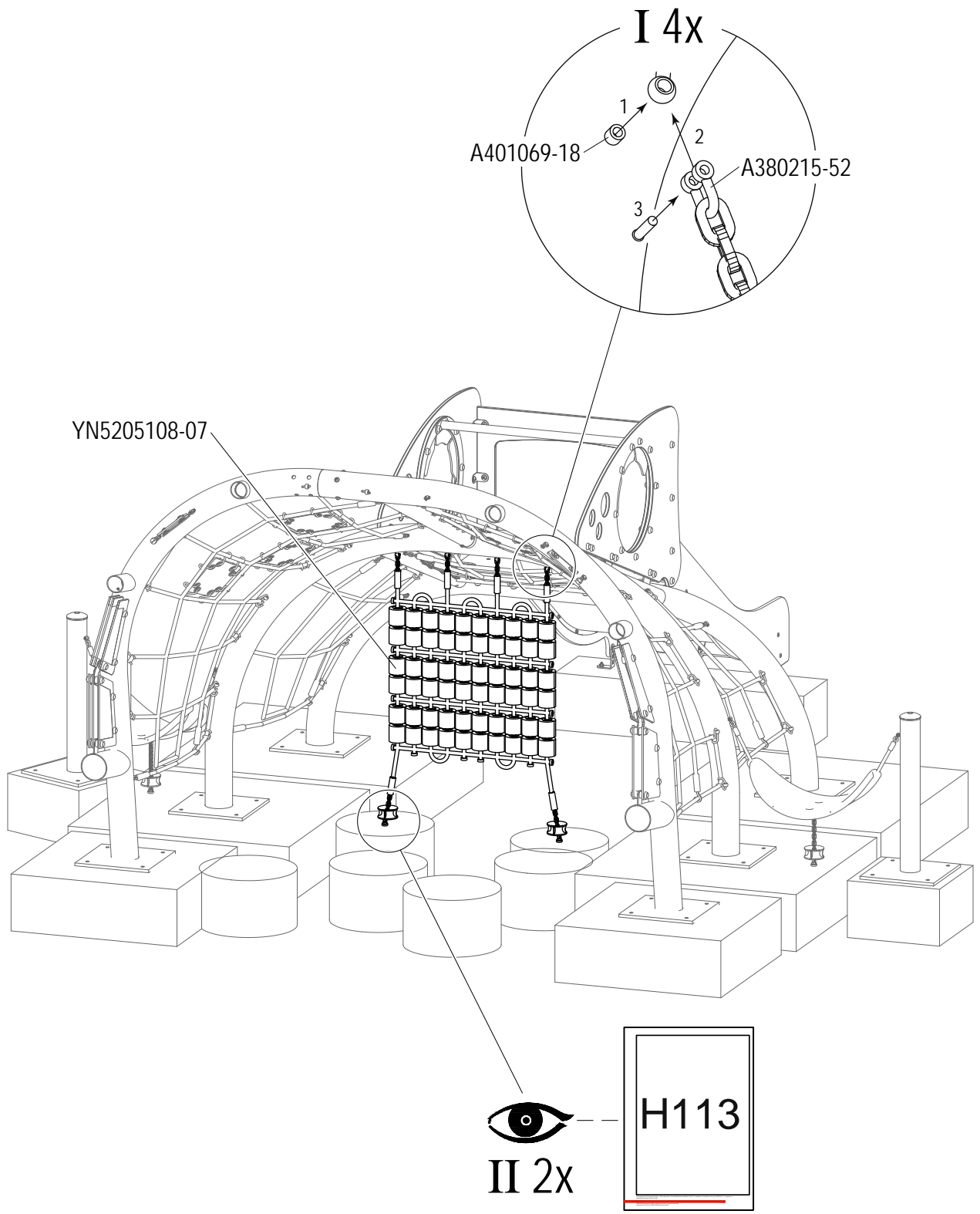
VKNS8500489 20230519 MatejS

Copyright©KOMPAN A/S





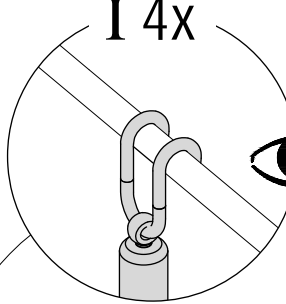
VKNS8500489 20230519 MatejS



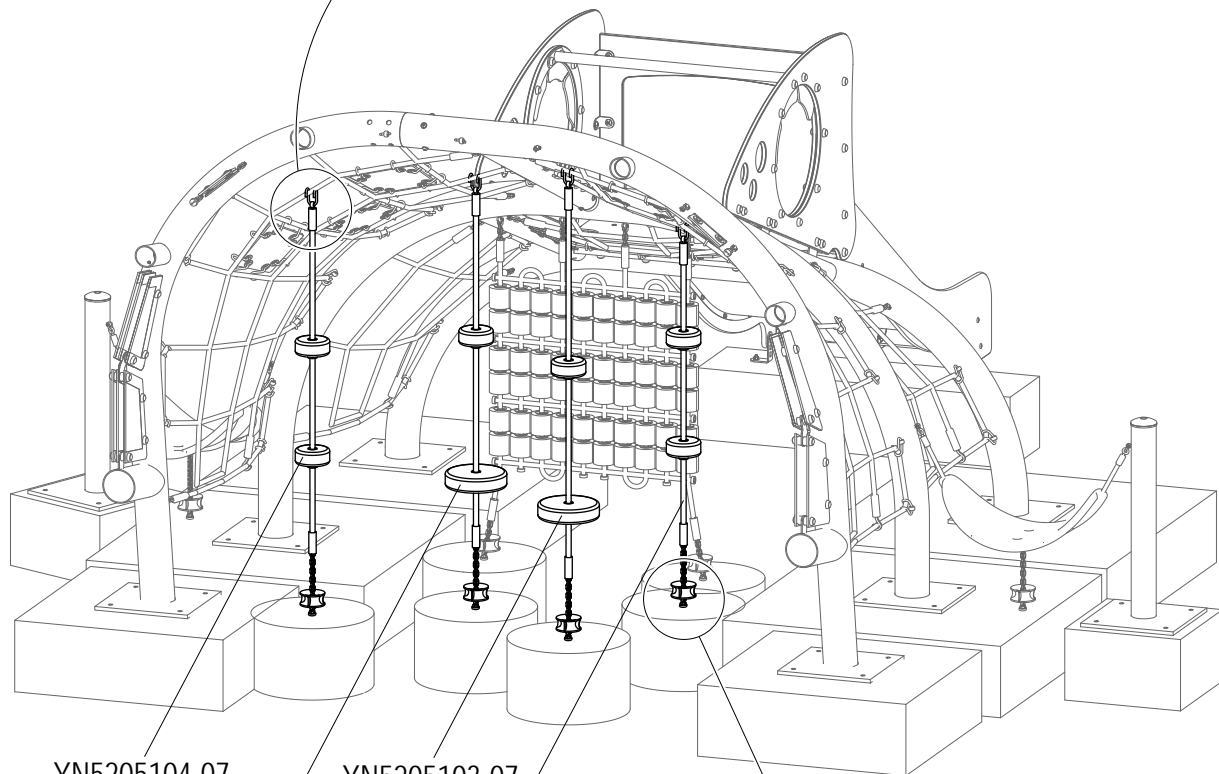
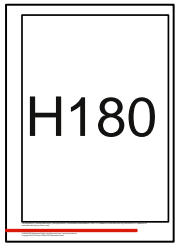
VKNS8500489 20230519 MatejS



I 4x



H180



YN5205104-07

YN5205103-07

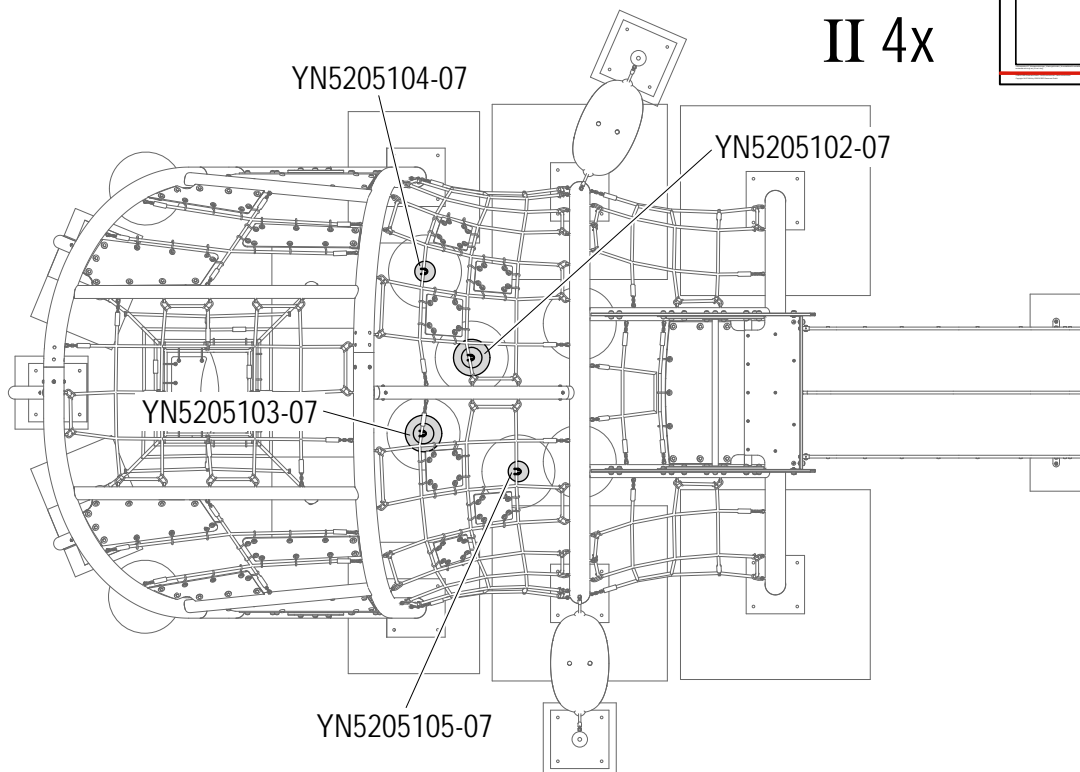
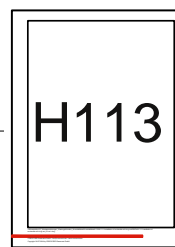
YN5205102-07

YN5205105-07



II 4x

H113

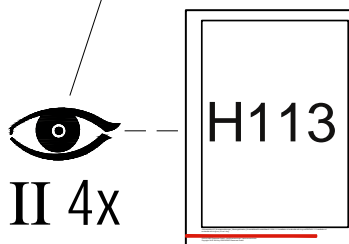
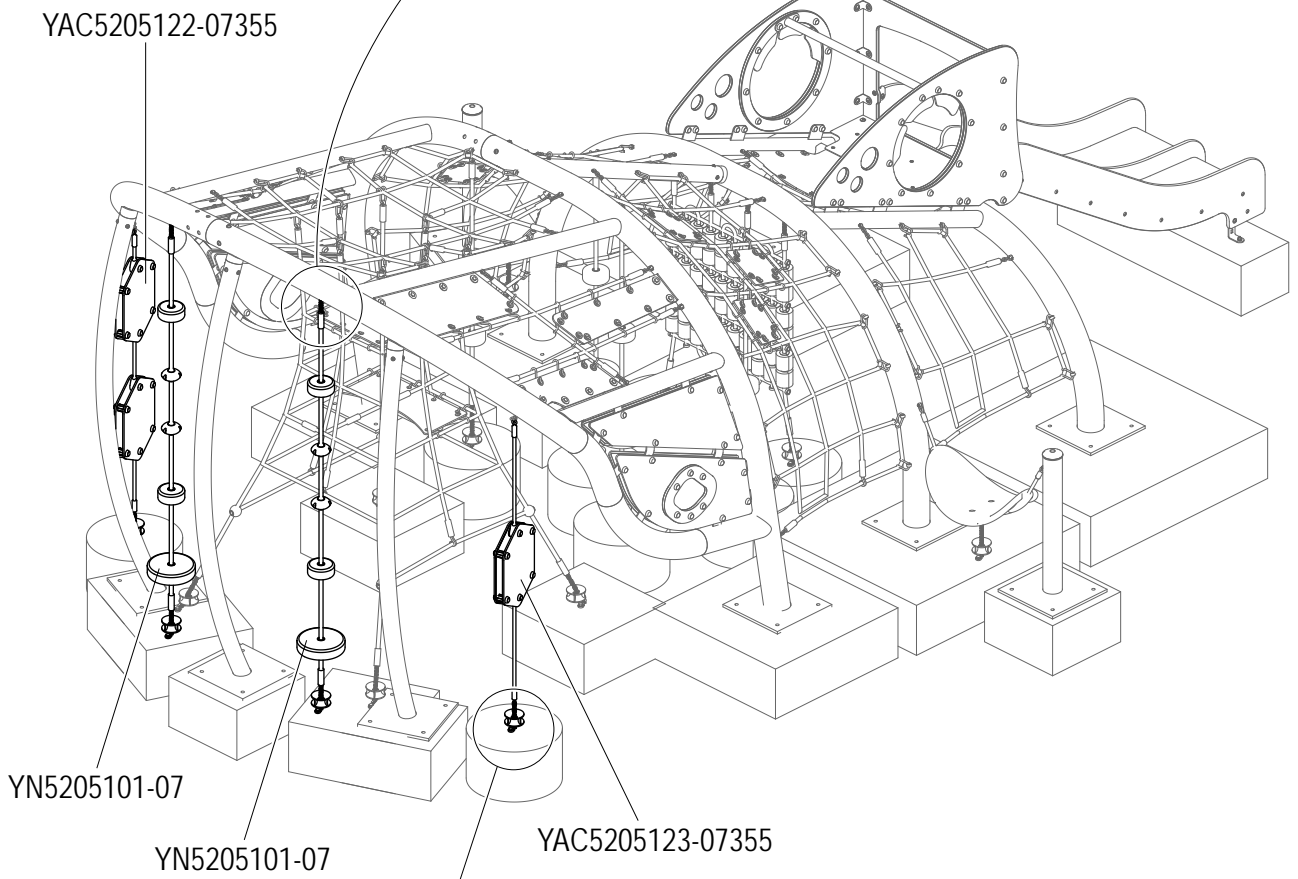
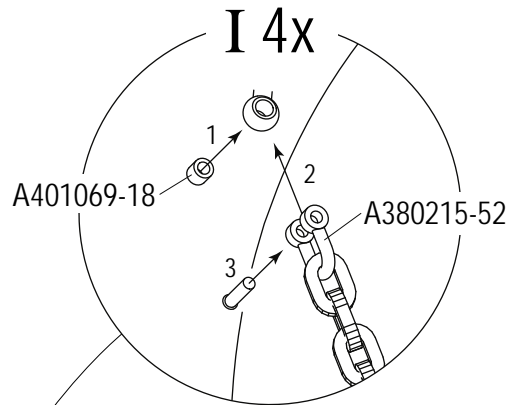


YN5205104-07

YN5205102-07

YN5205103-07

YN5205105-07





A



A100-42

B



A10089-18

C



833011008025

D

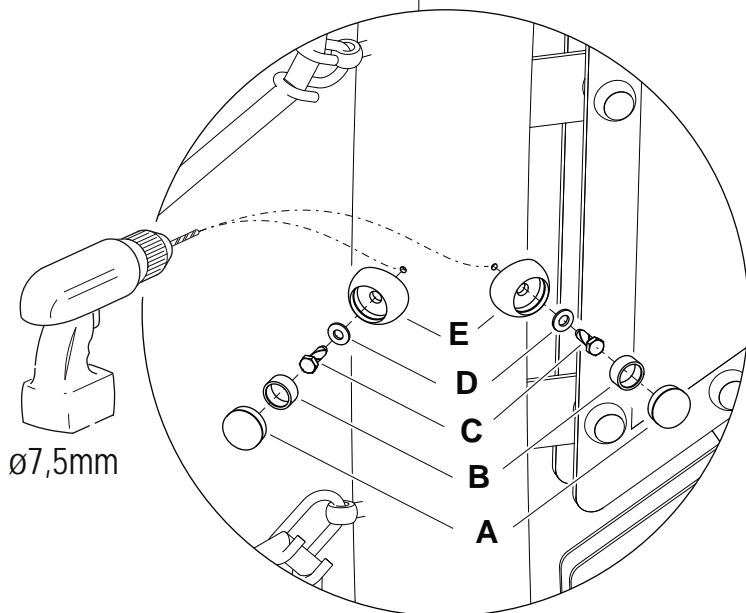
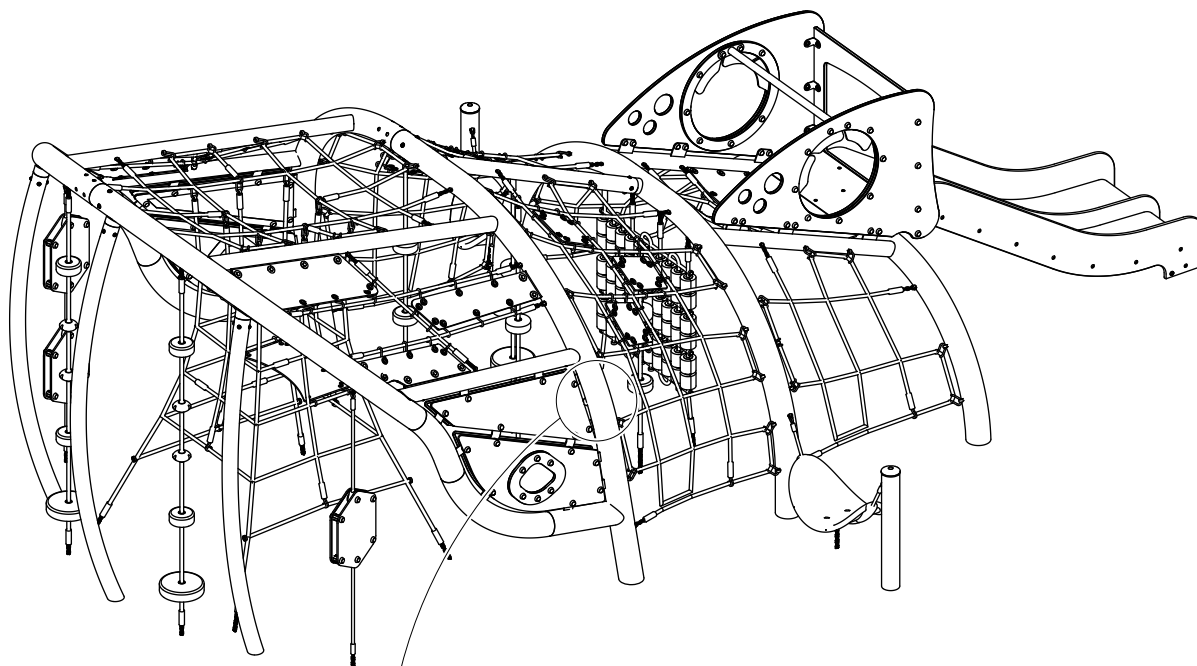


201301008016

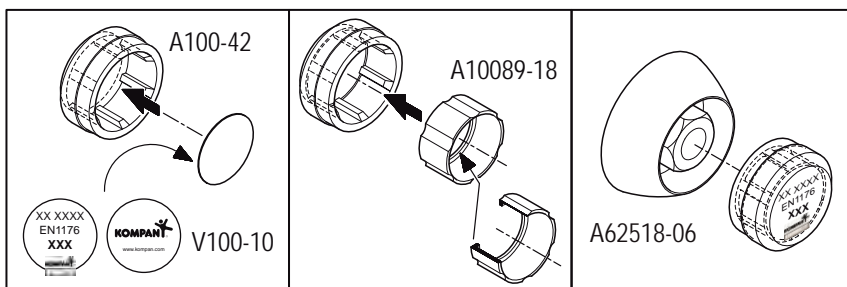
E



A62518-06



$\varnothing 7,5\text{mm}$



A100-42

A10089-18

A62518-06

V100-10